

## **Section 8**

**75103-xx**

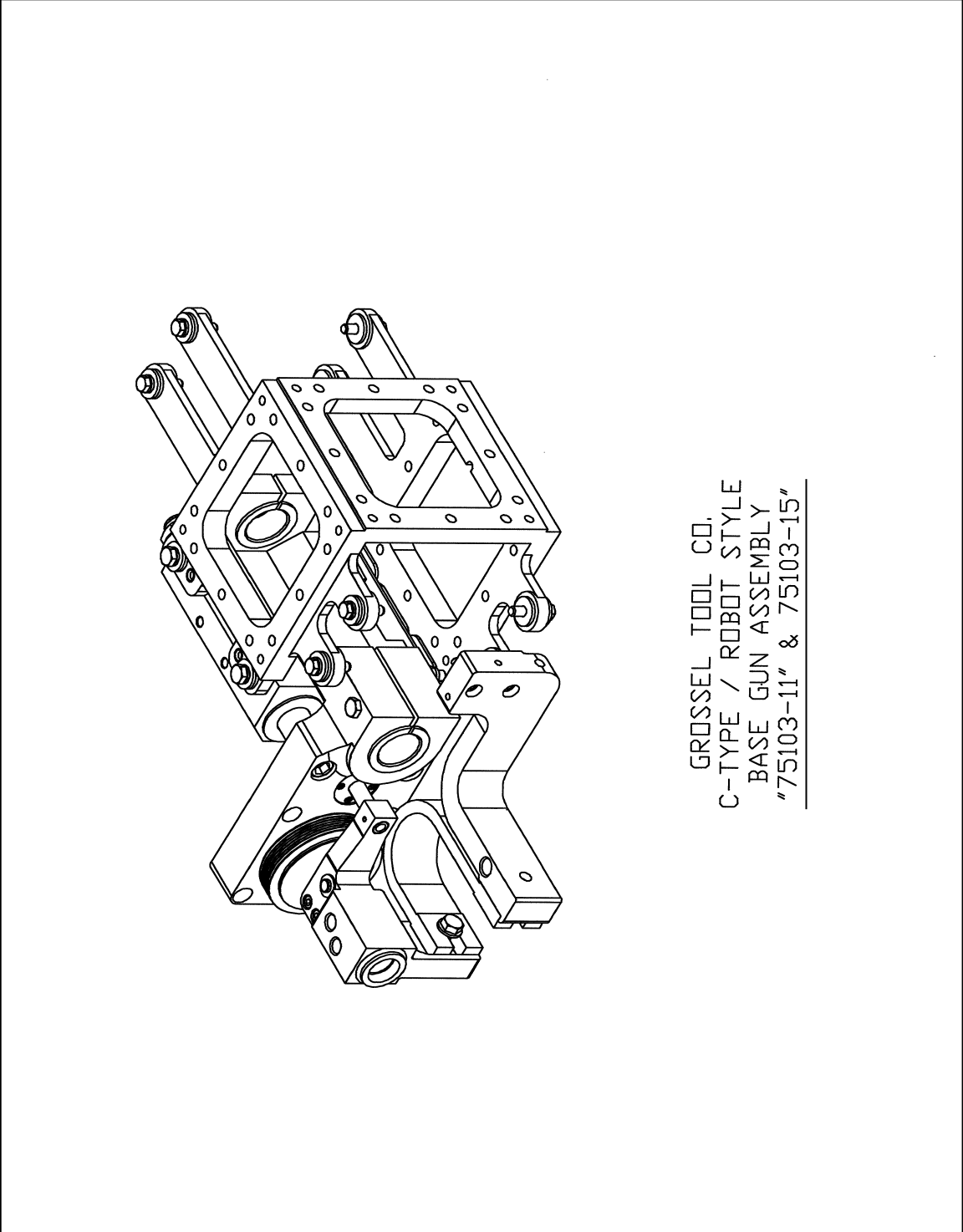
**C Type Base Gun**



## 75103 Print List

<u>Print</u>	<u>Page</u>
<b>1. C-Type Base Gun Assembly-Cover.....</b>	<b>8-3</b>
<b>2. C-Type Base Gun Assembly.....</b>	<b>8-4</b>
<b>3. Moveable Arm Assembly.....</b>	<b>8-5</b>
<b>4. 35043 Pin Assembly.....</b>	<b>8-6</b>
<b>5. Mounting Bracket Assembly.....</b>	<b>8-7</b>
<b>6. Stationary Equalizer Assembly.....</b>	<b>8-8</b>
<b>7. 88016 Equalizer Assembly Sht-1.....</b>	<b>8-9</b>
<b>8. 88016 Equalizer Assembly Sht-2.....</b>	<b>8-10</b>
<b>9. 99016 Rod Boot Assembly.....</b>	<b>8-11</b>

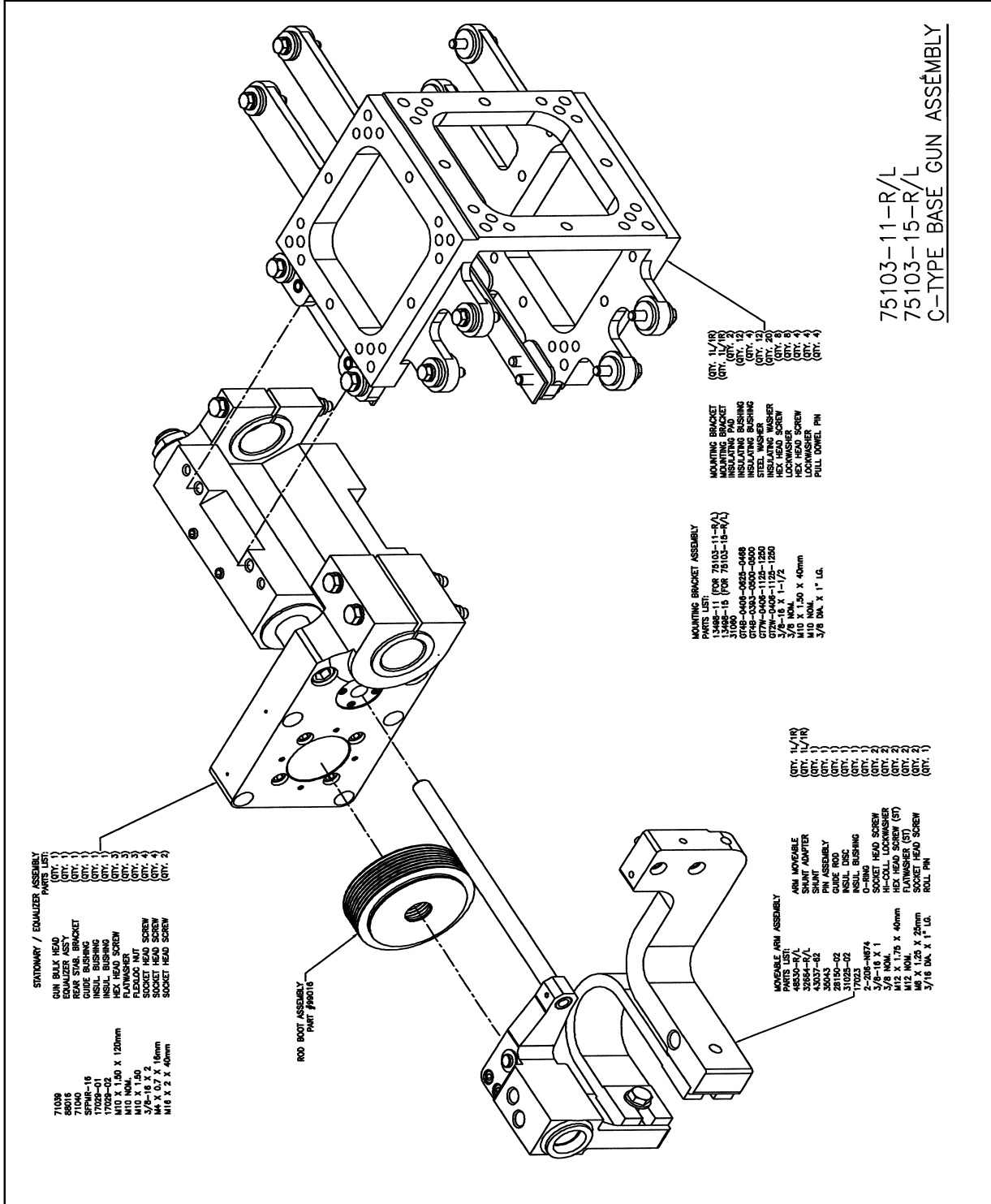


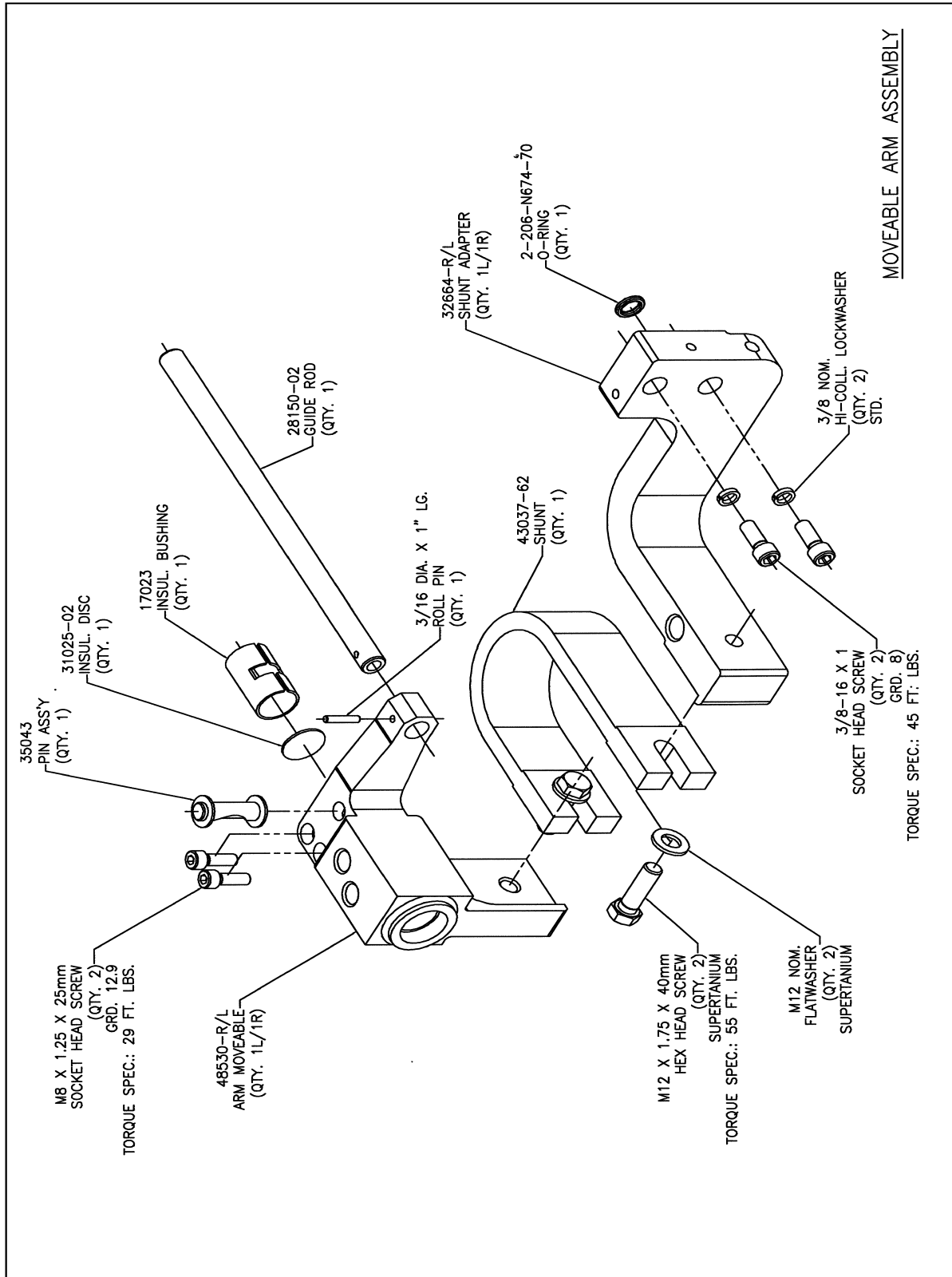


GROSSEL TOOL CO.  
C-TYPE / ROBOT STYLE  
BASE GUN ASSEMBLY  
"75103-11" & 75103-15"

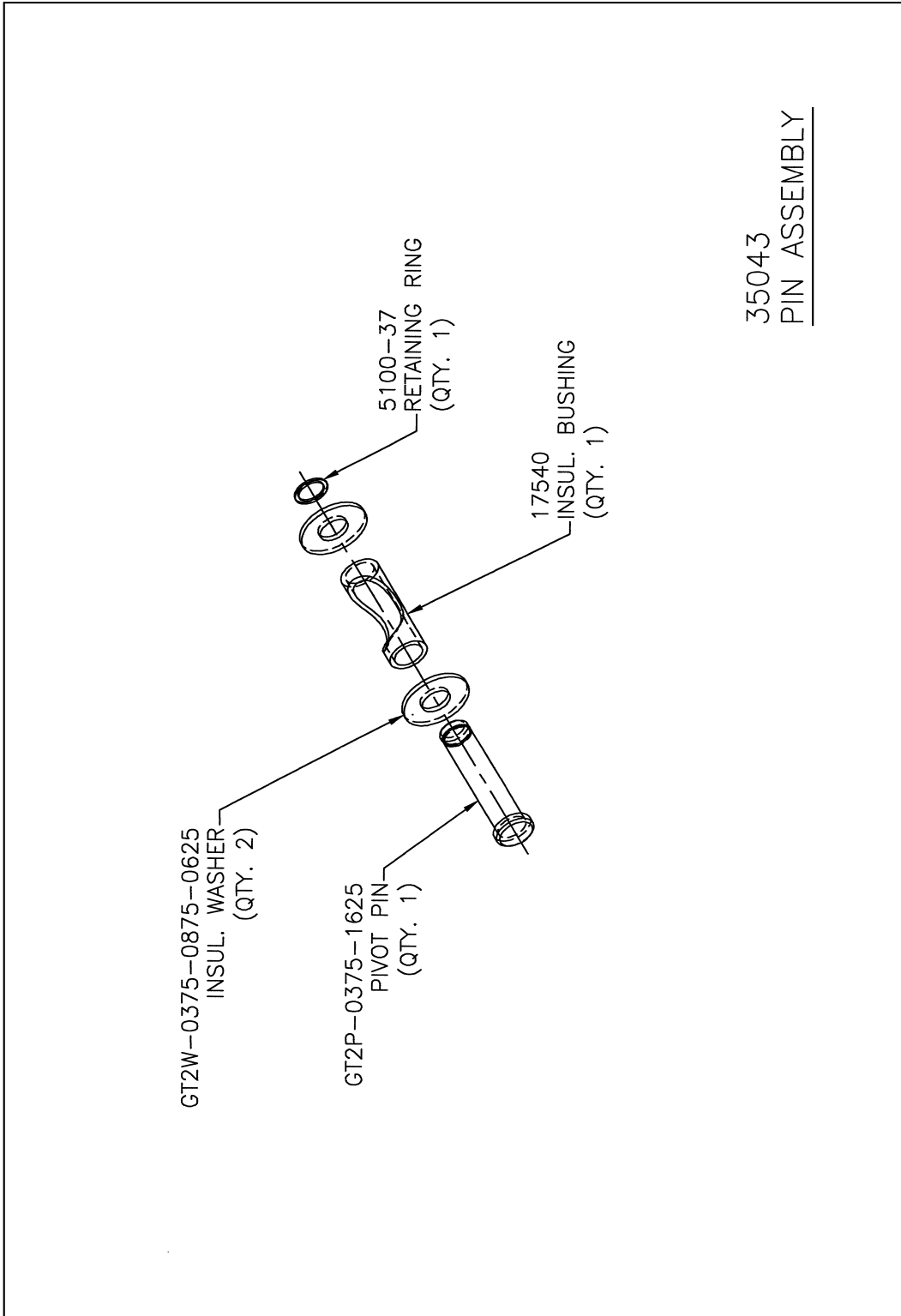
# Grossel Tool Modular Base Gun Assembly MANUAL

## SECTION 8: 75103-XX



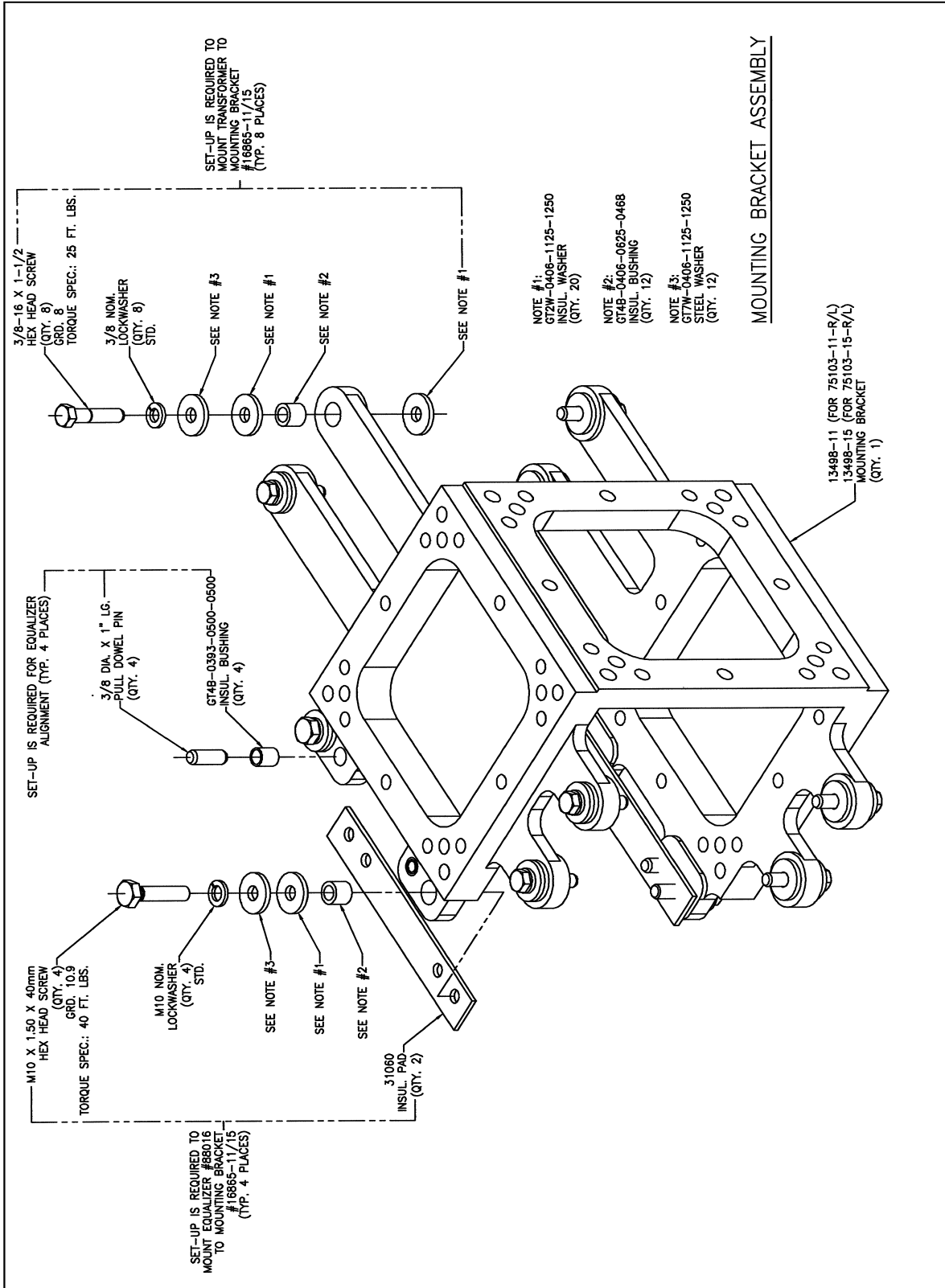


GROSSEI TOOL COMPANY



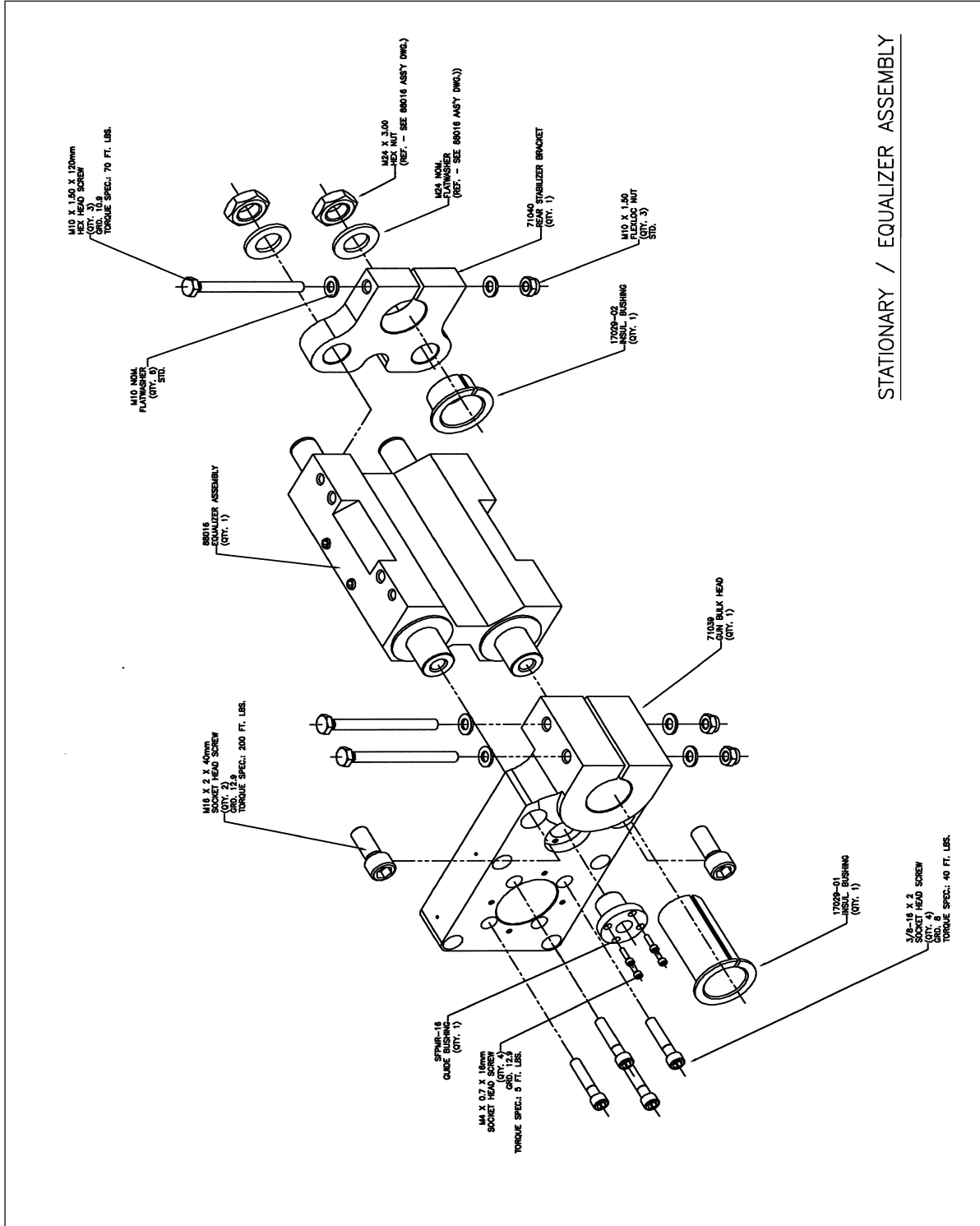
# Grossel Tool Modular Base Gun Assembly MANUAL

## SECTION 8: 75103-XX



Grossel Tool  
 Modular Base Gun Assembly MANUAL

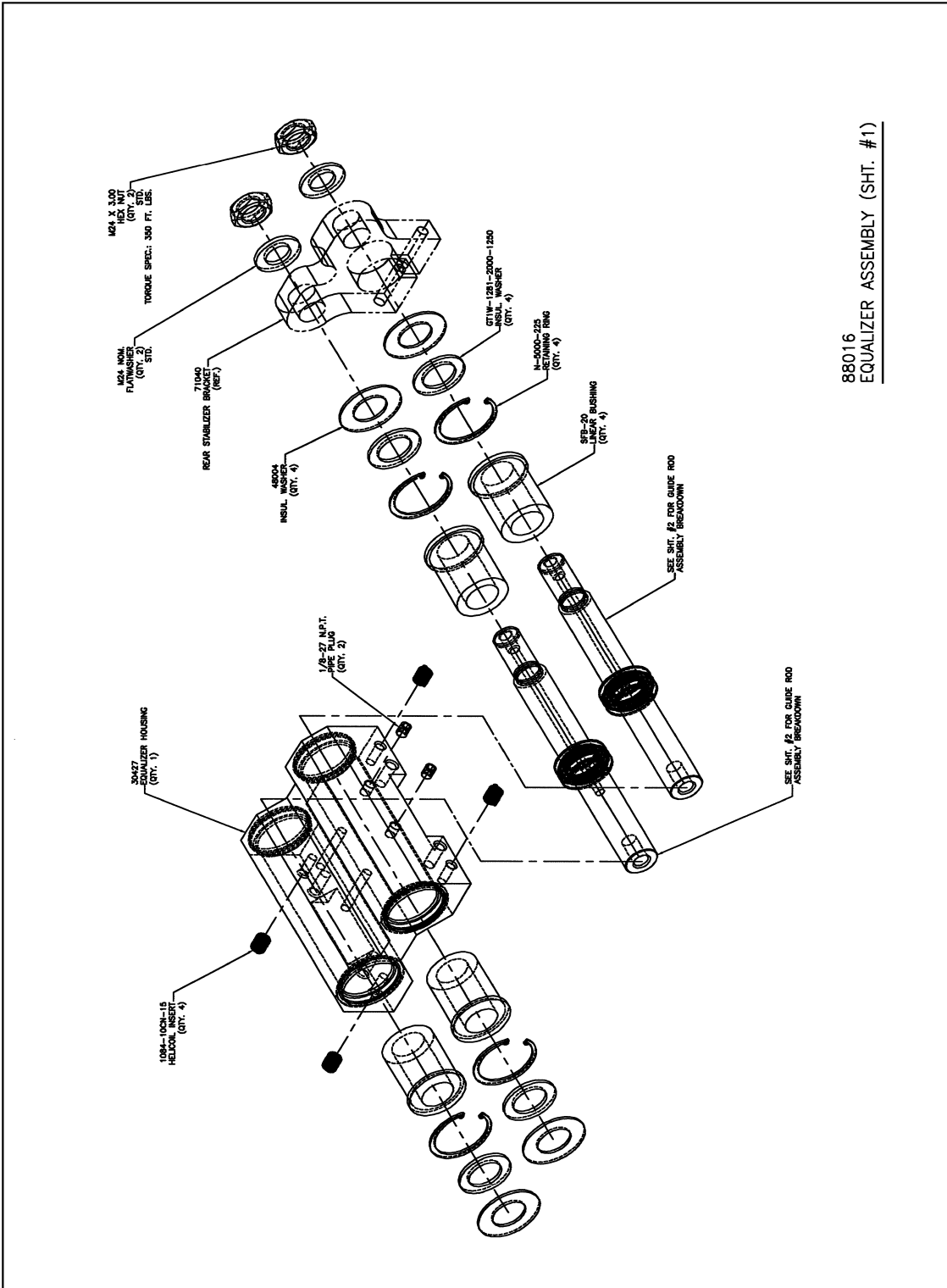
SECTION 8: 75103-XX

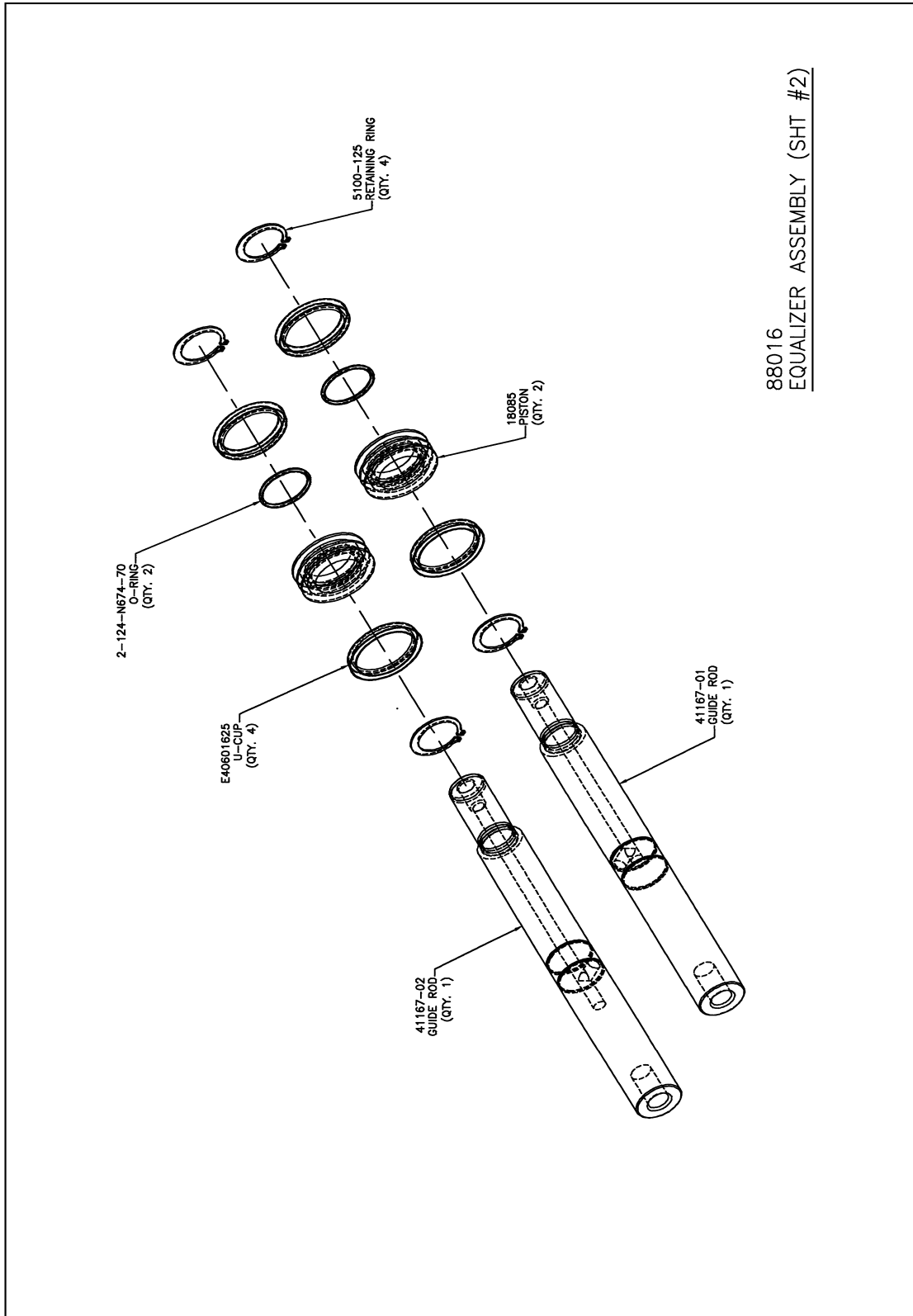


STATIONARY / EQUALIZER ASSEMBLY









GROSSEL TOOL COMPANY

