

Section 6

75086-xx

**Scissor Type / Robot Style
Base Gun**



75086 Print List

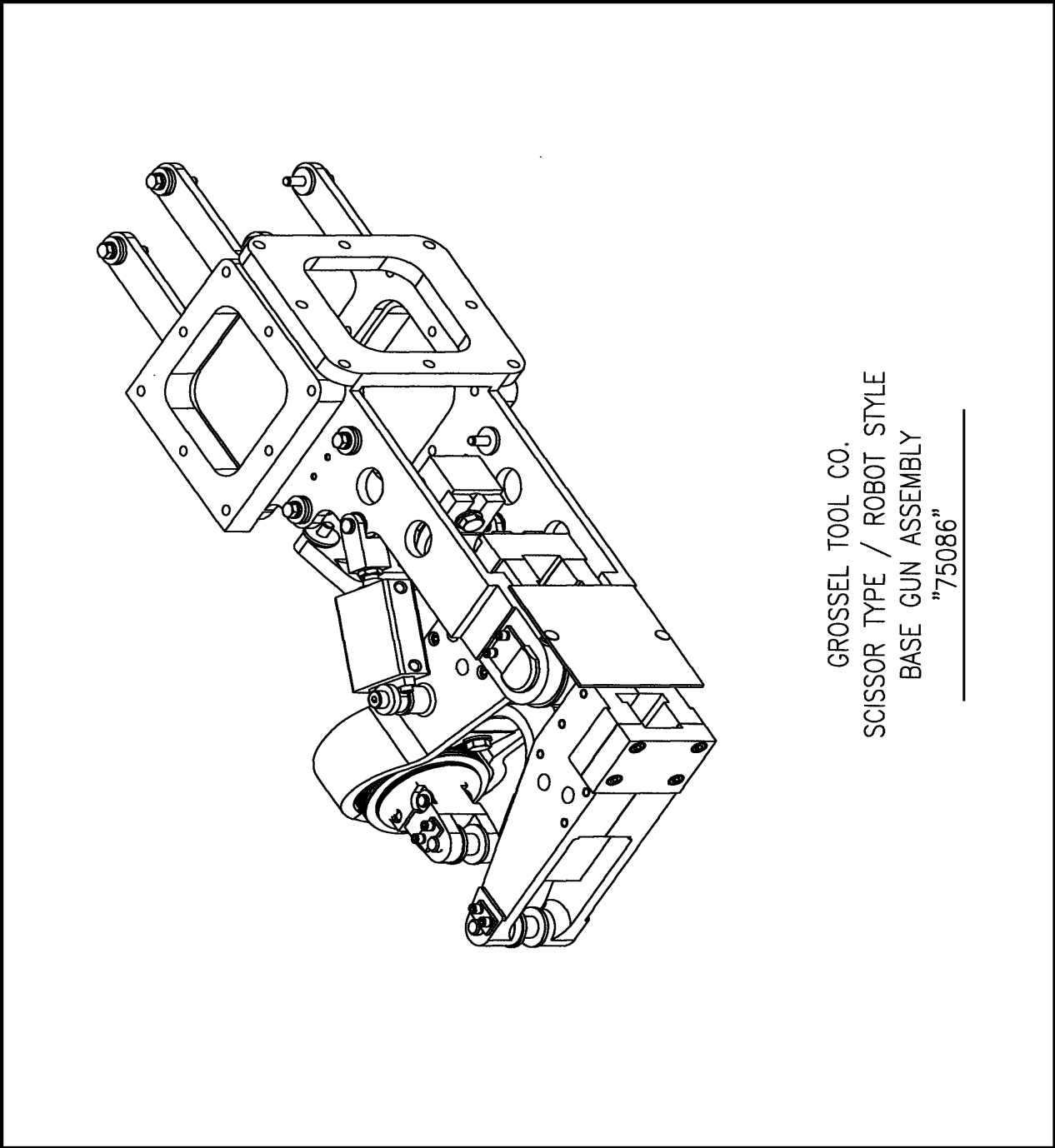
<u>Print</u>	<u>Page</u>
1. Scissor type/Robot Style Assembly-Cover.....	6-4
2. Scissor Base Gun Assembly.....	6-5
3. Moveable Arm Assembly.....	6-6
4. 75088 Rod Side Mount Assembly.....	6-7
5. 72039-03 Pin Assembly.....	6-8
6. Stationary Arm Assembly	6-9
7. 75097 Cylinder Mount Assembly	6-10
8. Mounting Bracket Assembly.....	6-11
9. 72200 Fulcrum Pin Assembly	6-12
10. Clevis Assembly	6-13
11. 35043 Pin Assembly	6-14
12. 72048-01 Pin Assembly	6-15
13. 99016 Rob Boot Assembly	6-16
14. Equalizer Assembly	6-17



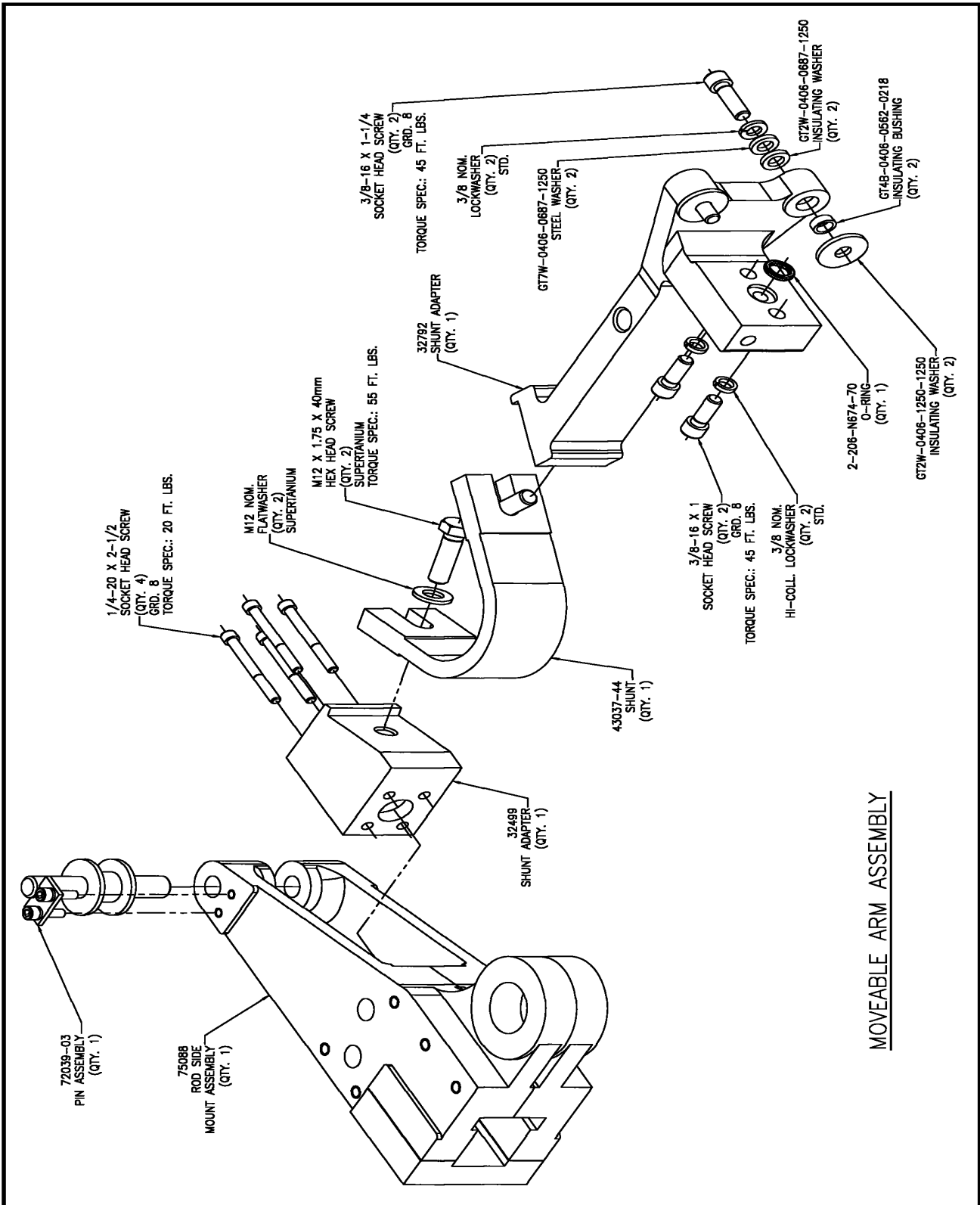
75086 Print List (cont'd)

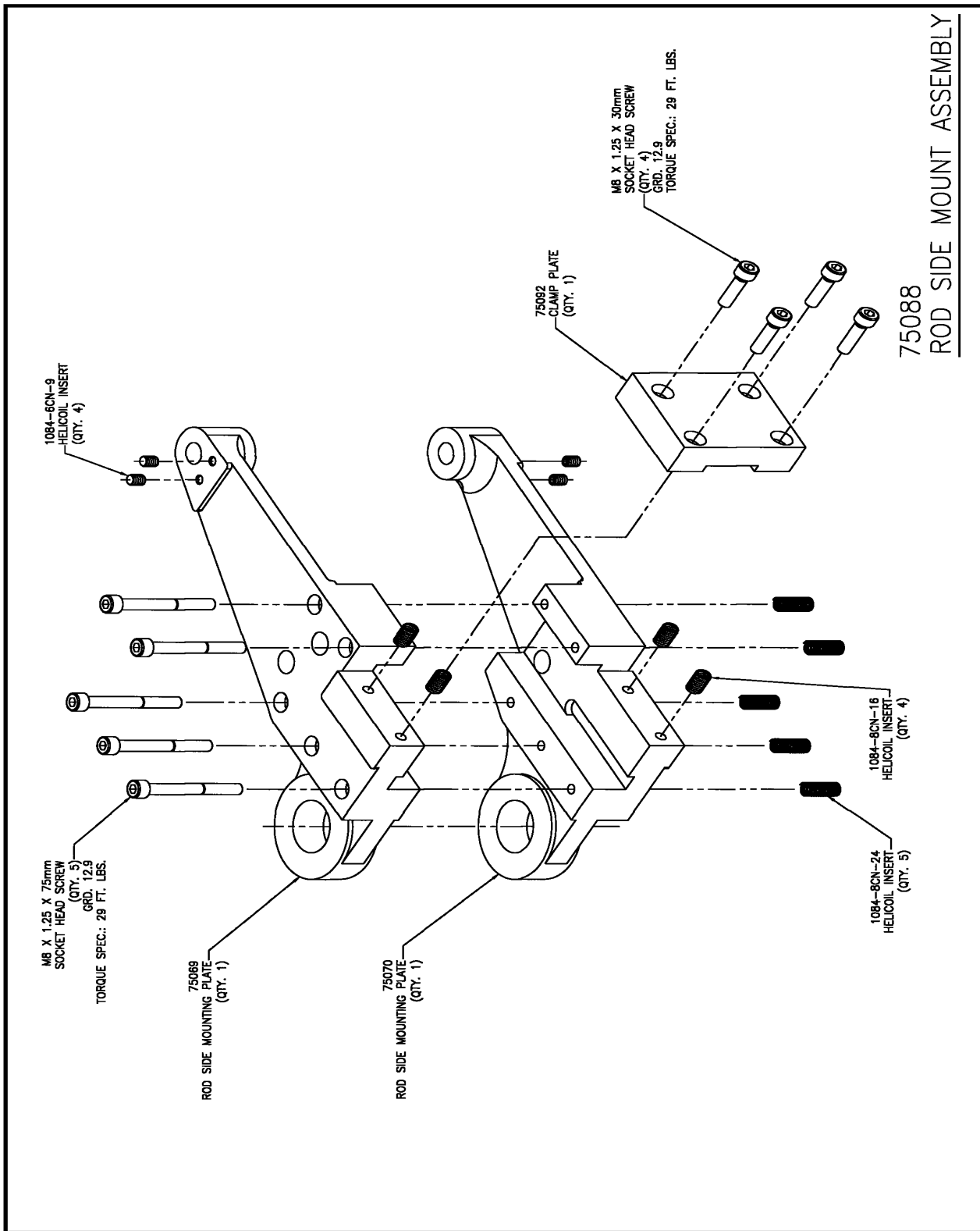
<u>Print</u>	<u>Page</u>
15. 90046-13 Equalizer Assembly	6-18
16. 80236-L Spring Pack Assembly	6-19
17. Flash Guard Assembly	6-20





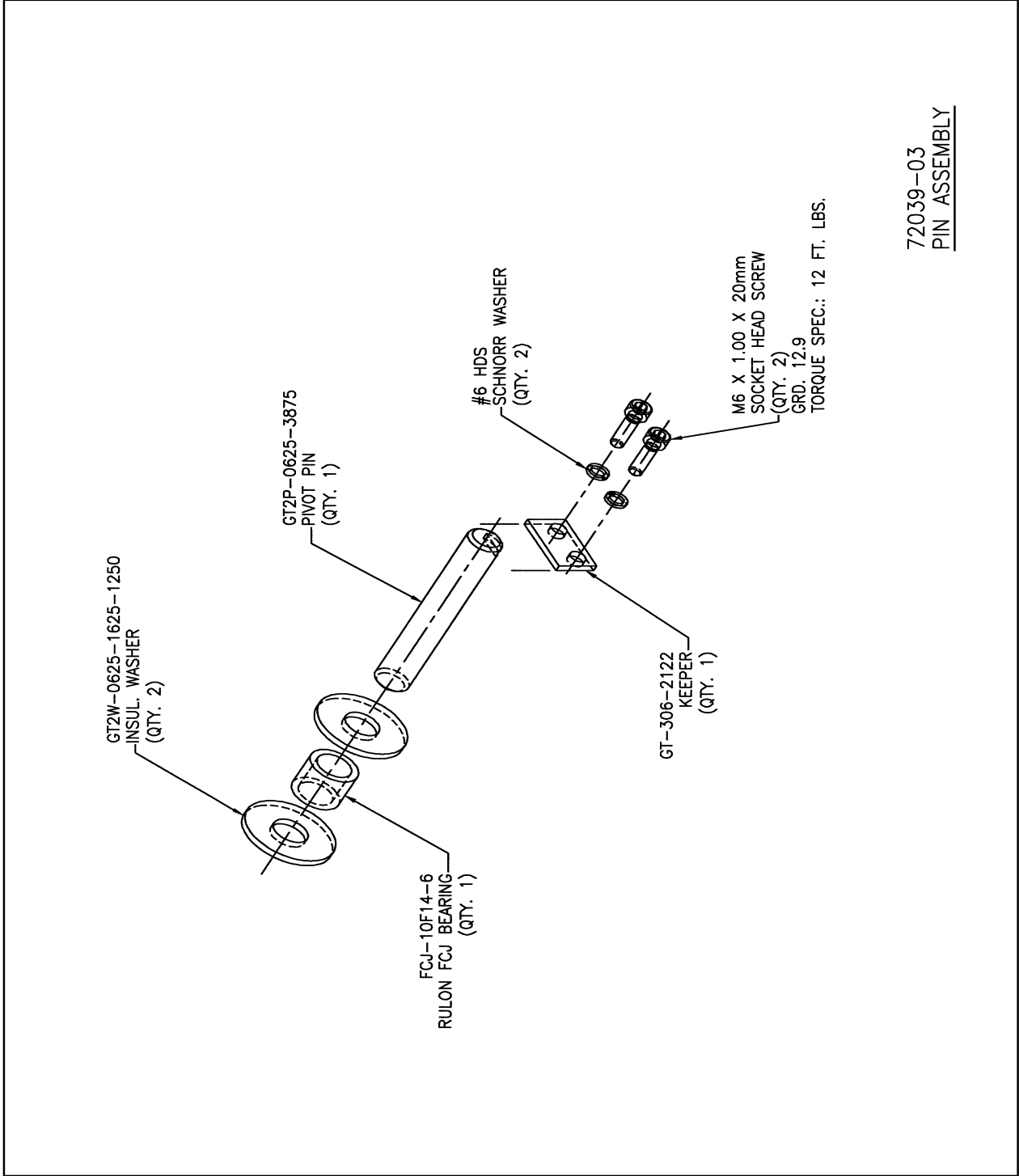
GROSSEL TOOL CO.
SCISSOR TYPE / ROBOT STYLE
BASE GUN ASSEMBLY
"75086"





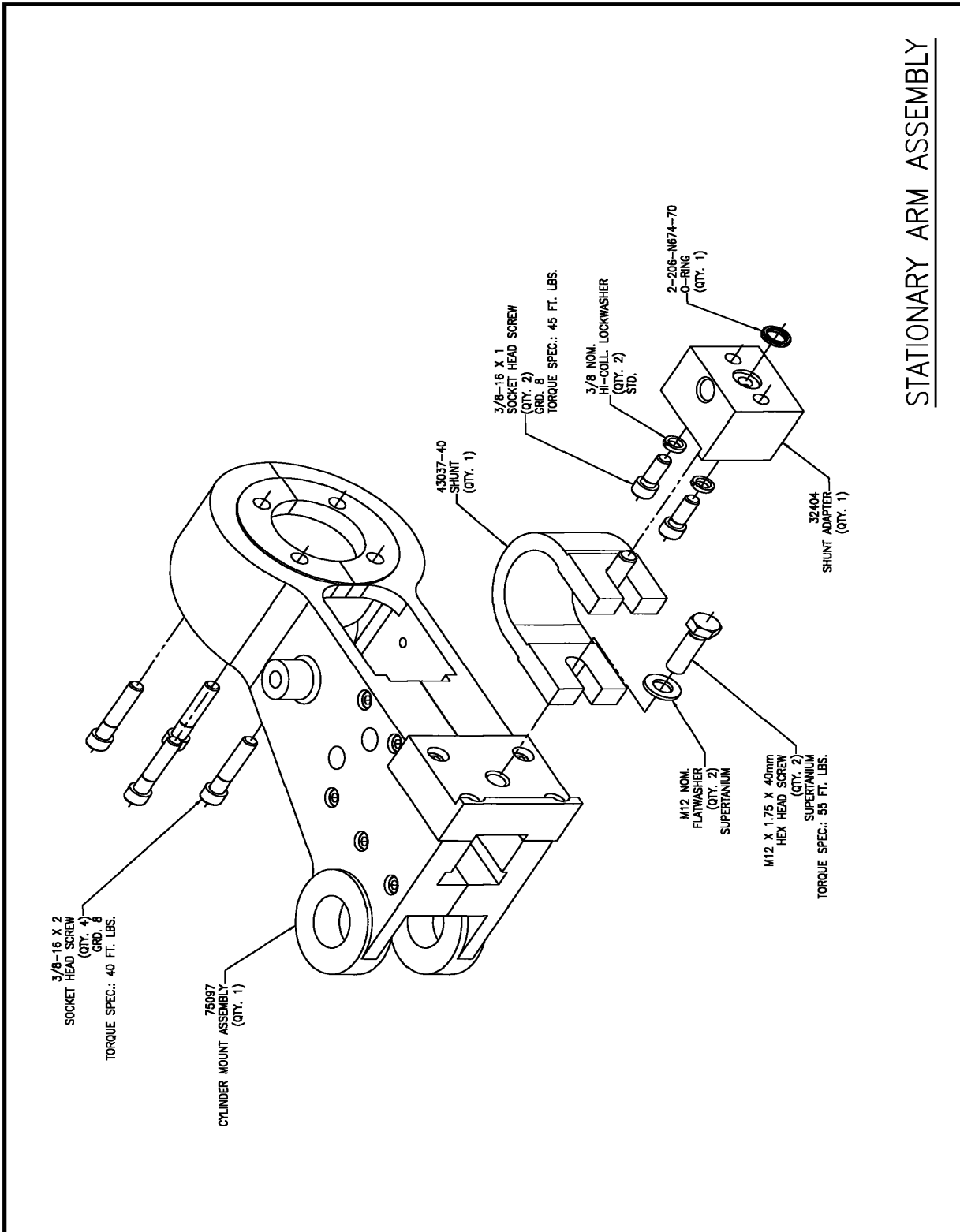
75088
 ROD SIDE MOUNT ASSEMBLY

GROSSEL TOOL COMPANY



72039-03
 PIN ASSEMBLY



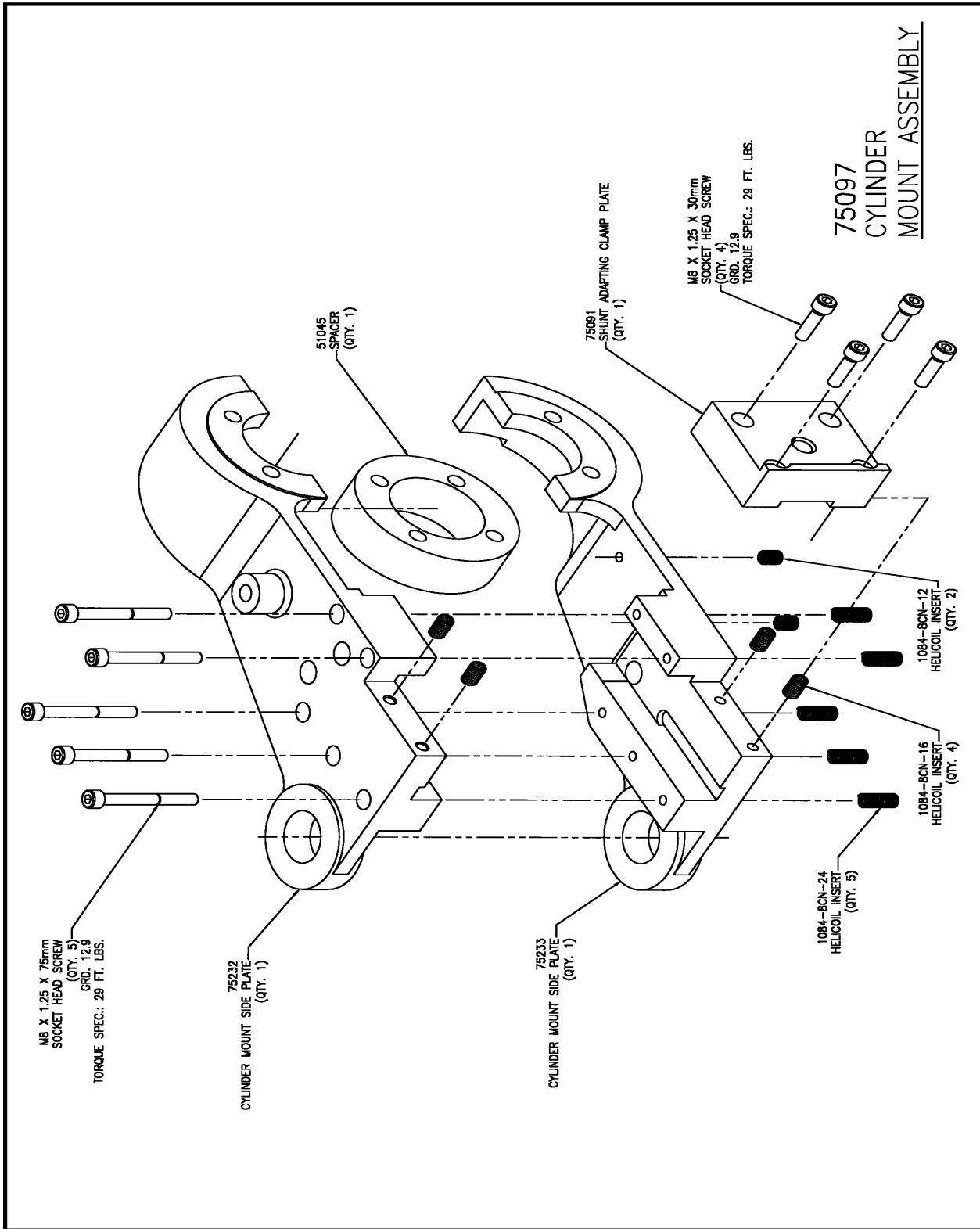


STATIONARY ARM ASSEMBLY

Grossel Tool
 Modular Base Gun Assembly MANUAL

SECTION 6: 75086-XX

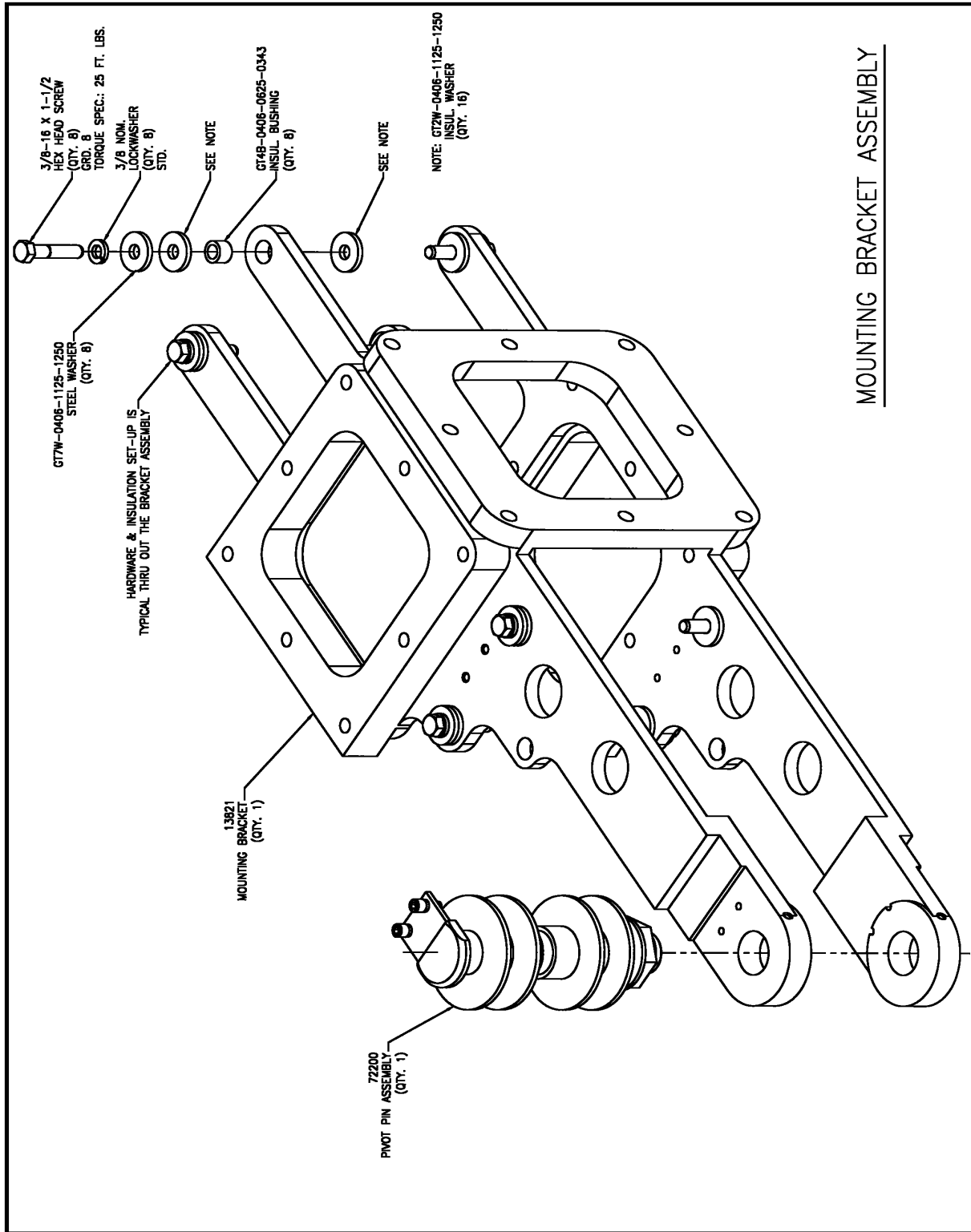
GROSSEL TOOL COMPANY



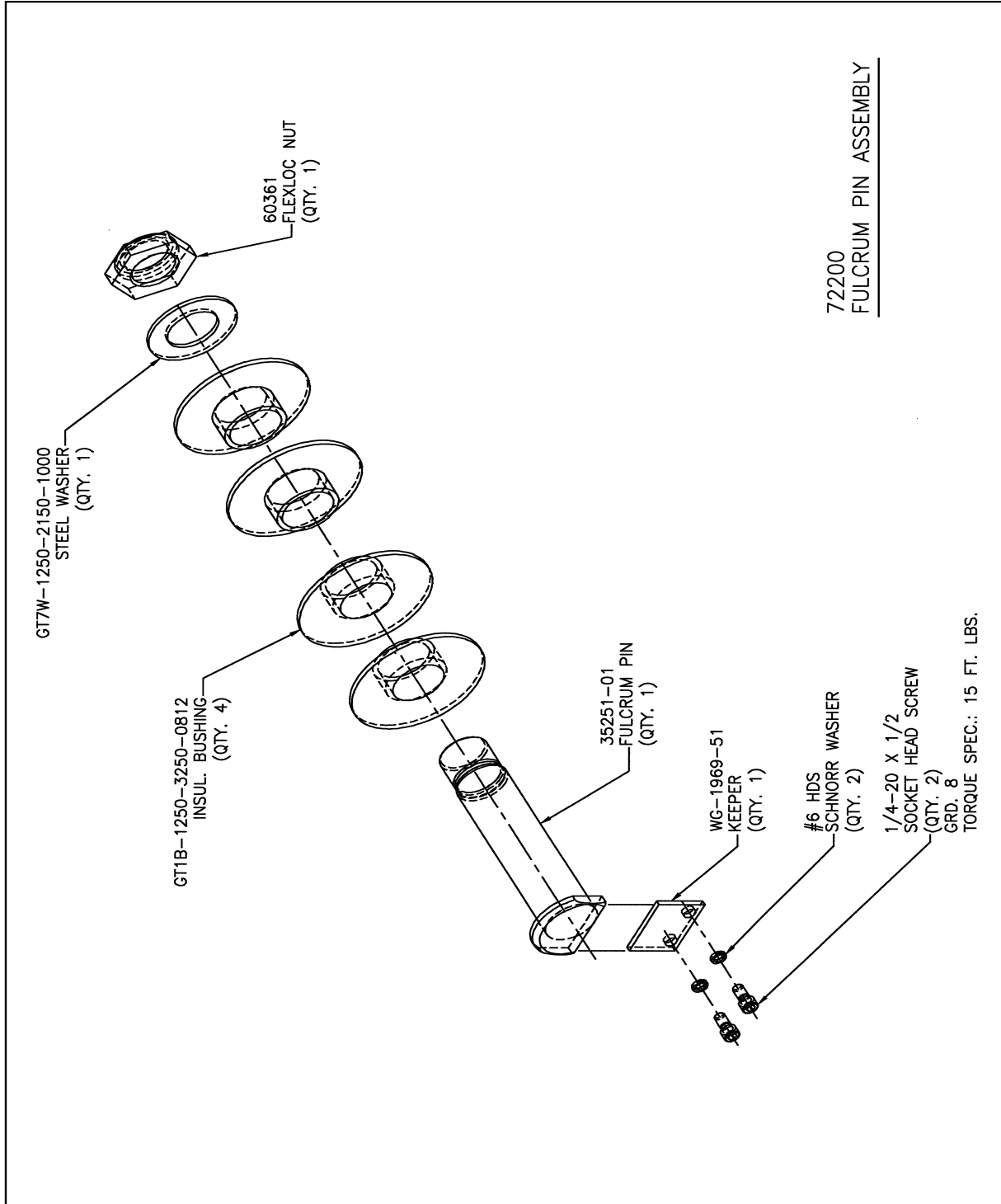
Grossel Tool
 Modular Base Gun Assembly MANUAL

SECTION 6: 75086-XX

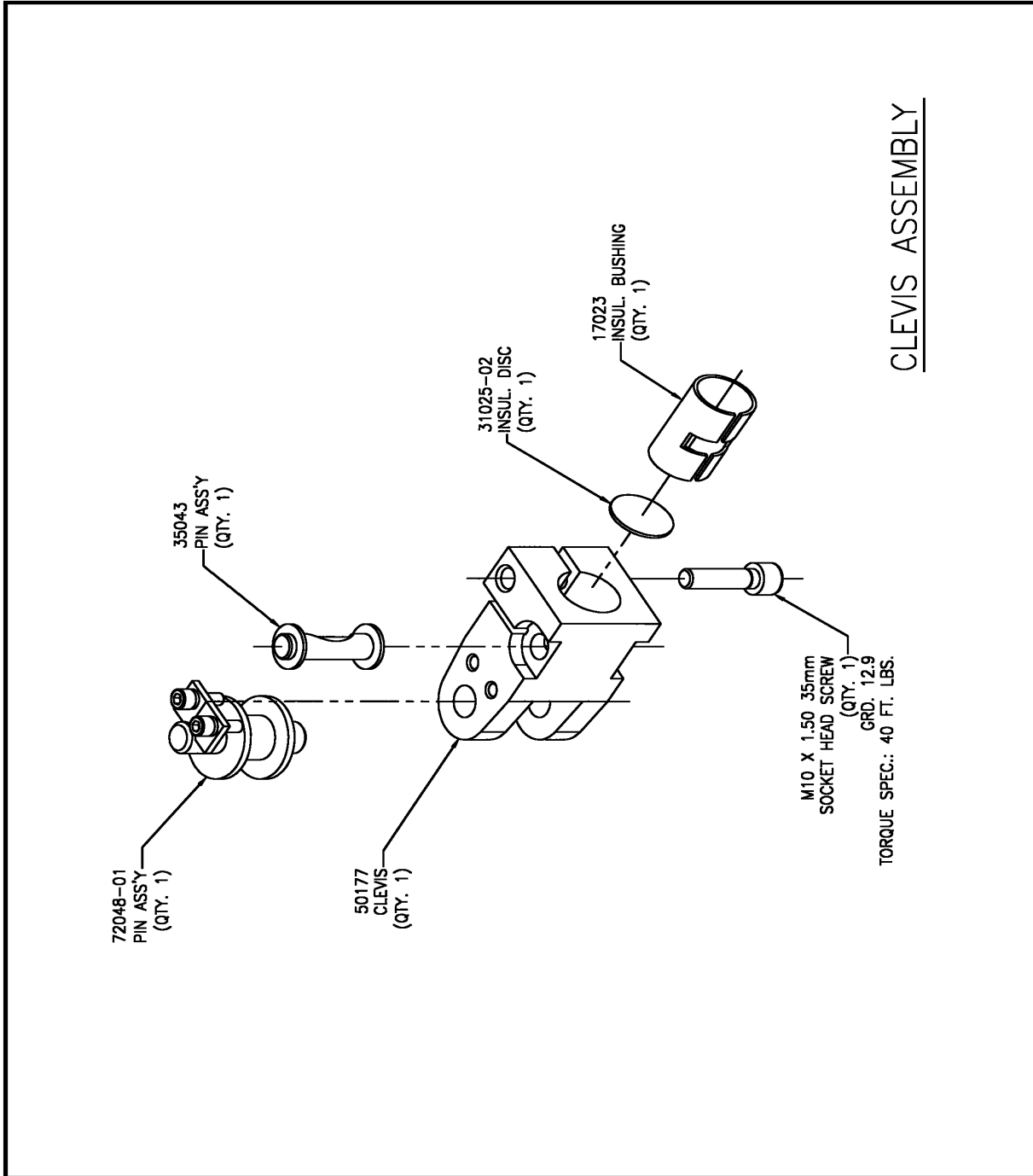
GROSSEL TOOL COMPANY



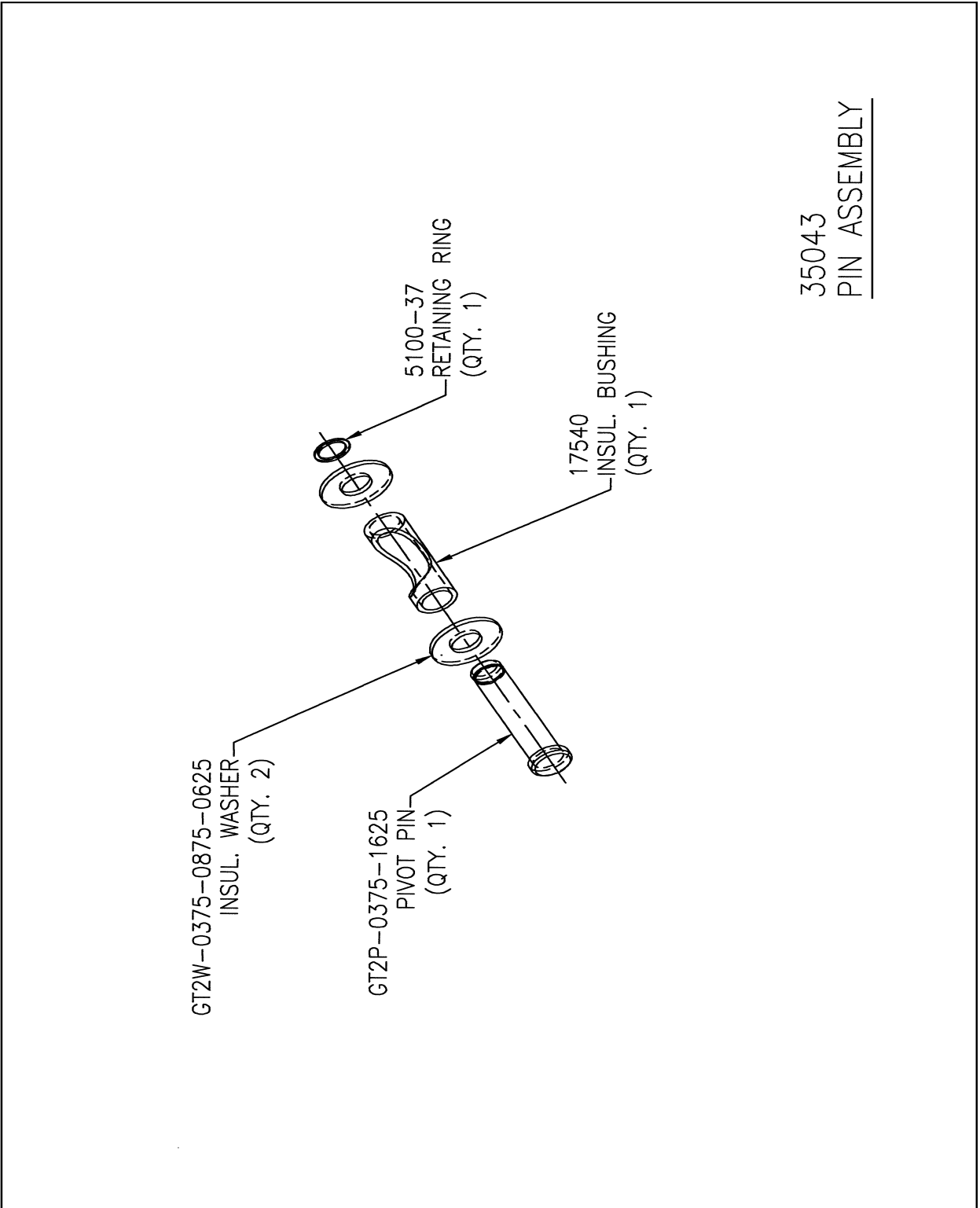
GROSSEL TOOL COMPANY



GROSSEL TOOL COMPANY



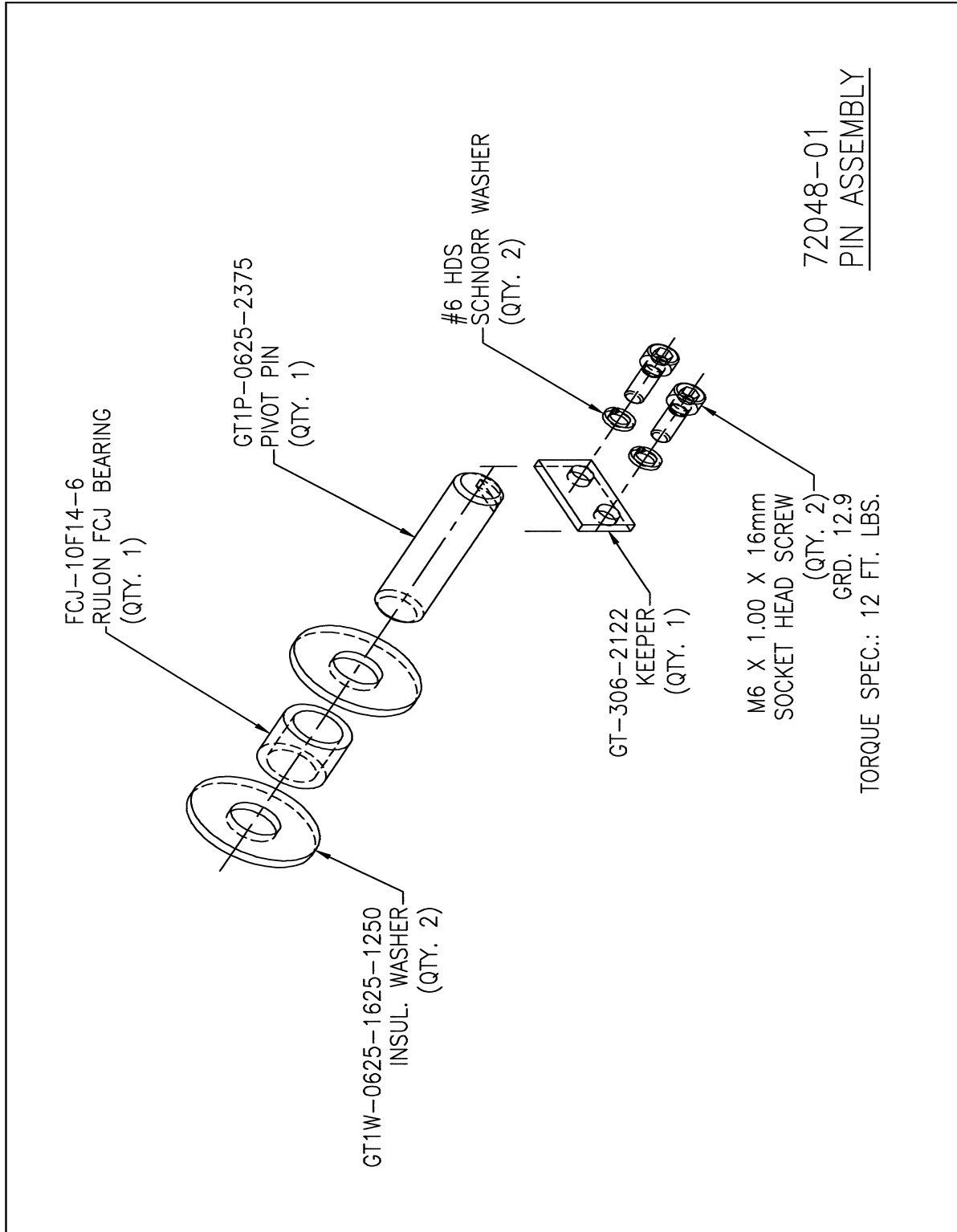
GROSSEF TOOL COMPANY



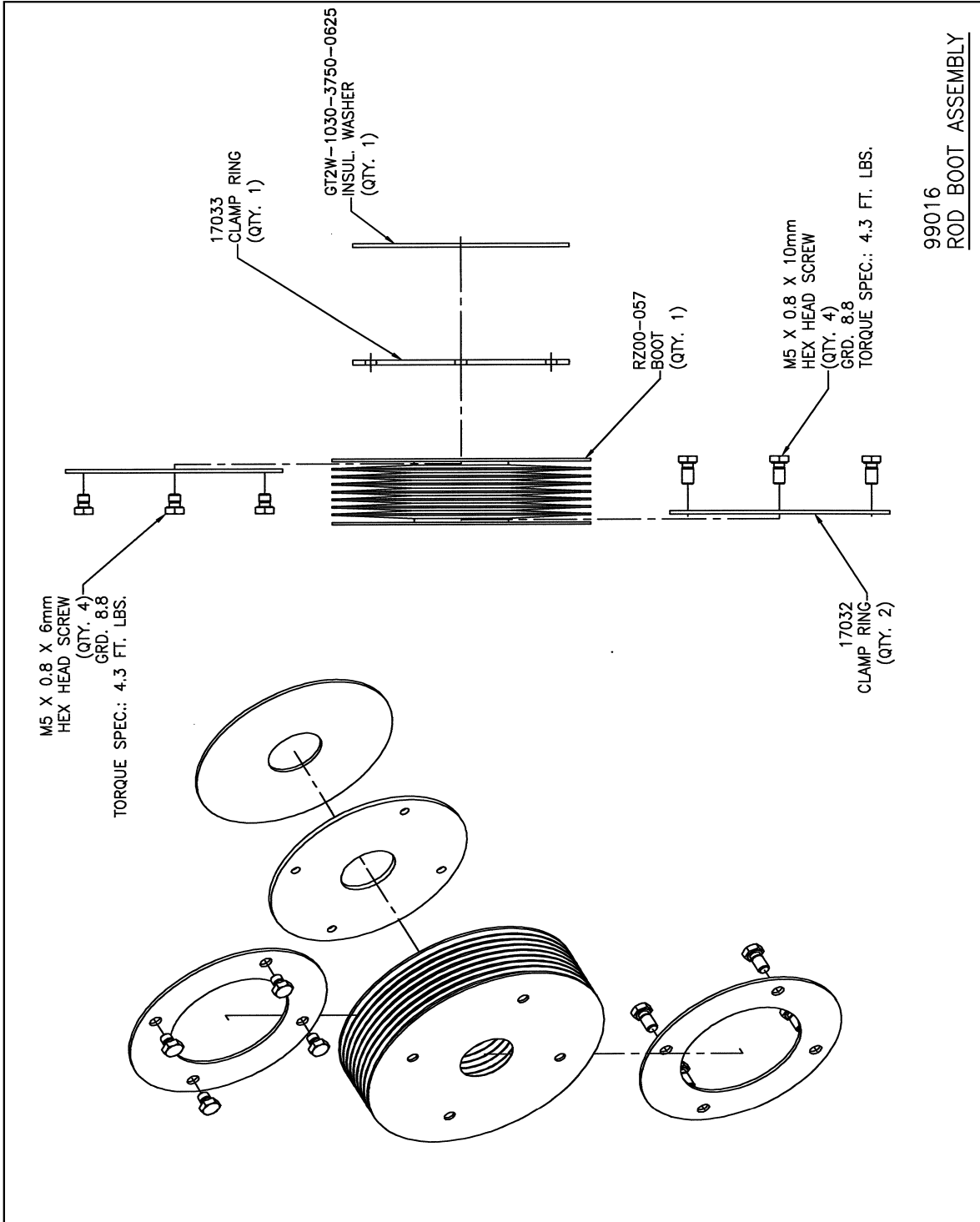
Grossel Tool
 Modular Base Gun Assembly MANUAL

SECTION 6: 75086-XX

GROSSEFI TOOL COMPANY



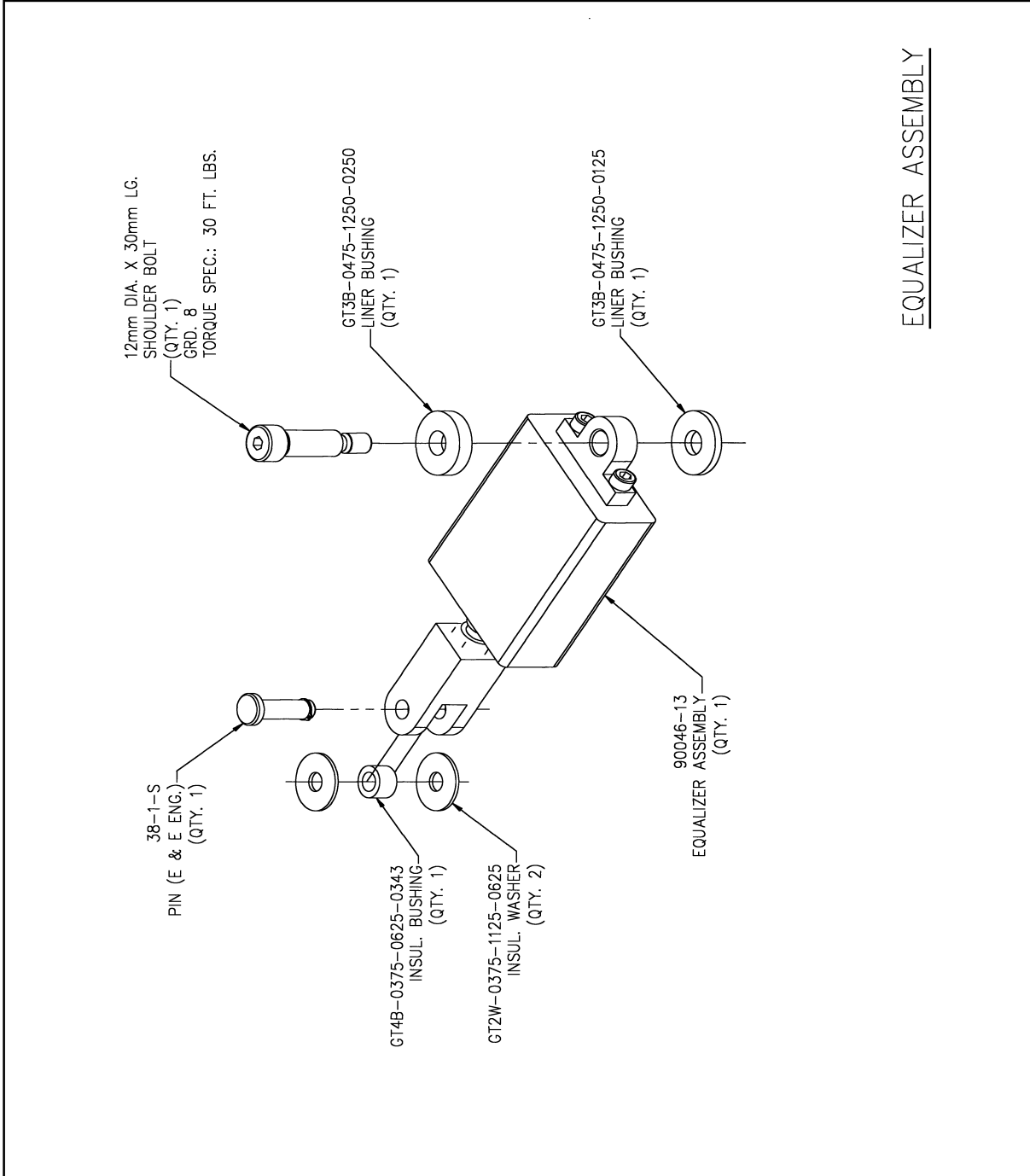
GROSSEL TOOL COMPANY



99016
 ROD BOOT ASSEMBLY



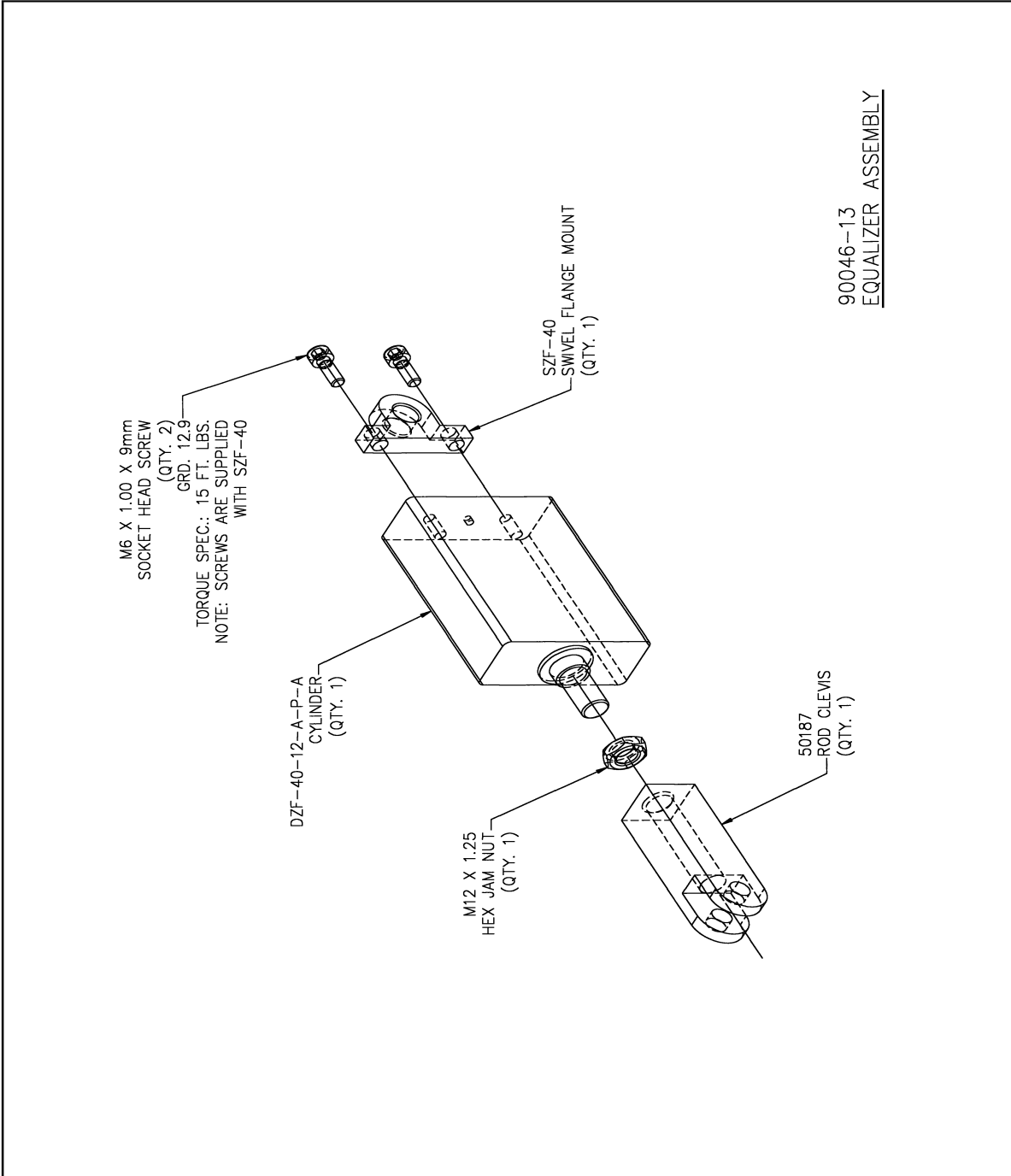
GROSSEL TOOL COMPANY

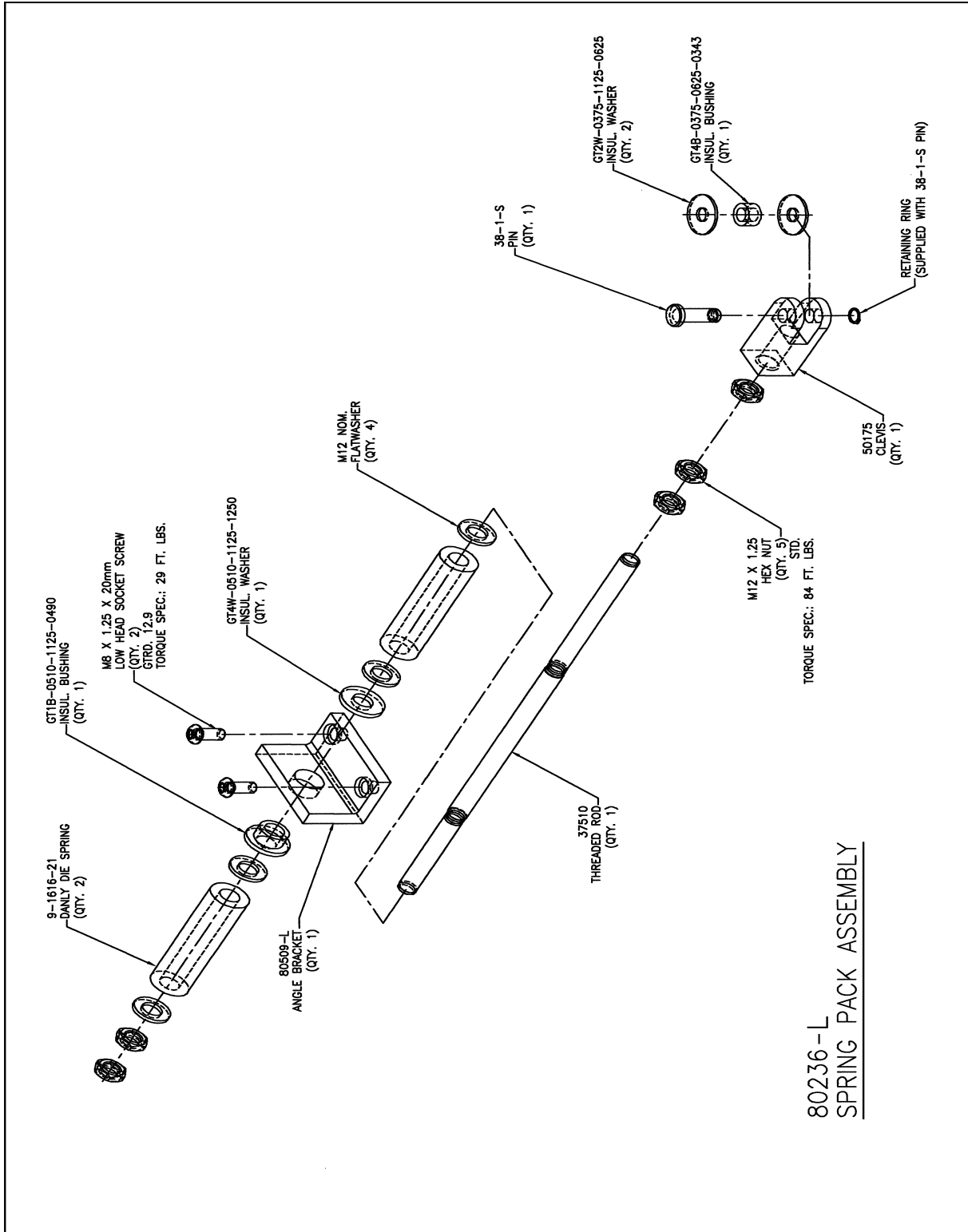


EQUALIZER ASSEMBLY



GROSSEL TOOL COMPANY





80236-L
 SPRING PACK ASSEMBLY



GROSSEL TOOL COMPANY

