

## **Section 3**

**75071-xx**

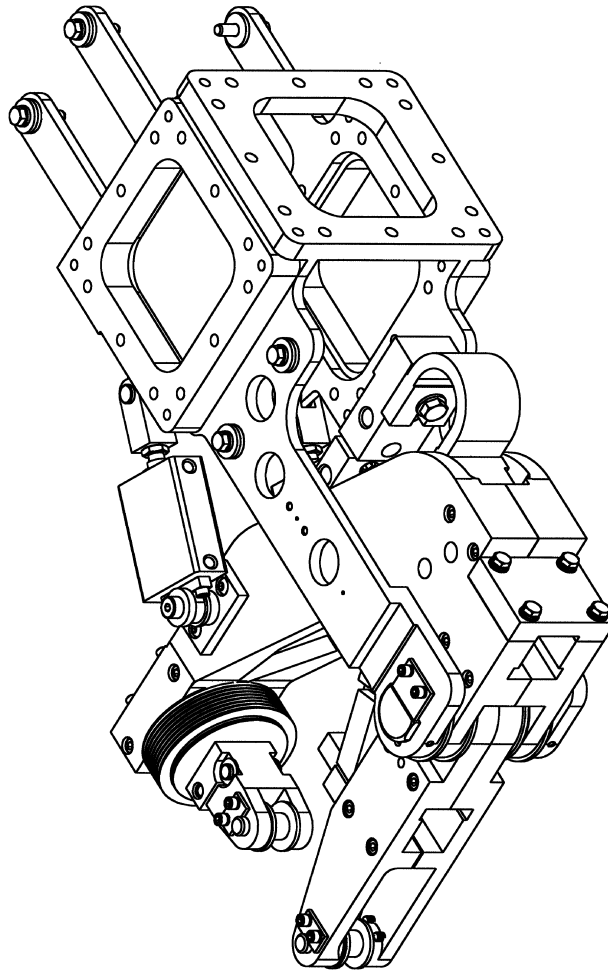
# **Pinch Type/Robot Style Base Gun**



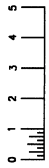




GROSSEL TOOL COMPANY

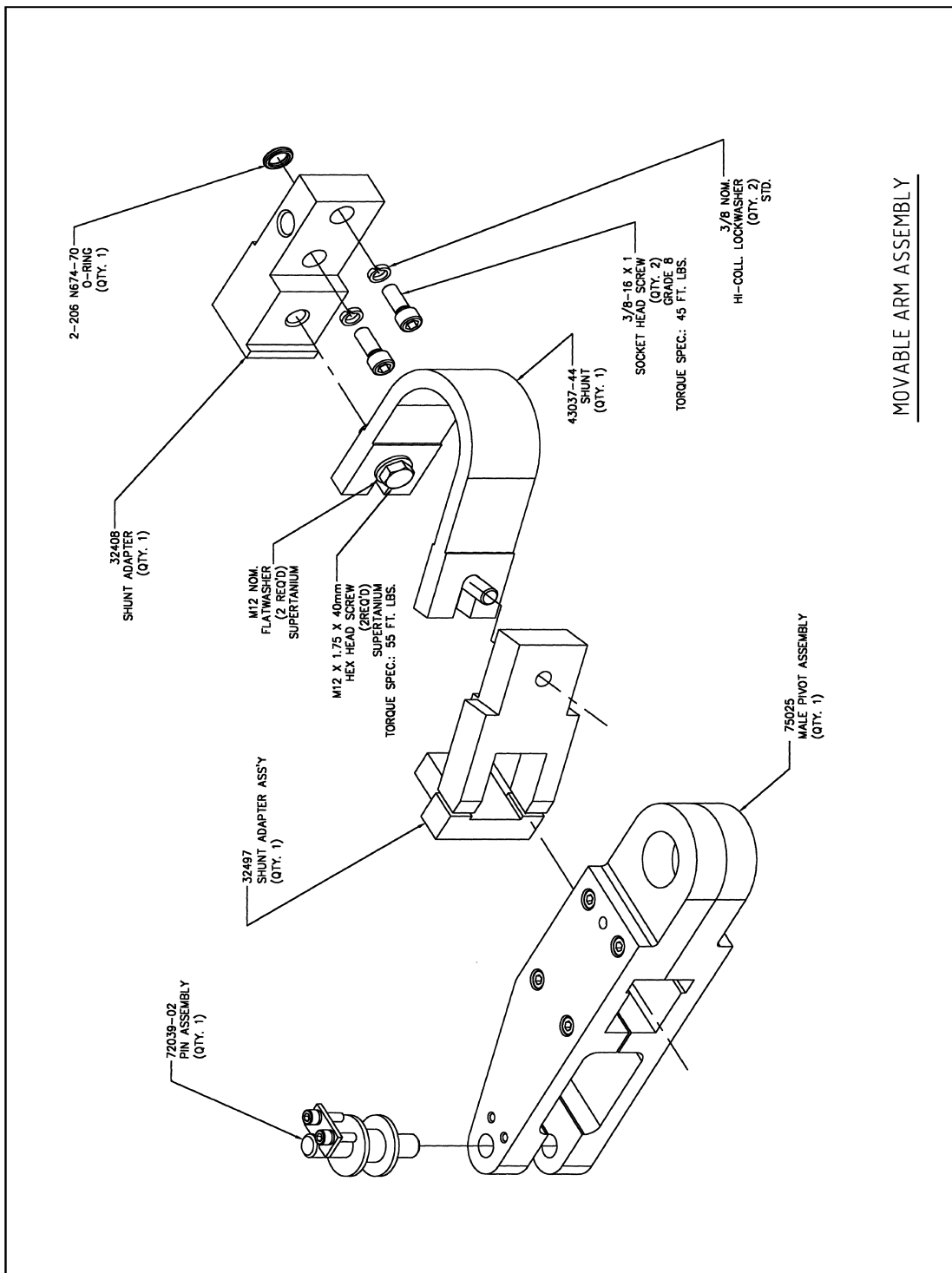


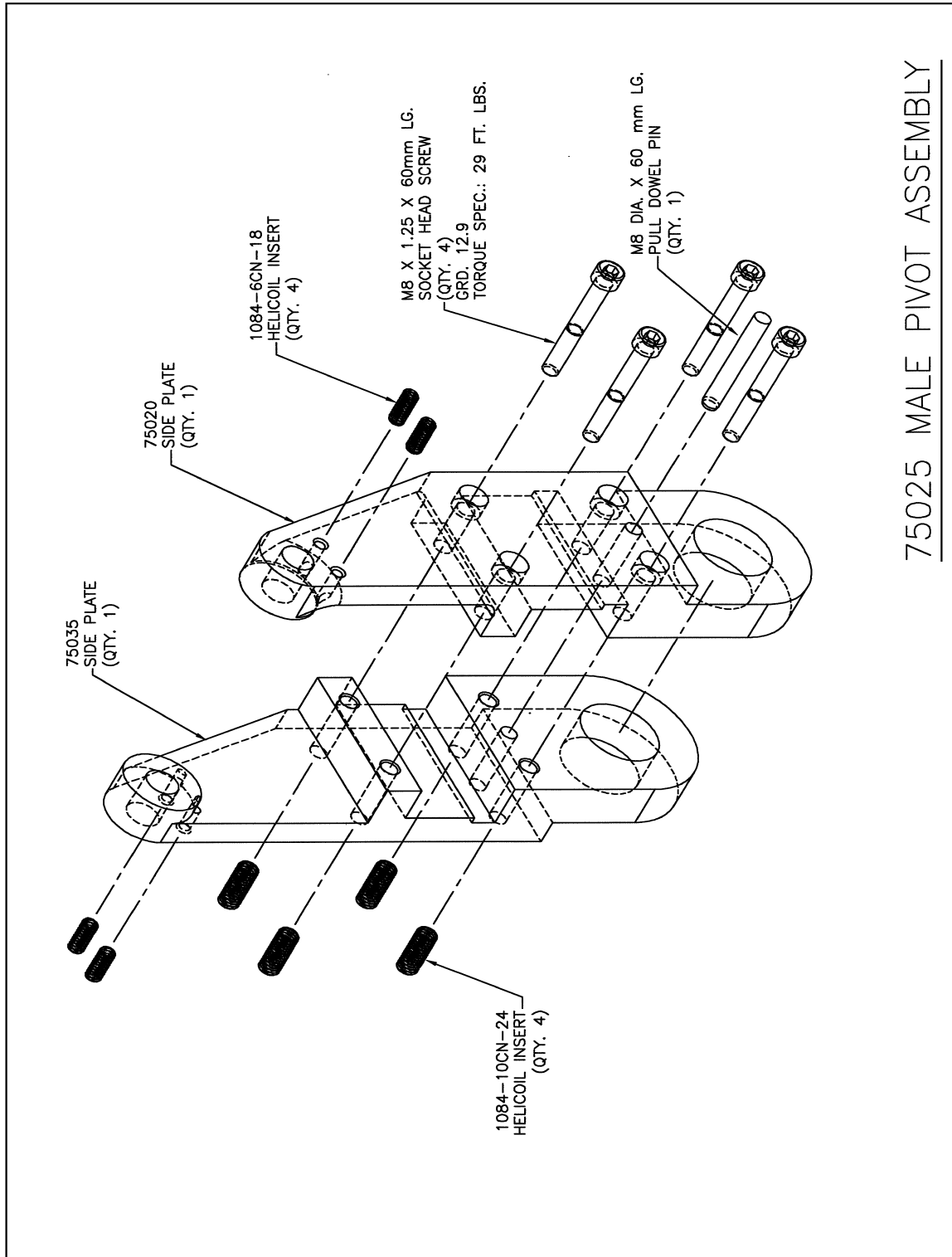
GROSSEL TOOL CO.  
PINCH TYPE / ROBOT STYLE  
BASE GUN ASSEMBLY  
"75071-11" & "75071-15"





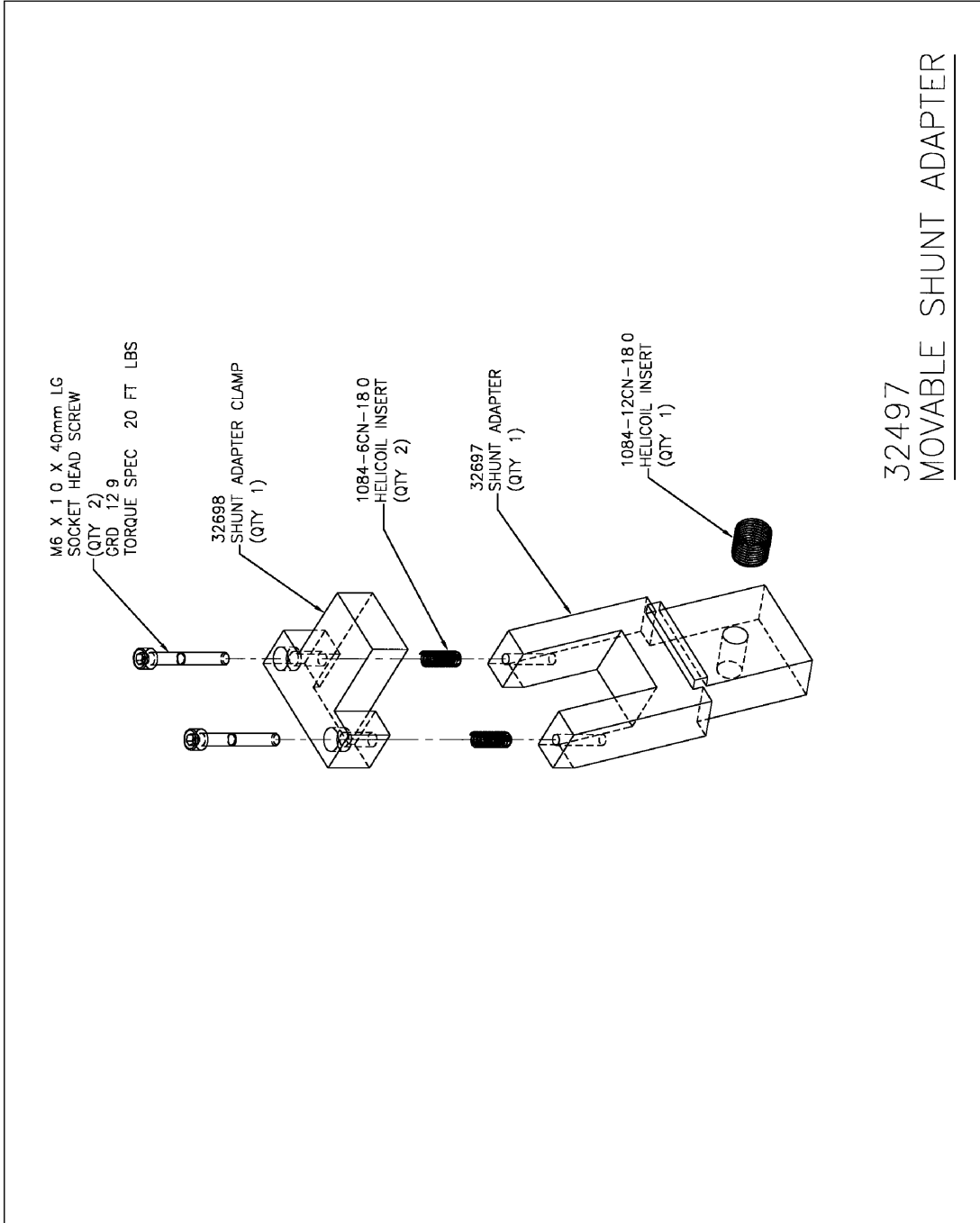
GROSSEL TOOL COMPANY





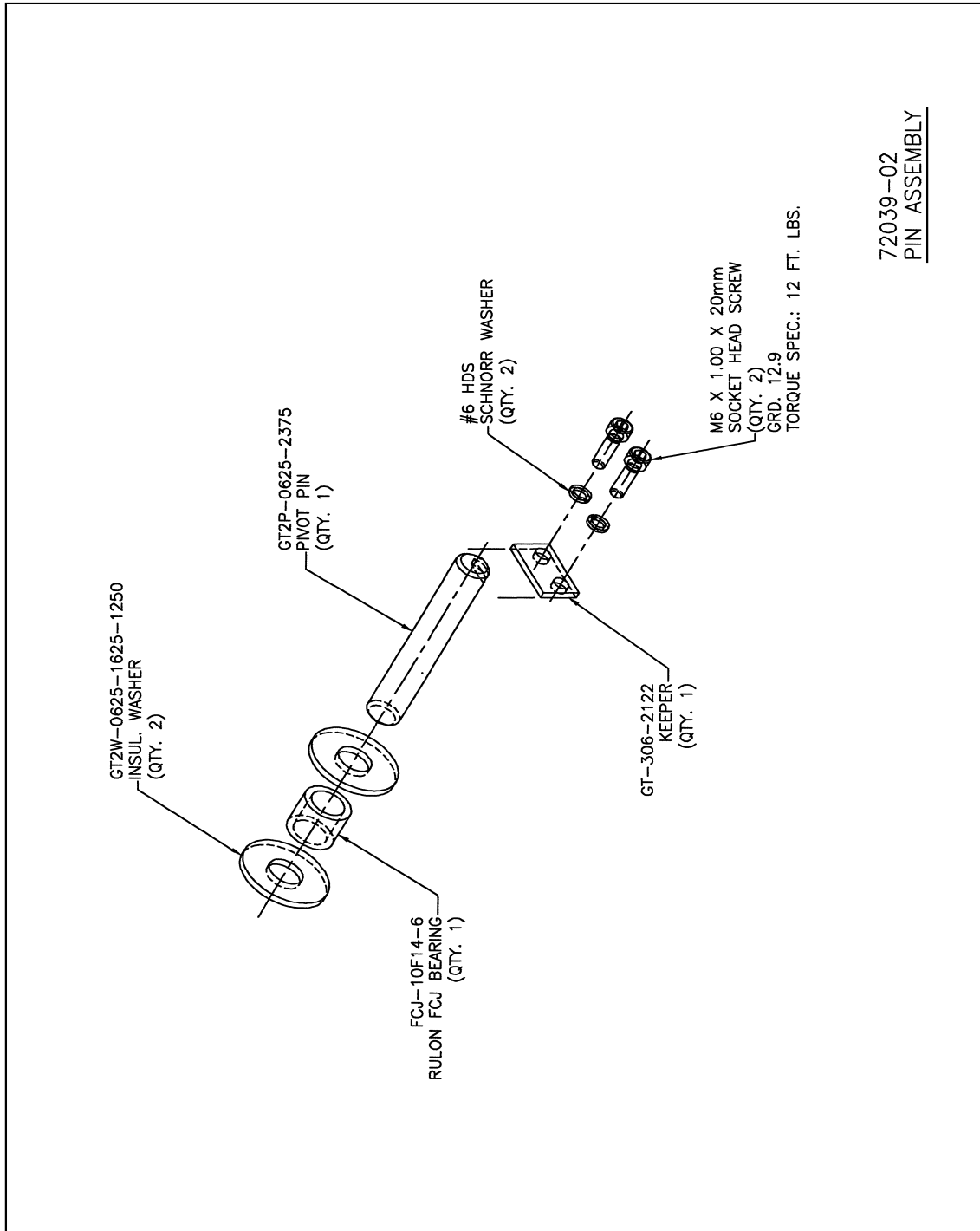
75025 MALE PIVOT ASSEMBLY





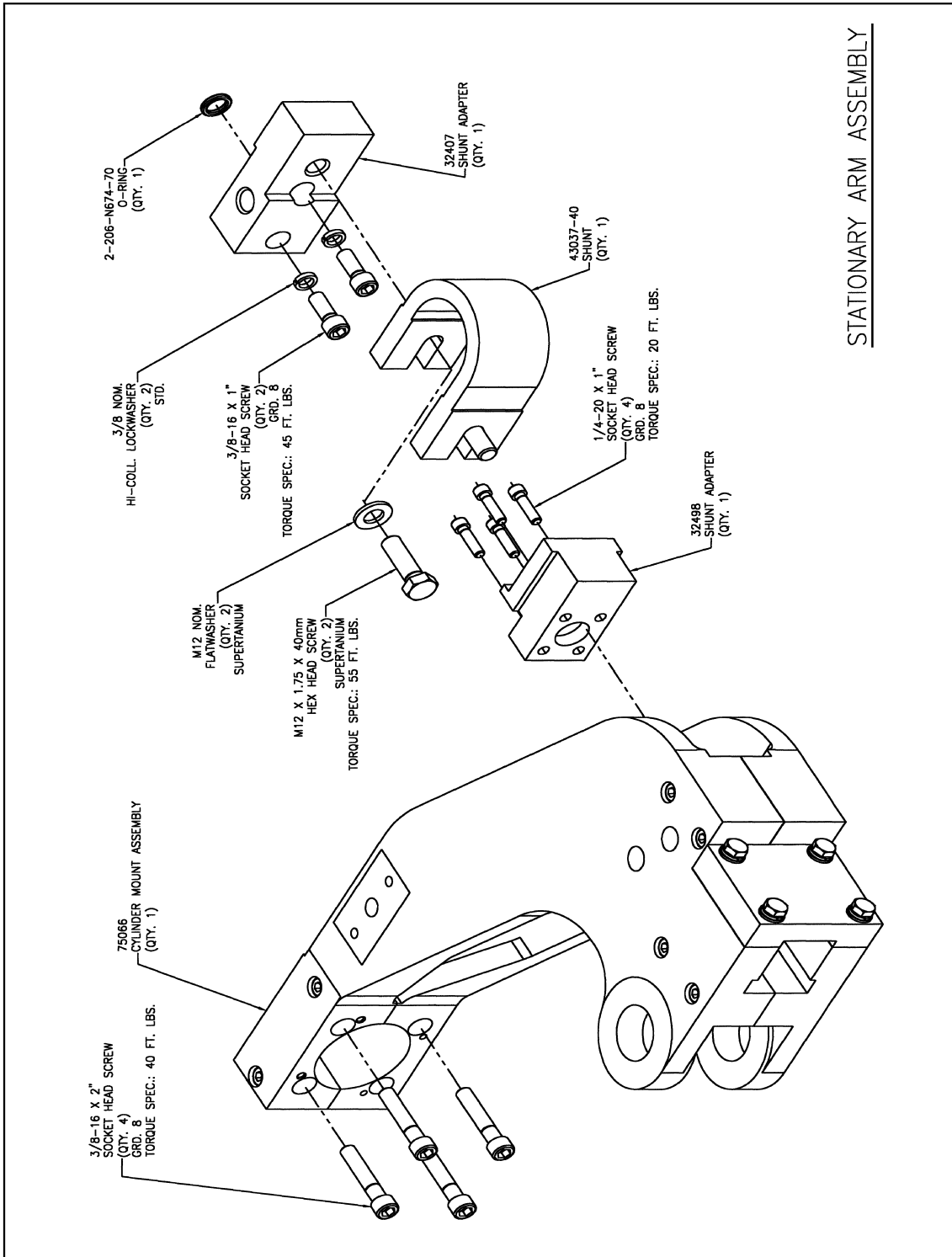


GROSSEL TOOL COMPANY



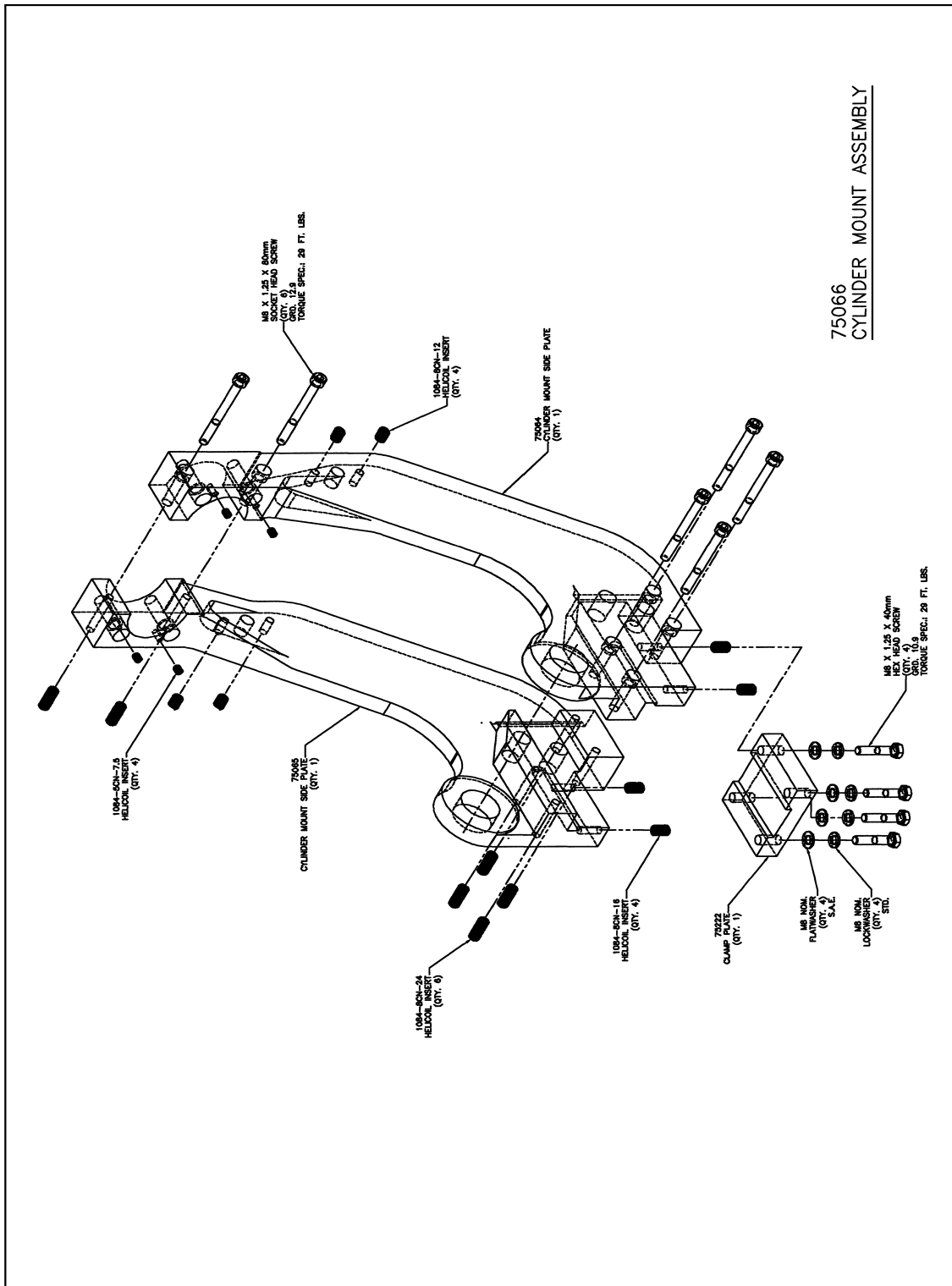
72039-02  
 PIN ASSEMBLY

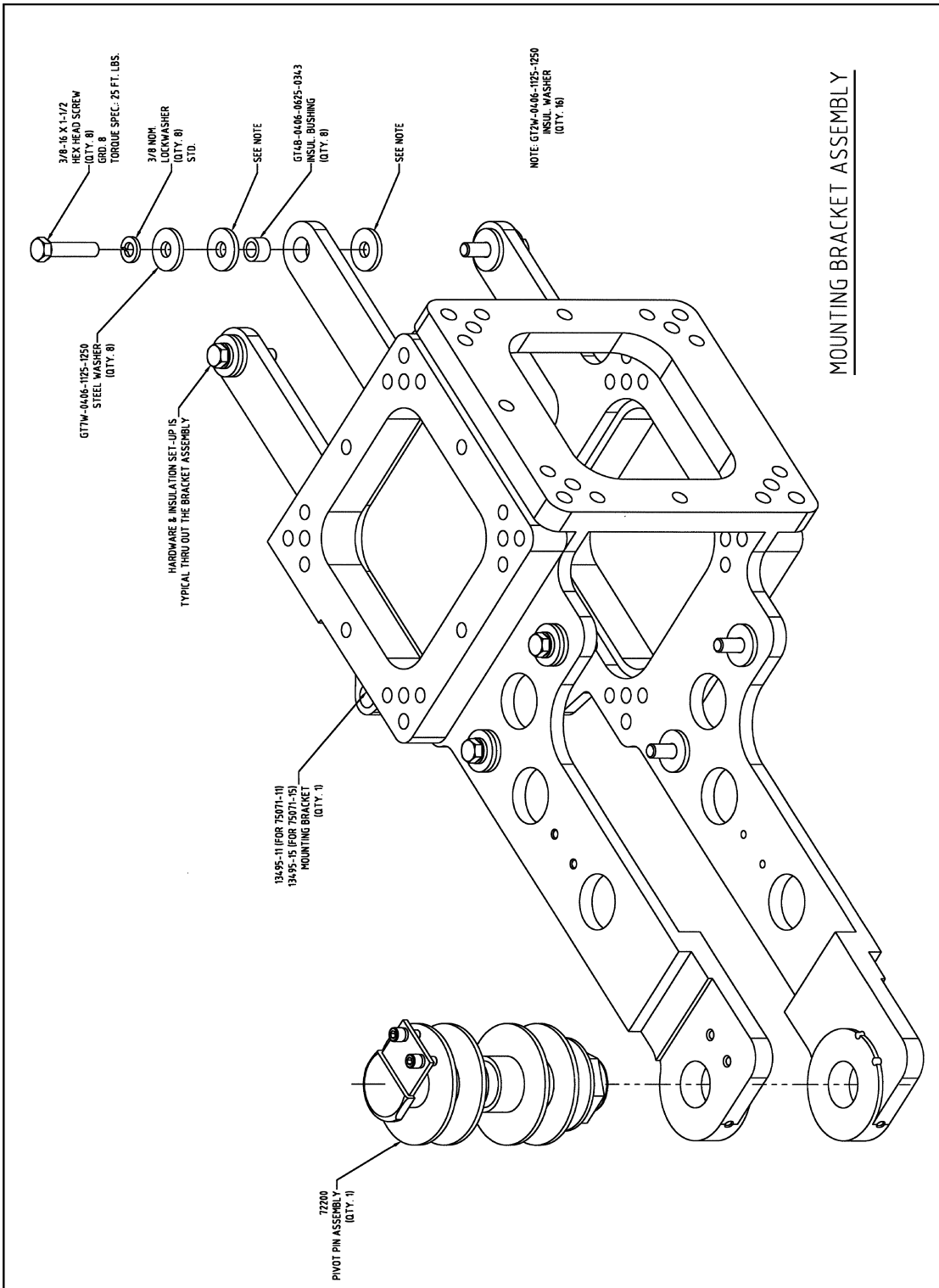




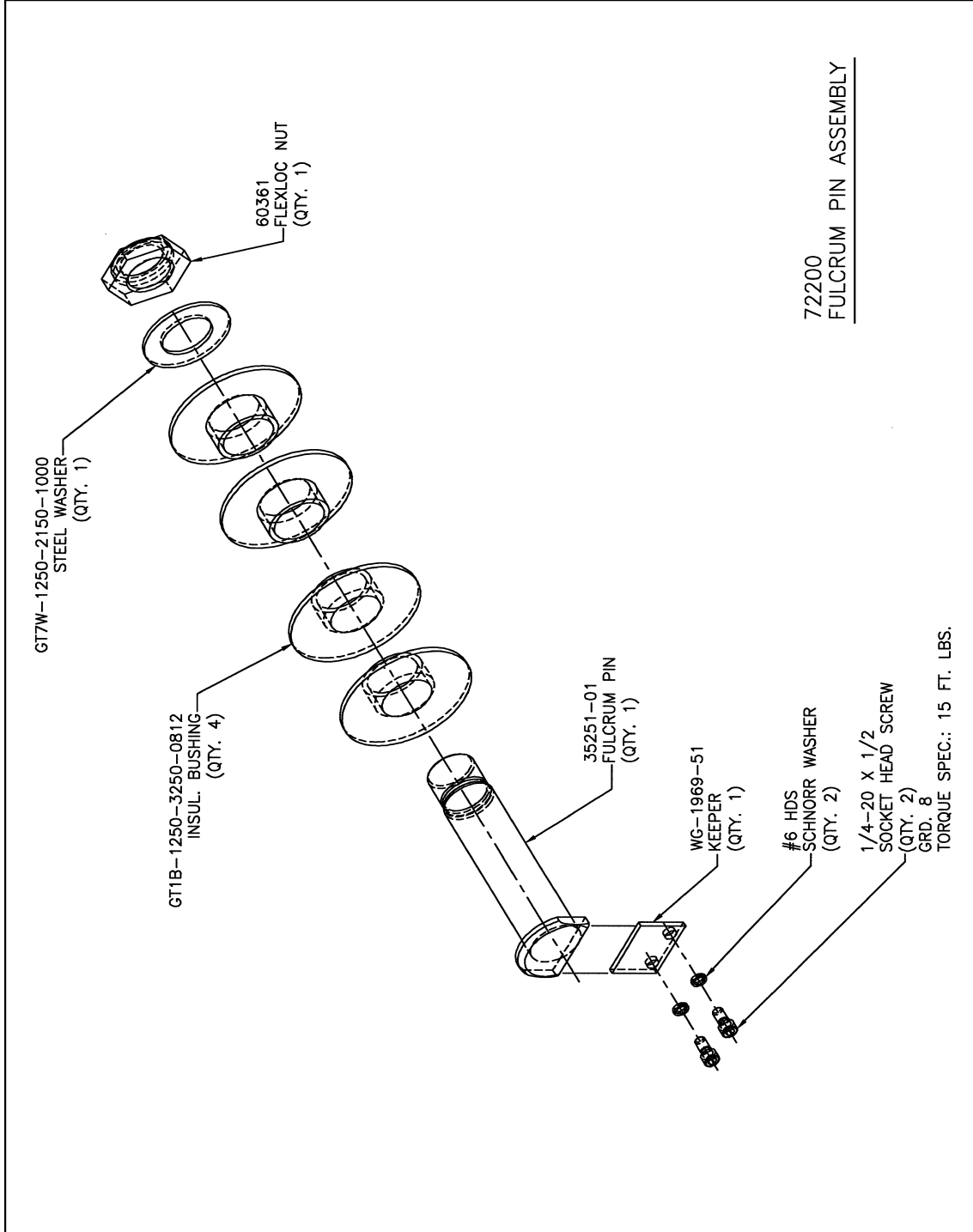
STATIONARY ARM ASSEMBLY

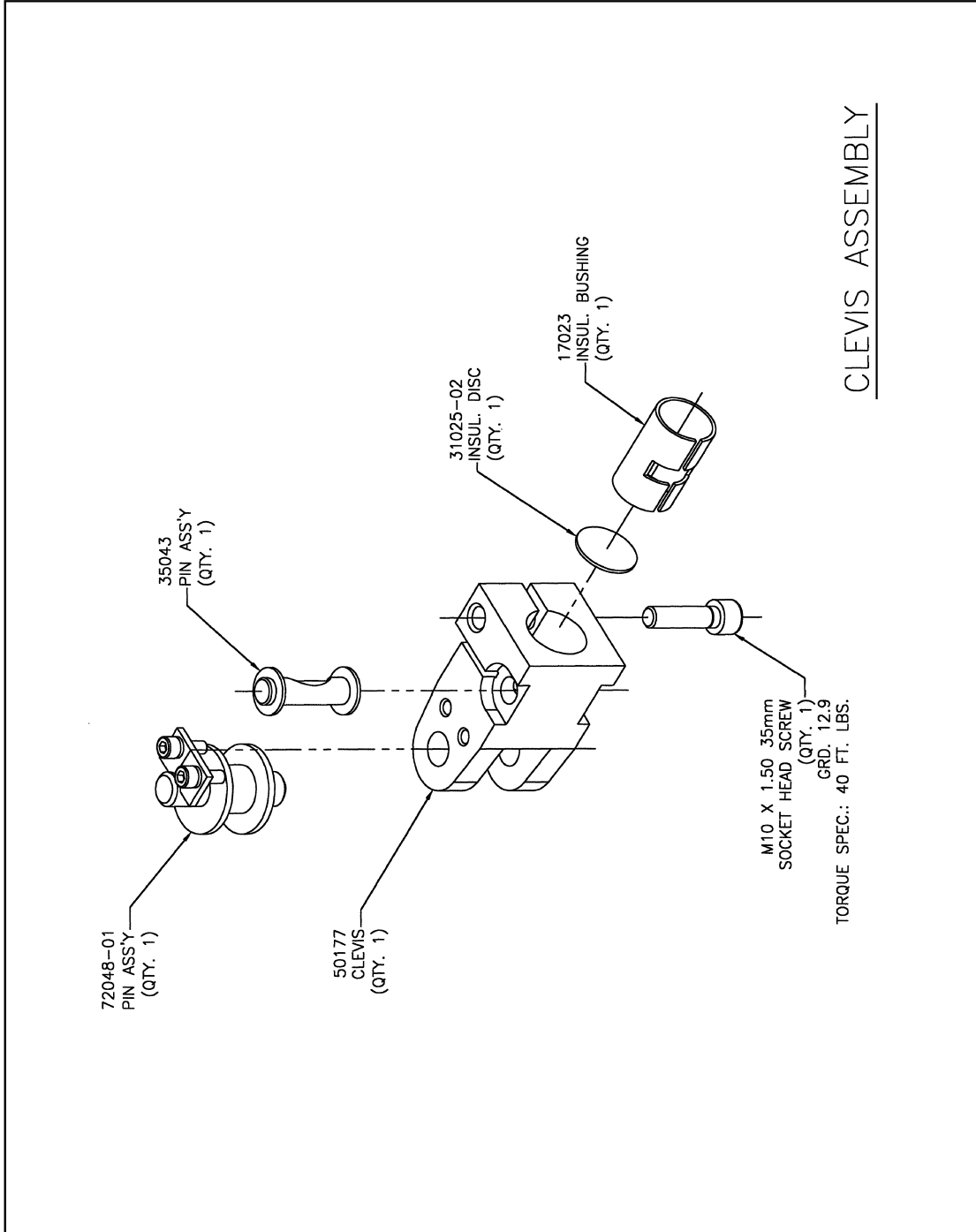




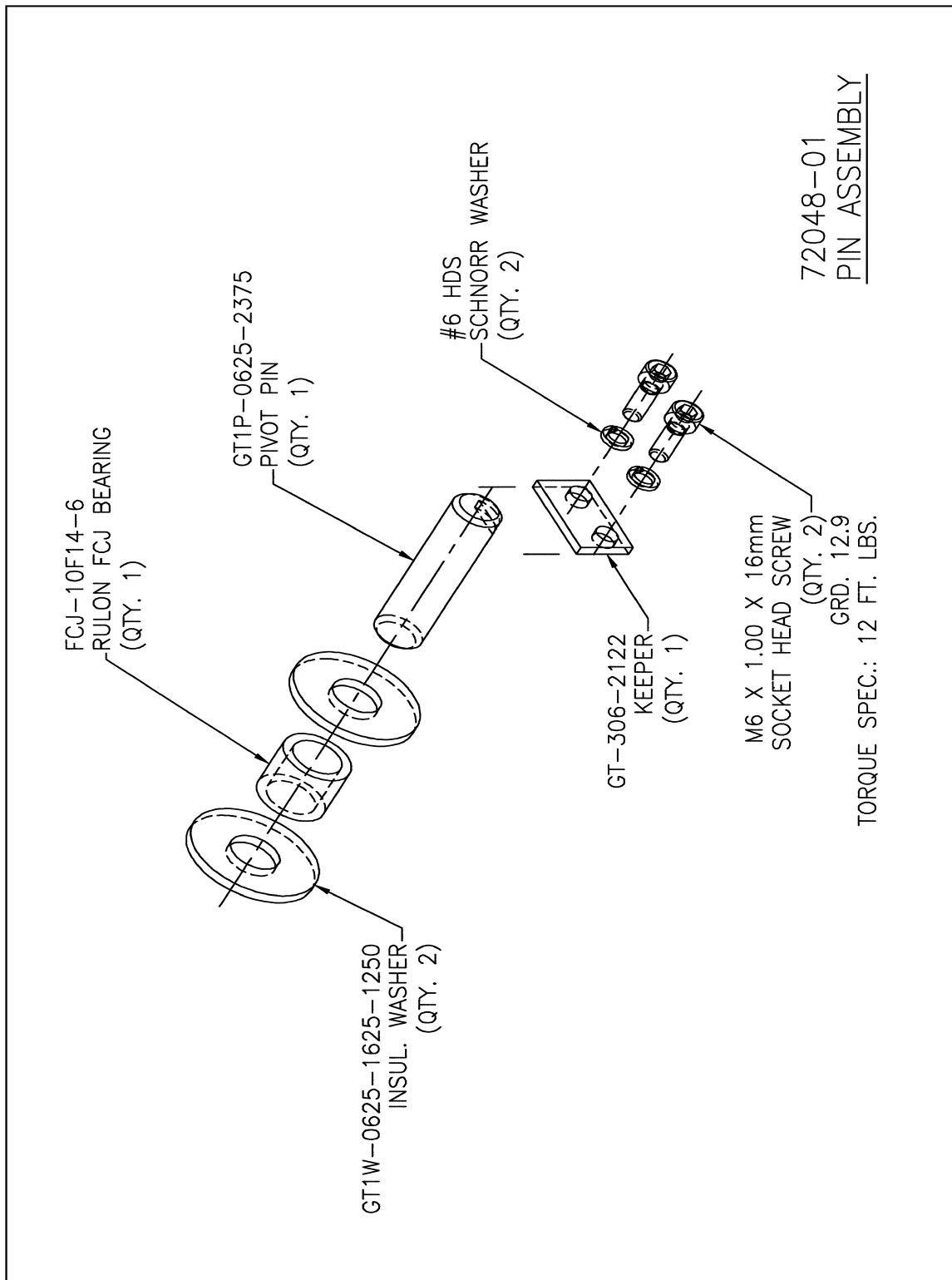


GROSSEL TOOL COMPANY

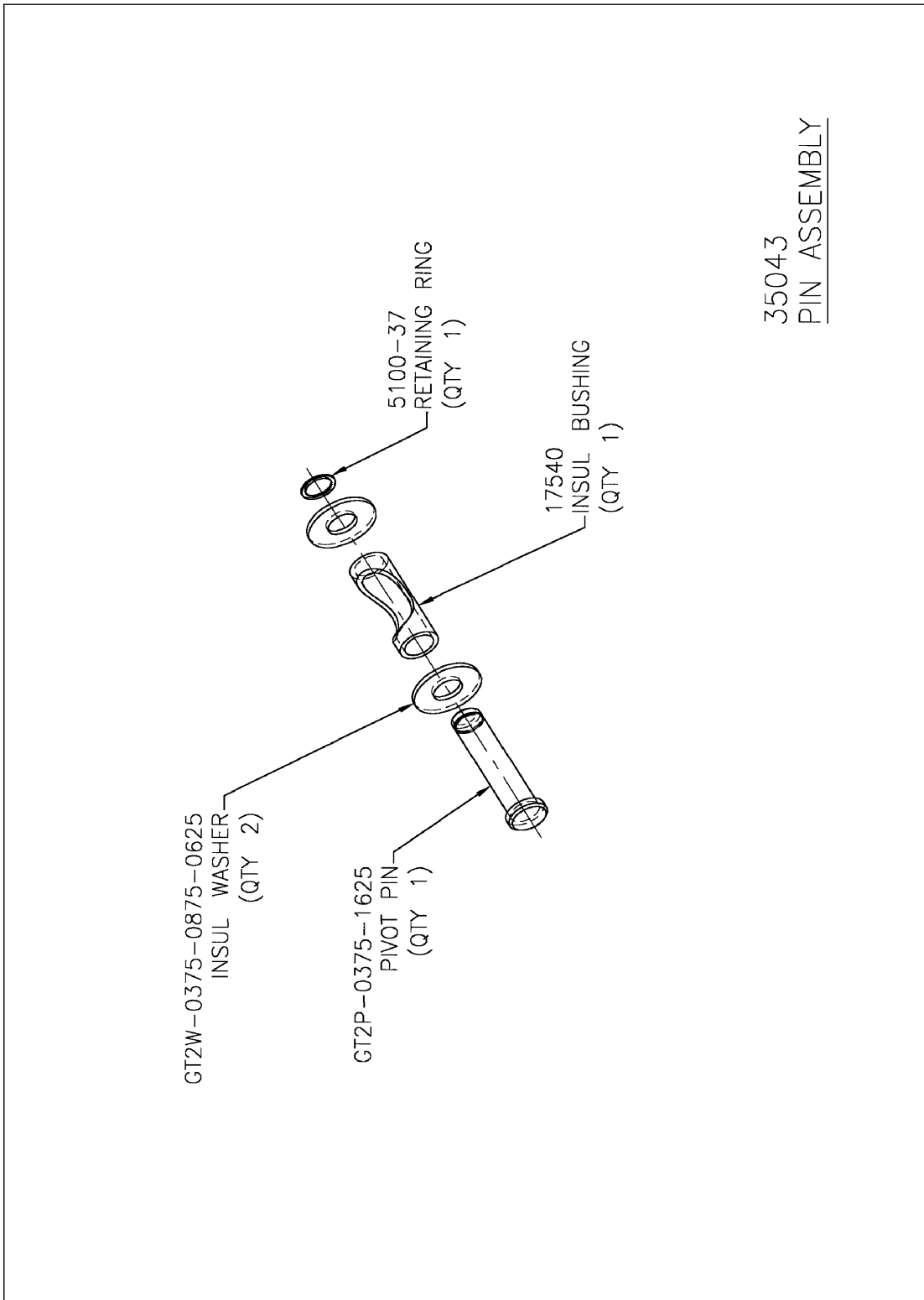




GROSSELI TOOL COMPANY

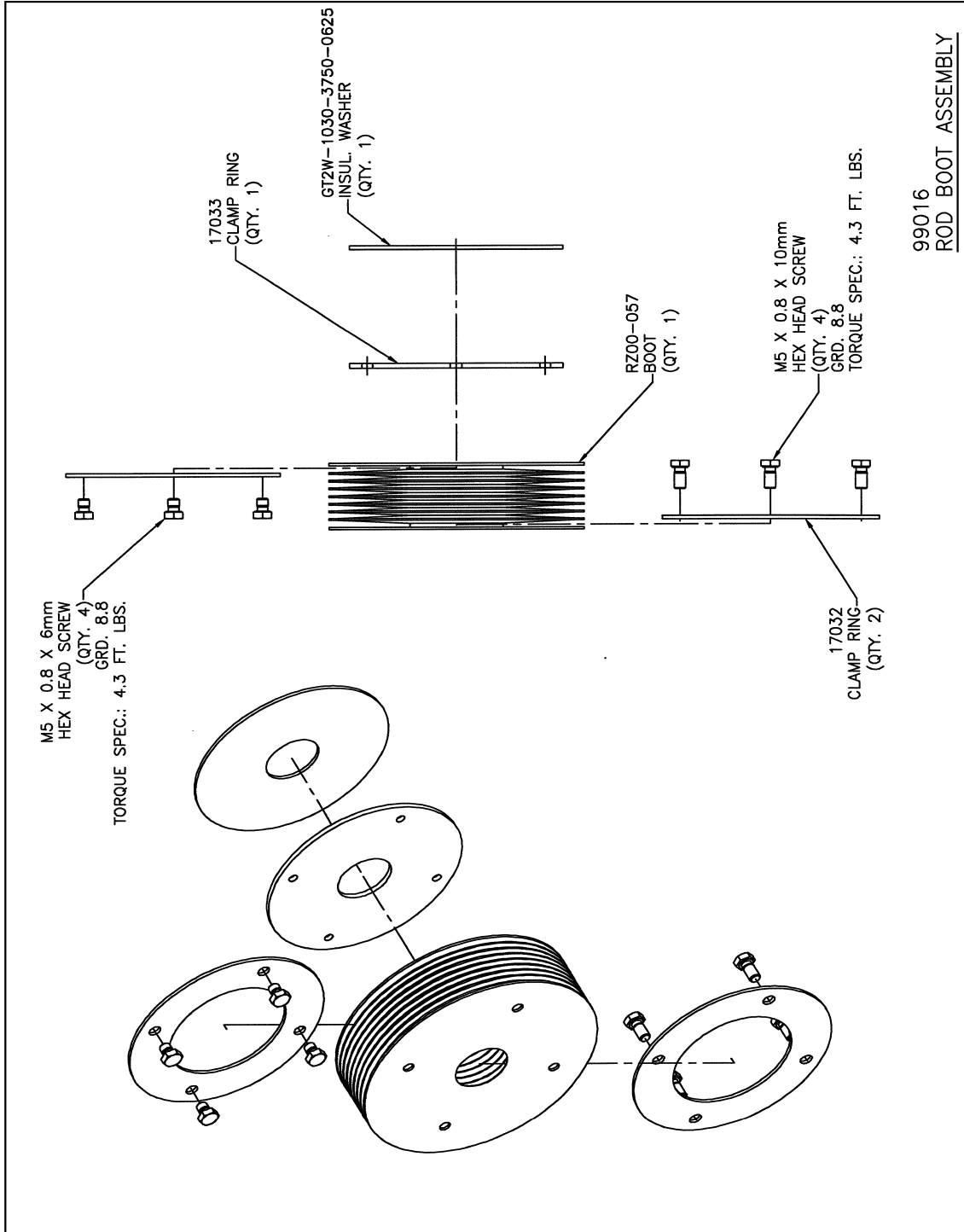


GROSSEL TOOL COMPANY





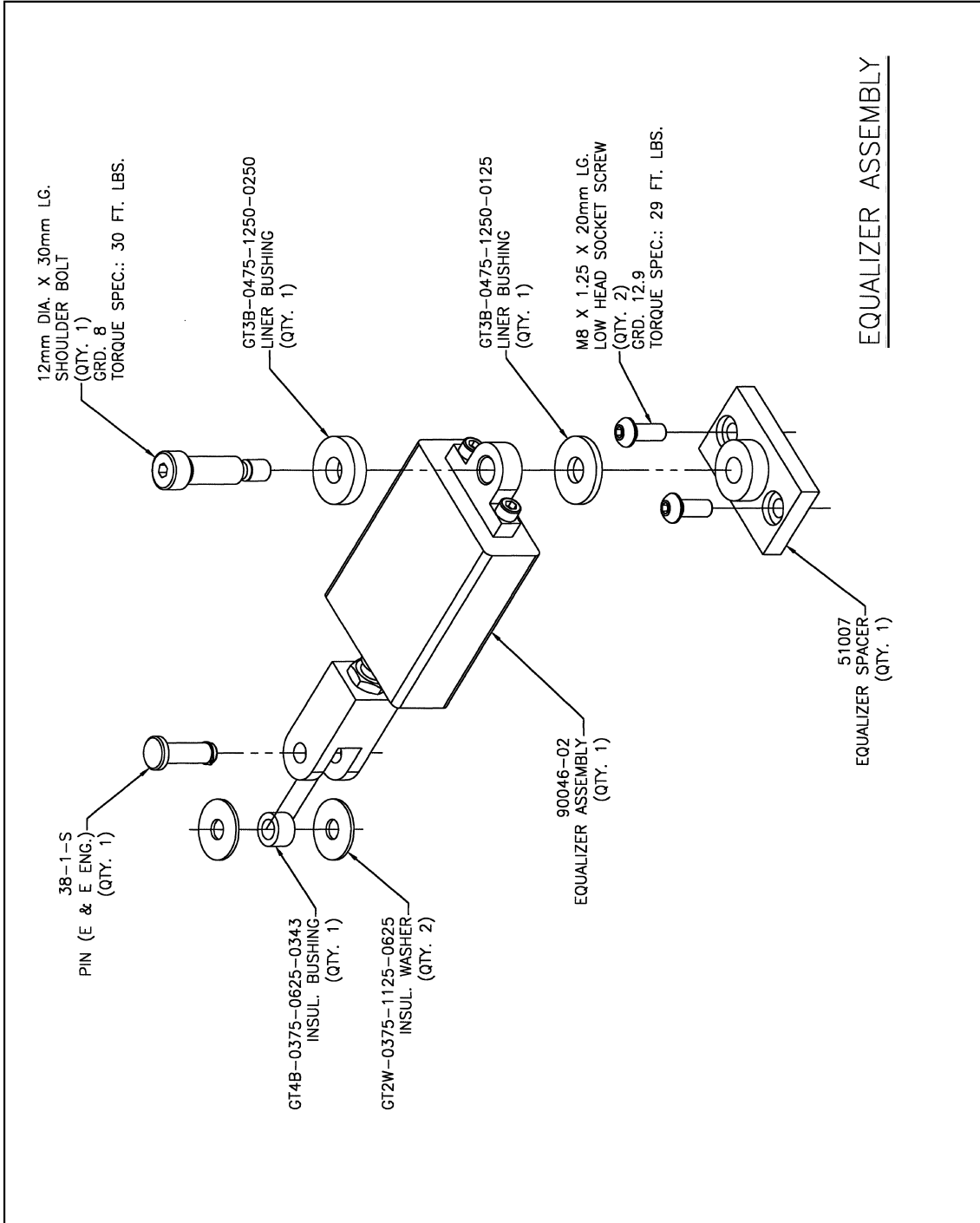
GROSSEL TOOL COMPANY

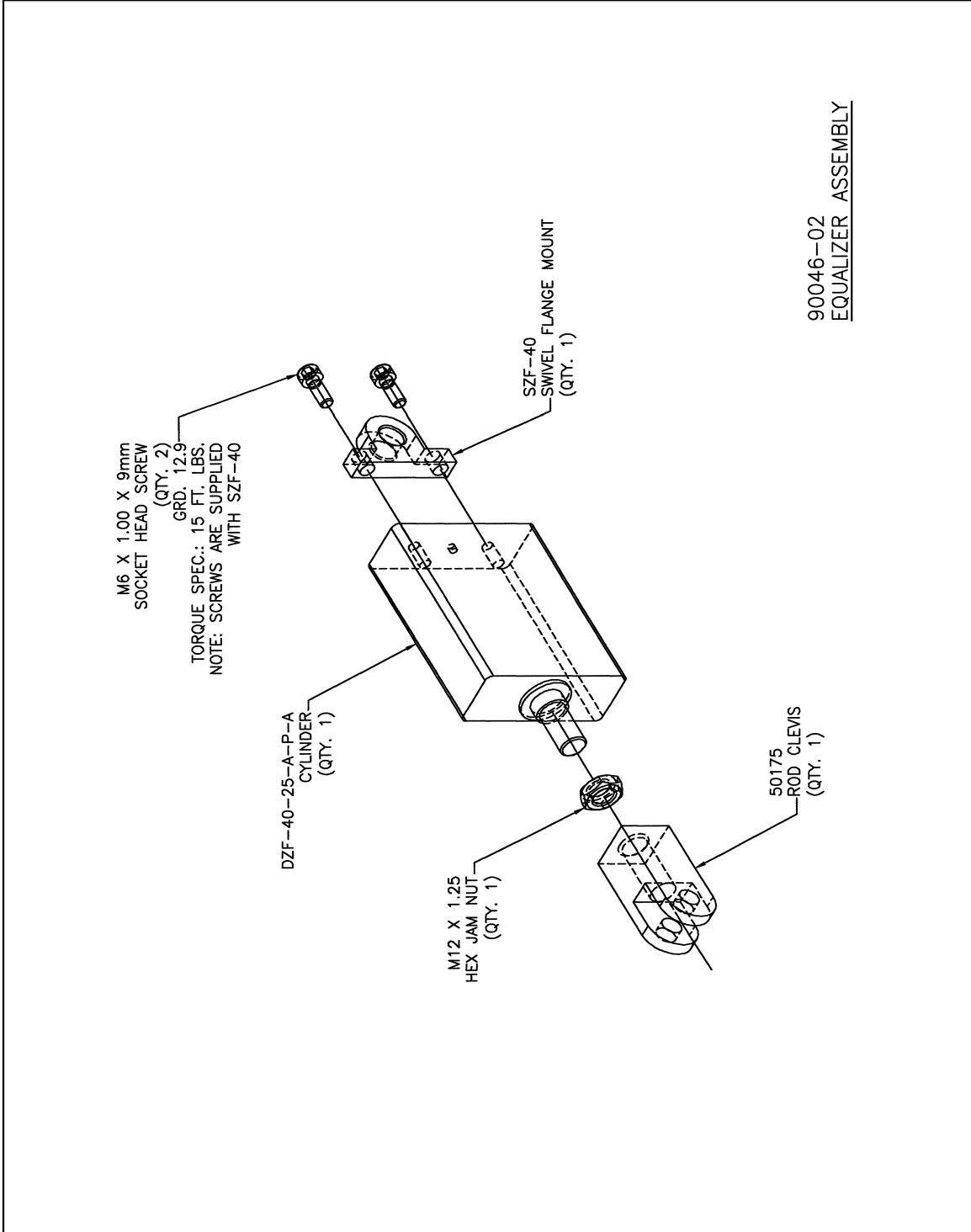


99016  
 ROD BOOT ASSEMBLY



GROSSEL TOOL COMPANY





90046-02  
EQUALIZER ASSEMBLY



GROSSEL TOOL COMPANY

