

Section 10

75189-xx

**Pinch Type / Robot Style
Base Gun**



75189 Print List

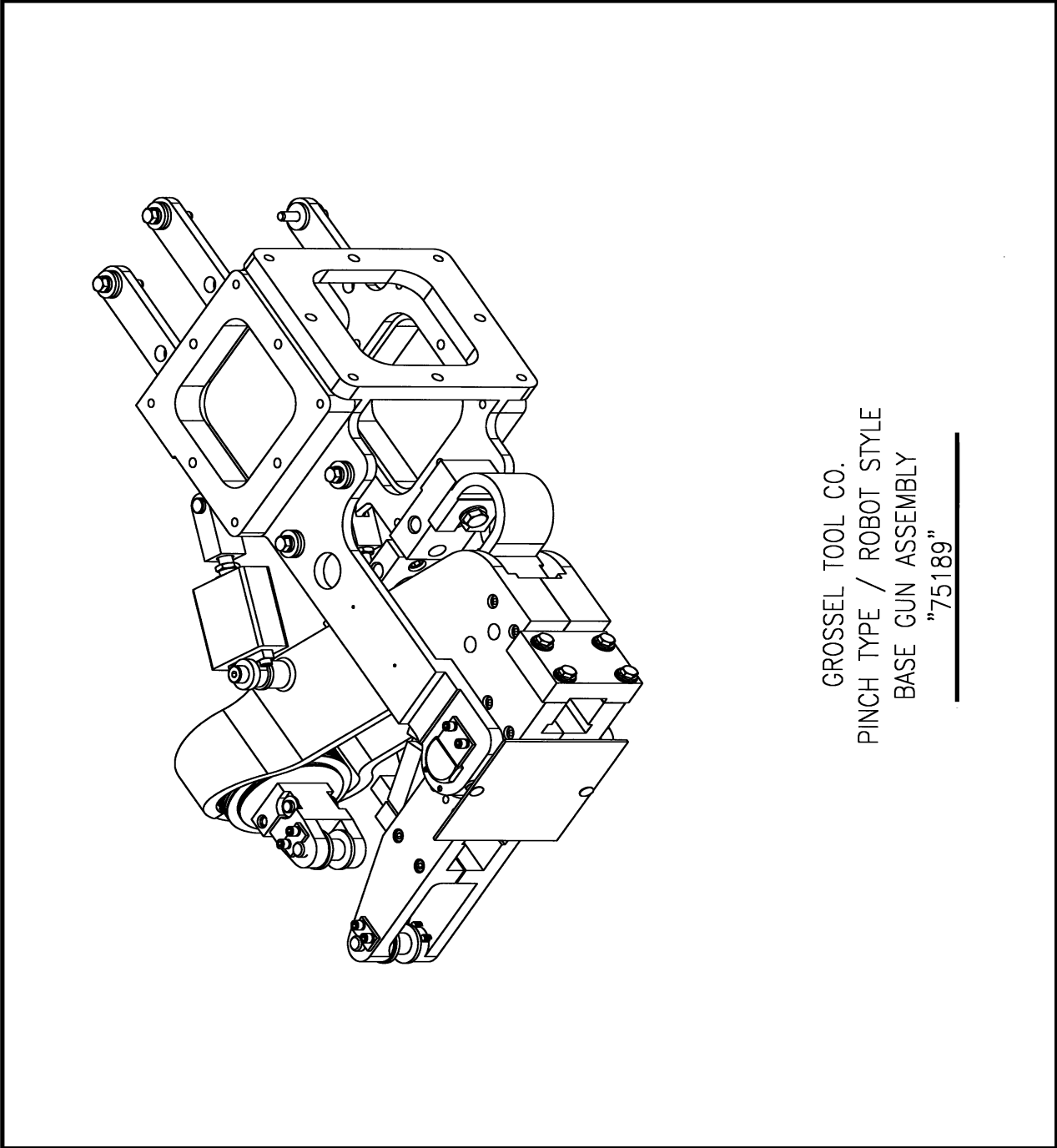
<u>Print</u>	<u>Page</u>
1. Pinch type/Robot Style Assembly-Cover.....	10-4
2. Pinch Base Gun Assembly.....	10-5
3. Moveable Arm Assembly.....	10-6
4. 75025 Male Pivot Assembly.....	10-7
5. 72039-02 Pin Assembly.....	10-8
6. 32497 Movable Shunt Adapter	10-9
7. Stationary Arm Assembly.....	10-10
8. 75188 Cylinder Mount Assembly.....	10-11
9. Mounting Bracket Assembly.....	10-12
10. 72200 Fulcrum Pin Assembly	10-13
11. Clevis Assembly	10-14
12. 72048-01 Pin Assembly	10-15
13. 35043 Pin Assembly	10-16
14. Equalizer Assembly	10-17



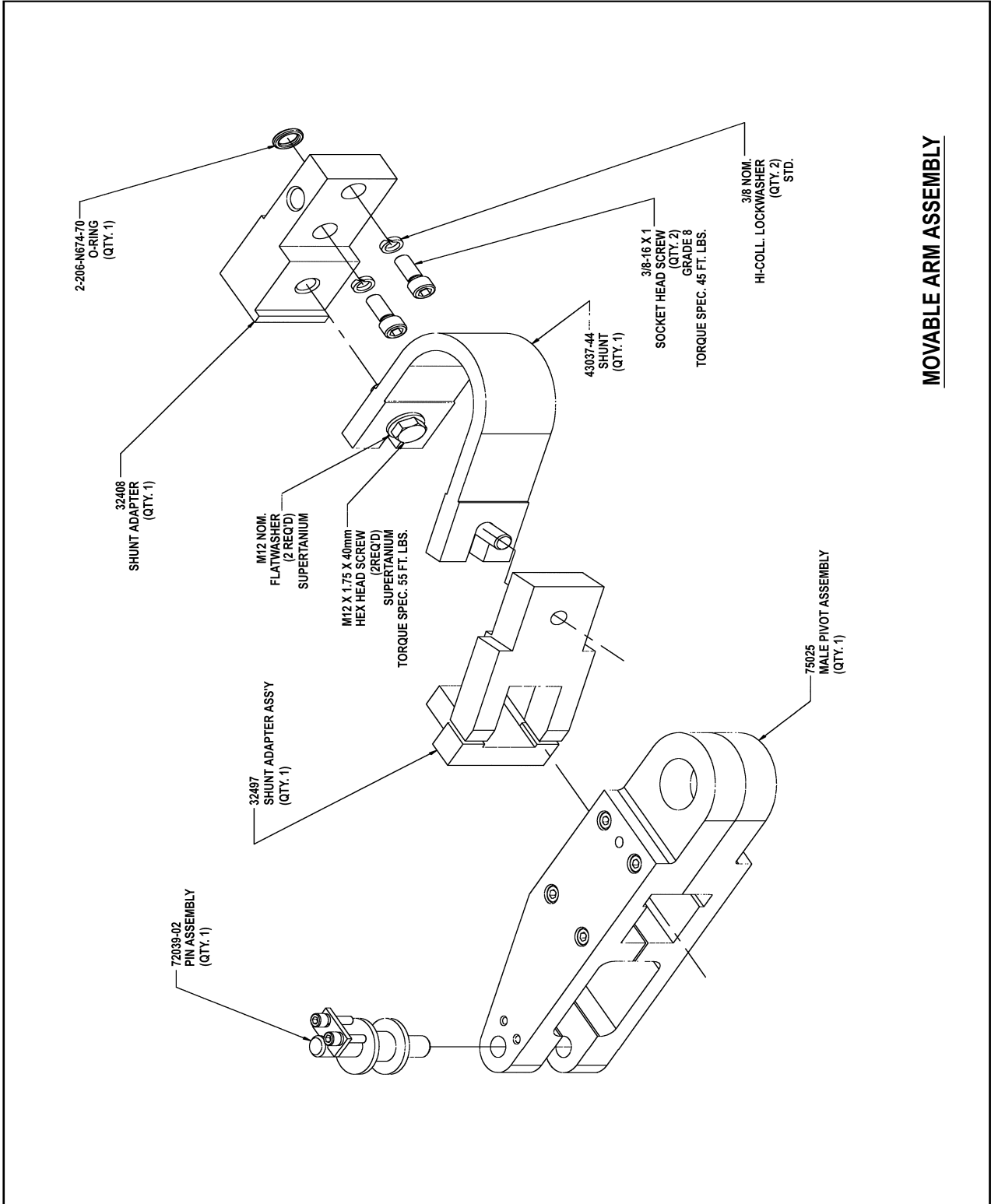
75189 Print List (cont)

<u>Print</u>	<u>Page</u>
15. 90046-13 Equalizer Assembly	10-18
16. 99016 Rod Boot Assembly	10-19
17. 80237-L Spring Pack Assembly	10-20
18. Flash Guard Assembly.....	10-21



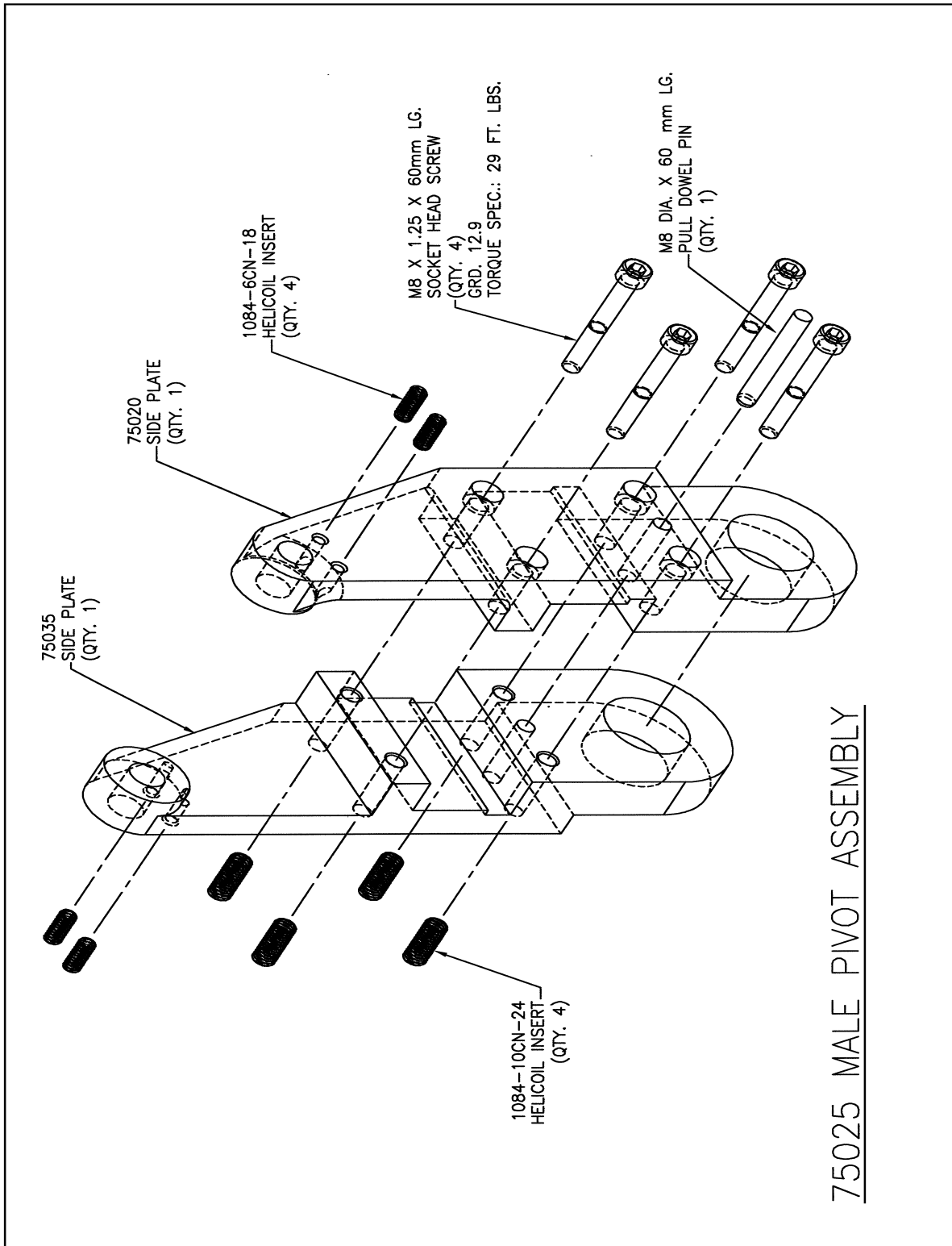


GROSSEL TOOL CO.
PINCH TYPE / ROBOT STYLE
BASE GUN ASSEMBLY
"75189"



MOVABLE ARM ASSEMBLY

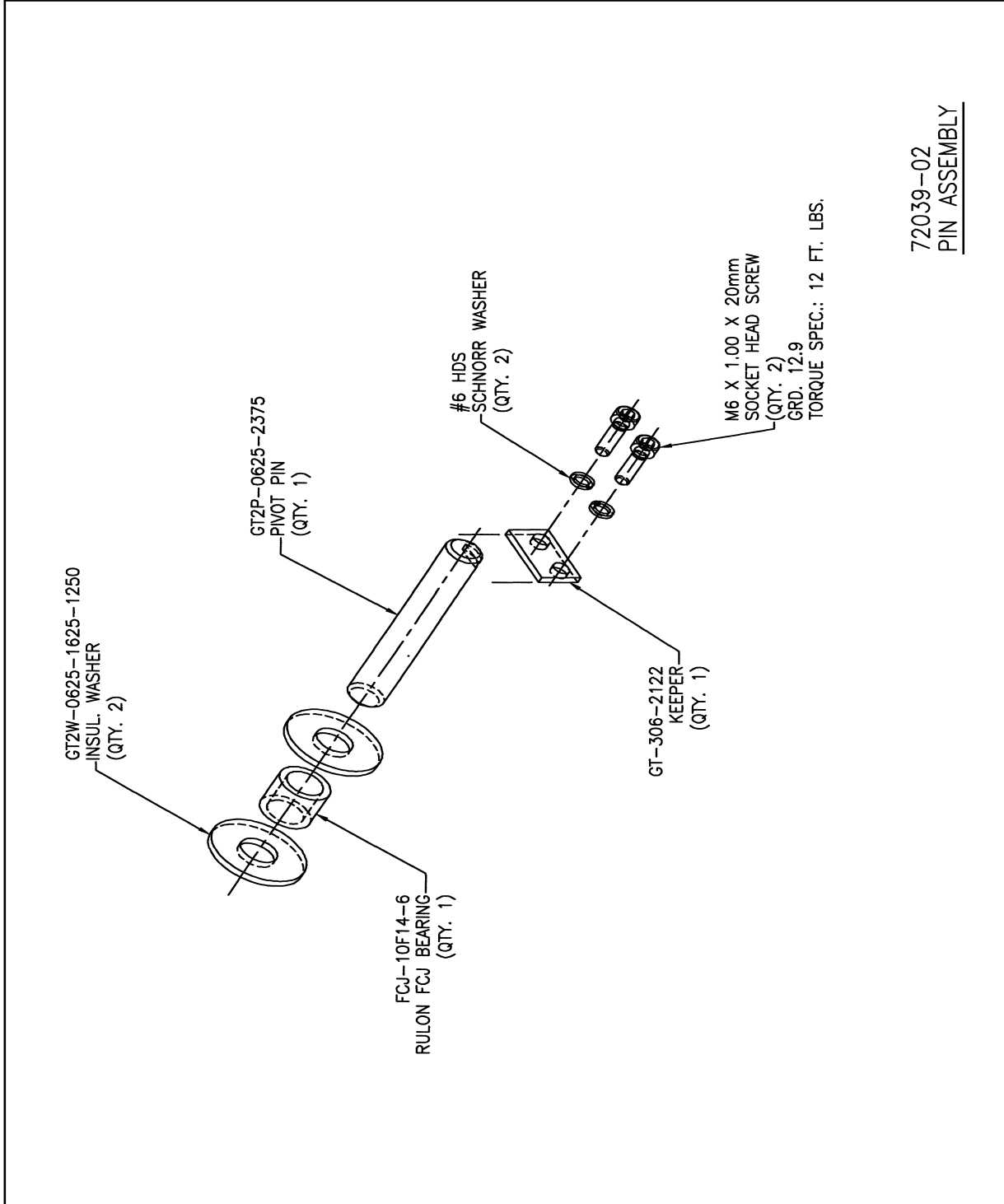


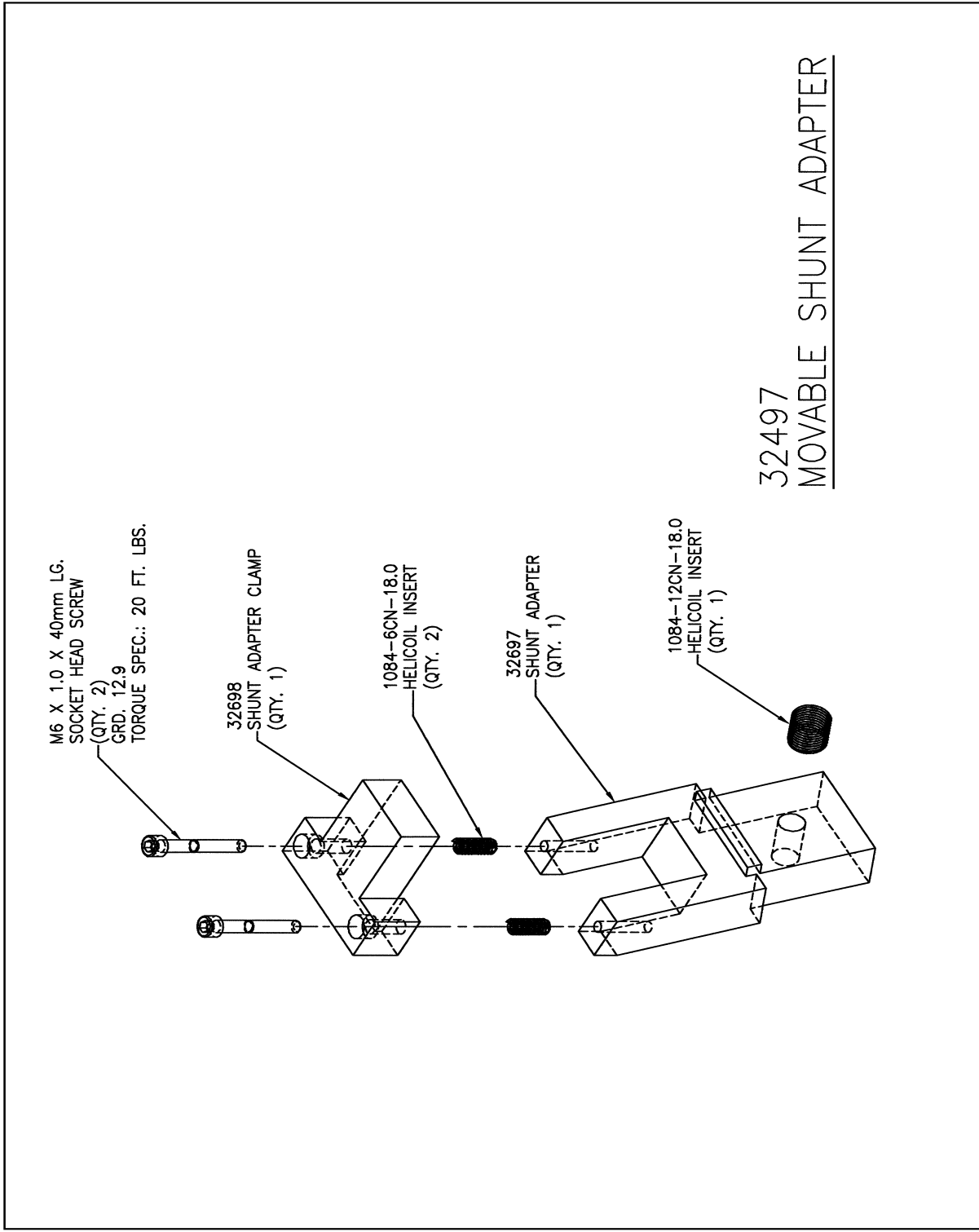


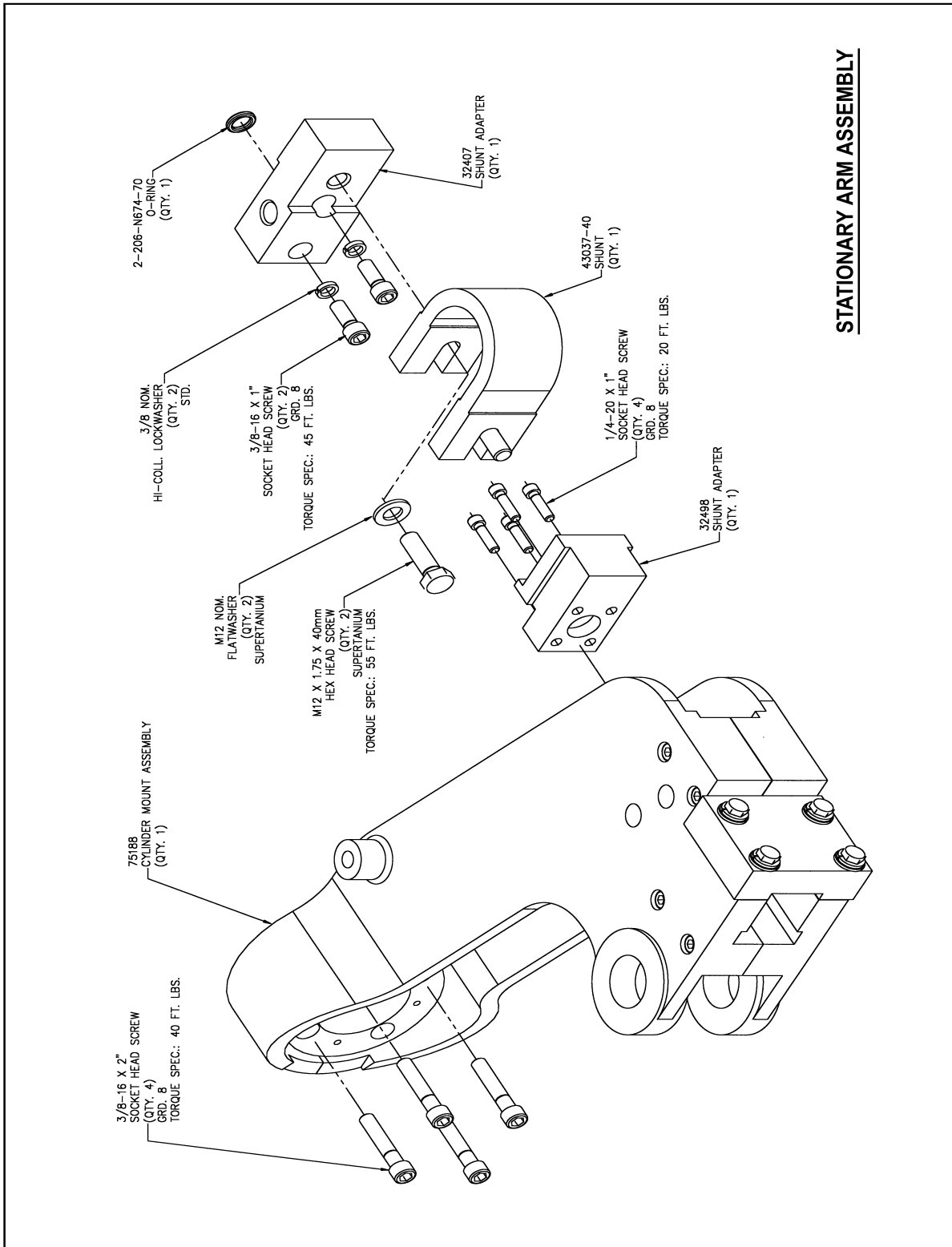
Grossel Tool
 Modular Base Gun Assembly MANUAL

SECTION 10: 75189-XX

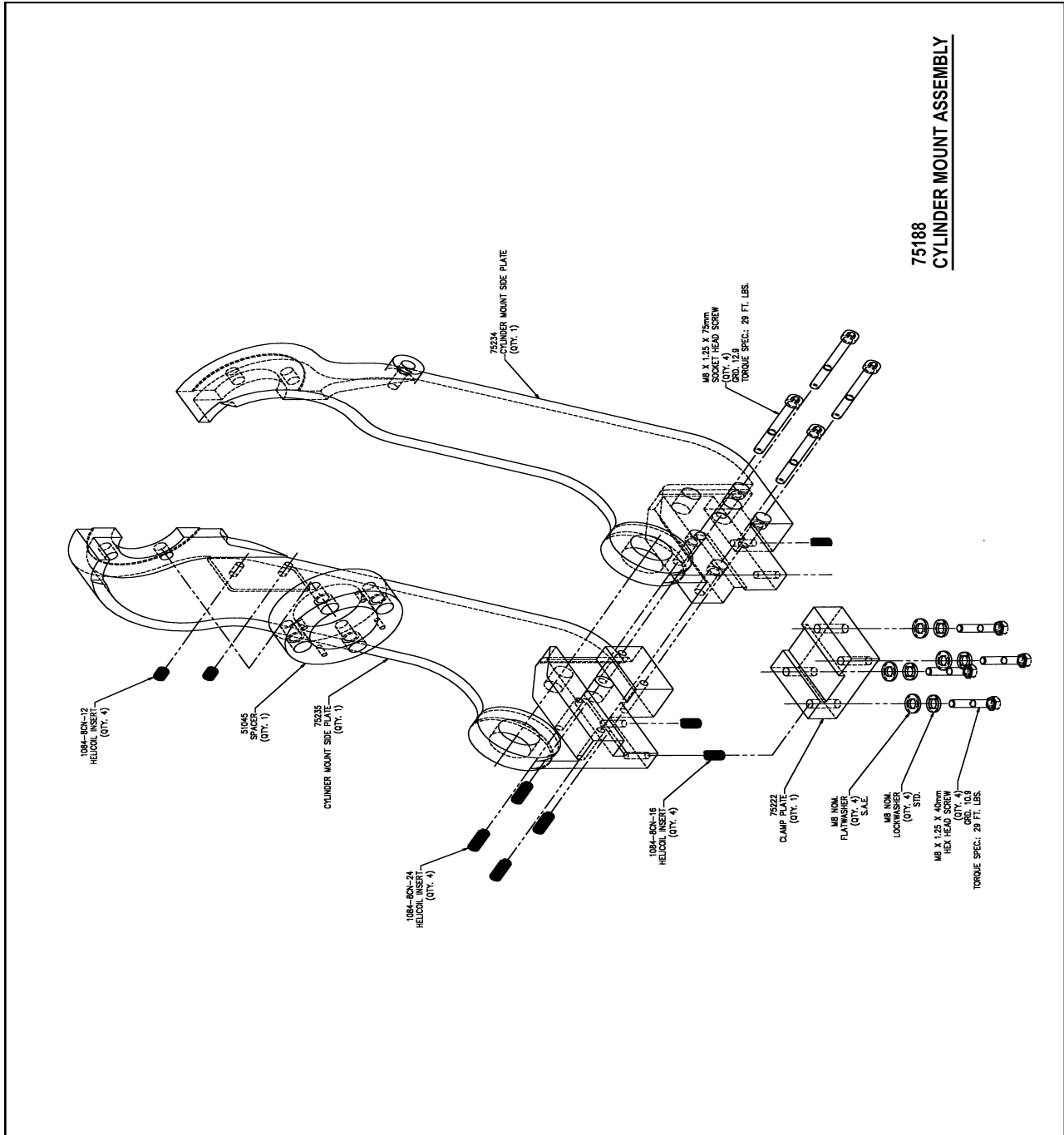
GROSSEL TOOL COMPANY







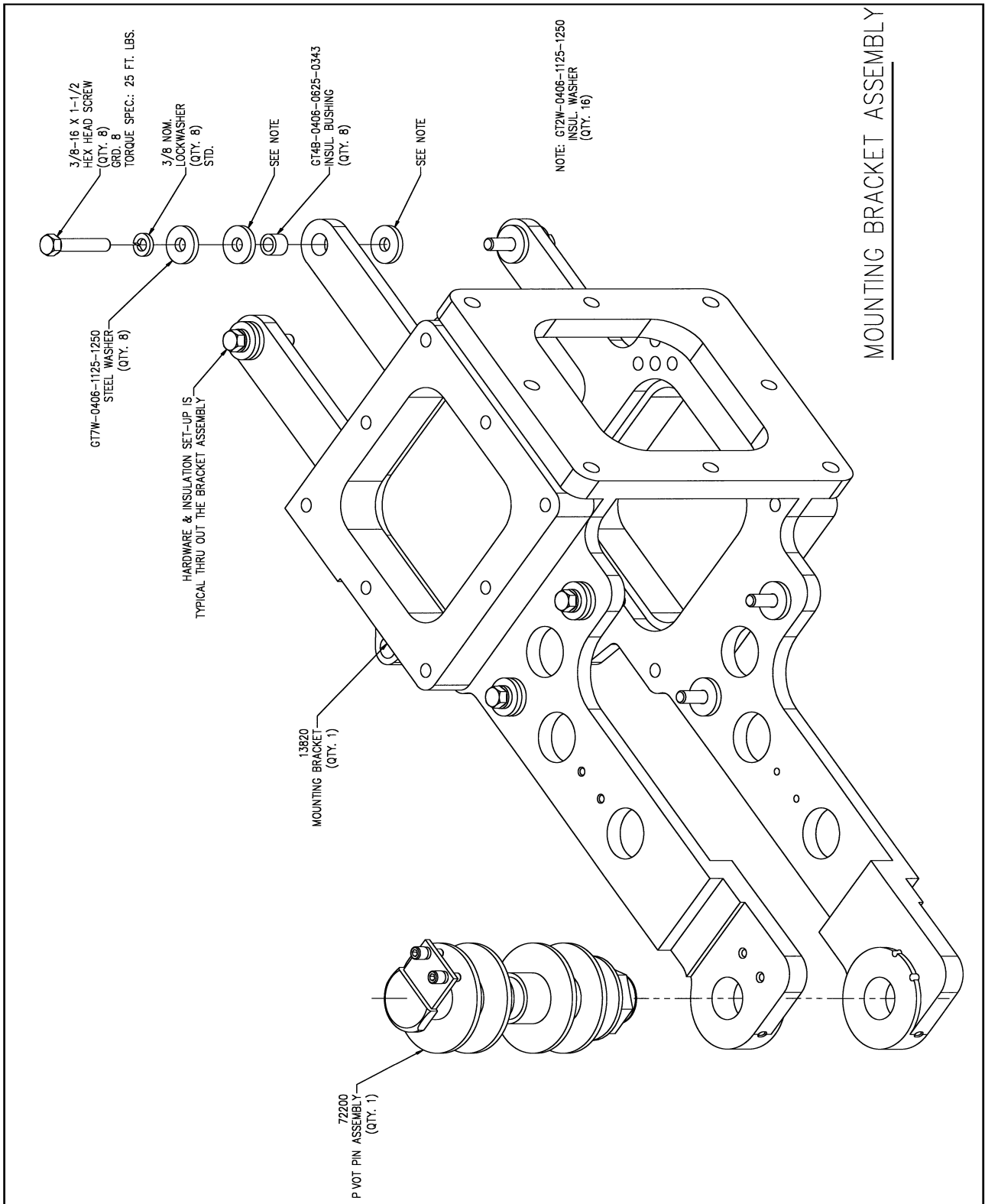
STATIONARY ARM ASSEMBLY



75188
CYLINDER MOUNT ASSEMBLY

Grossel Tool
 Modular Base Gun Assembly MANUAL

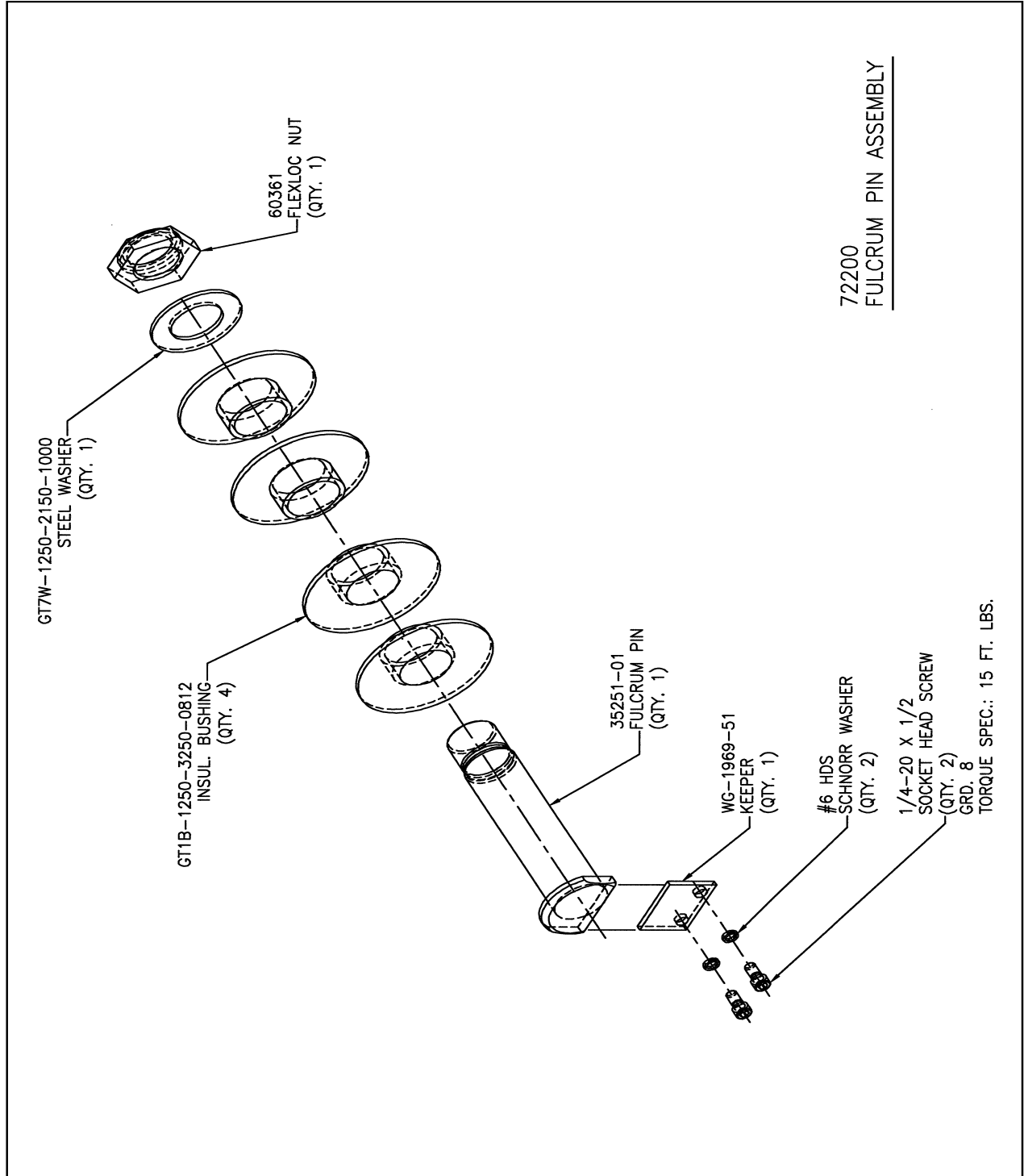
SECTION 10: 75189-XX

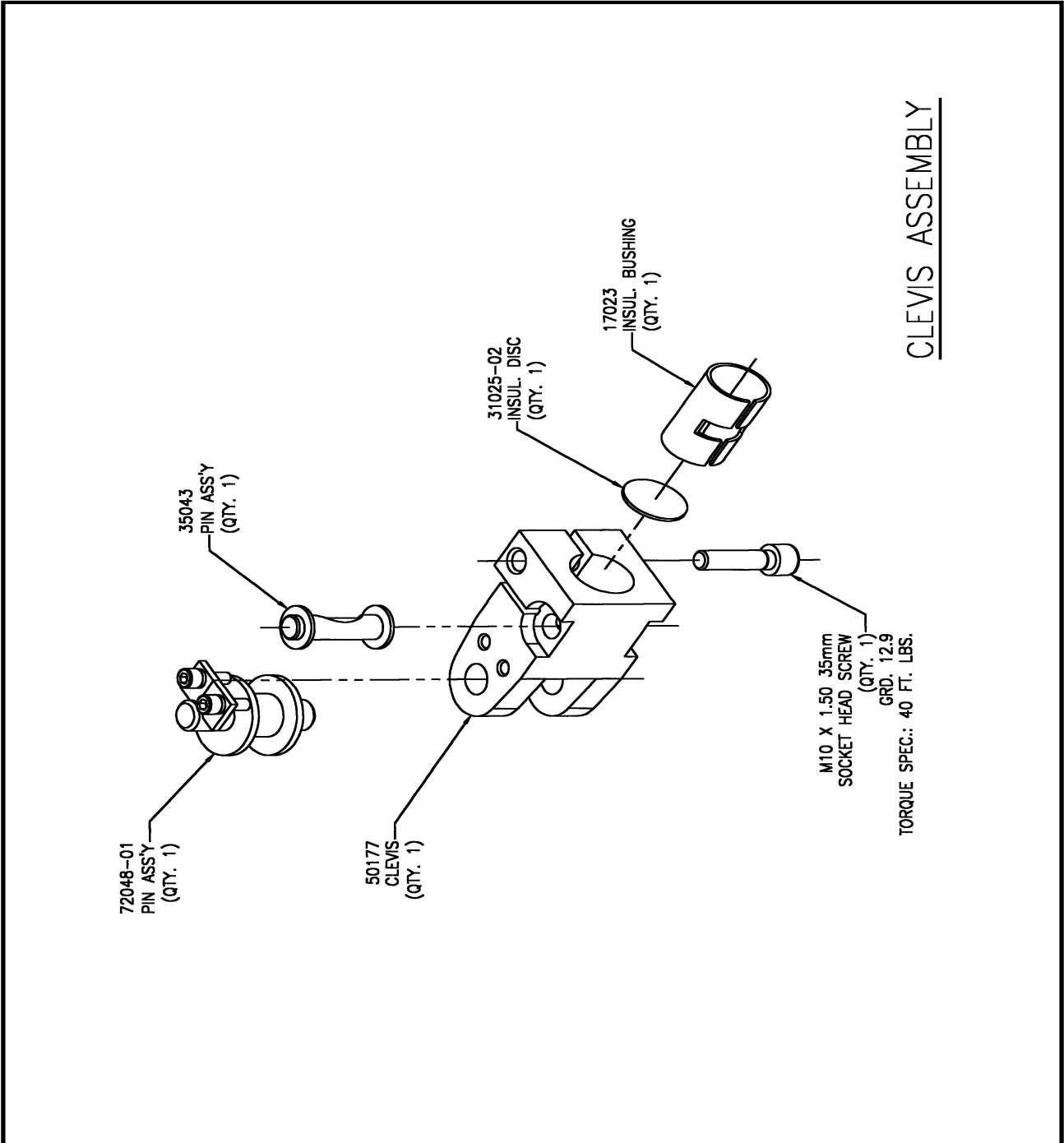


Grossel Tool
 Modular Base Gun Assembly MANUAL

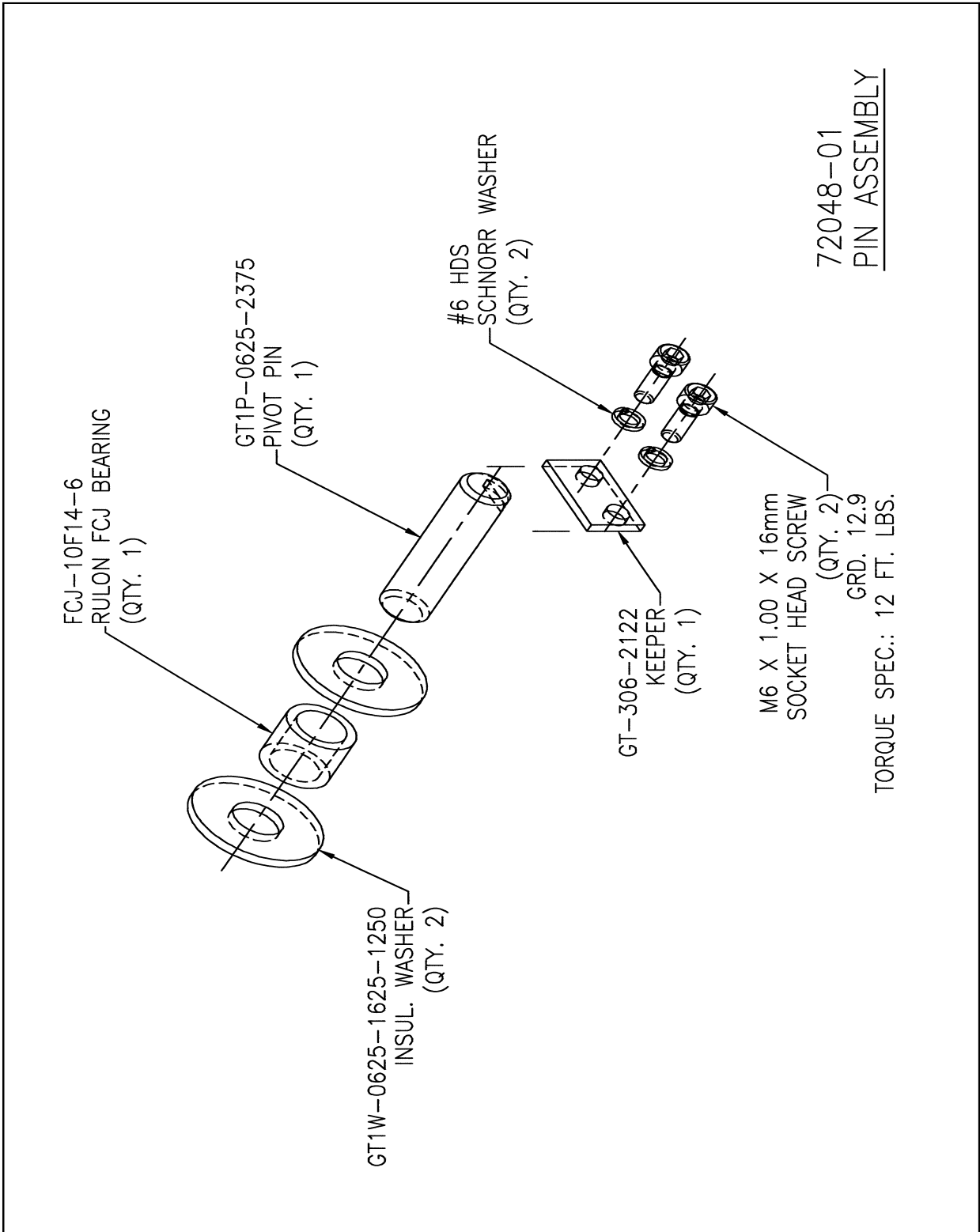
SECTION 10: 75189-XX

GROSSEL TOOL COMPANY

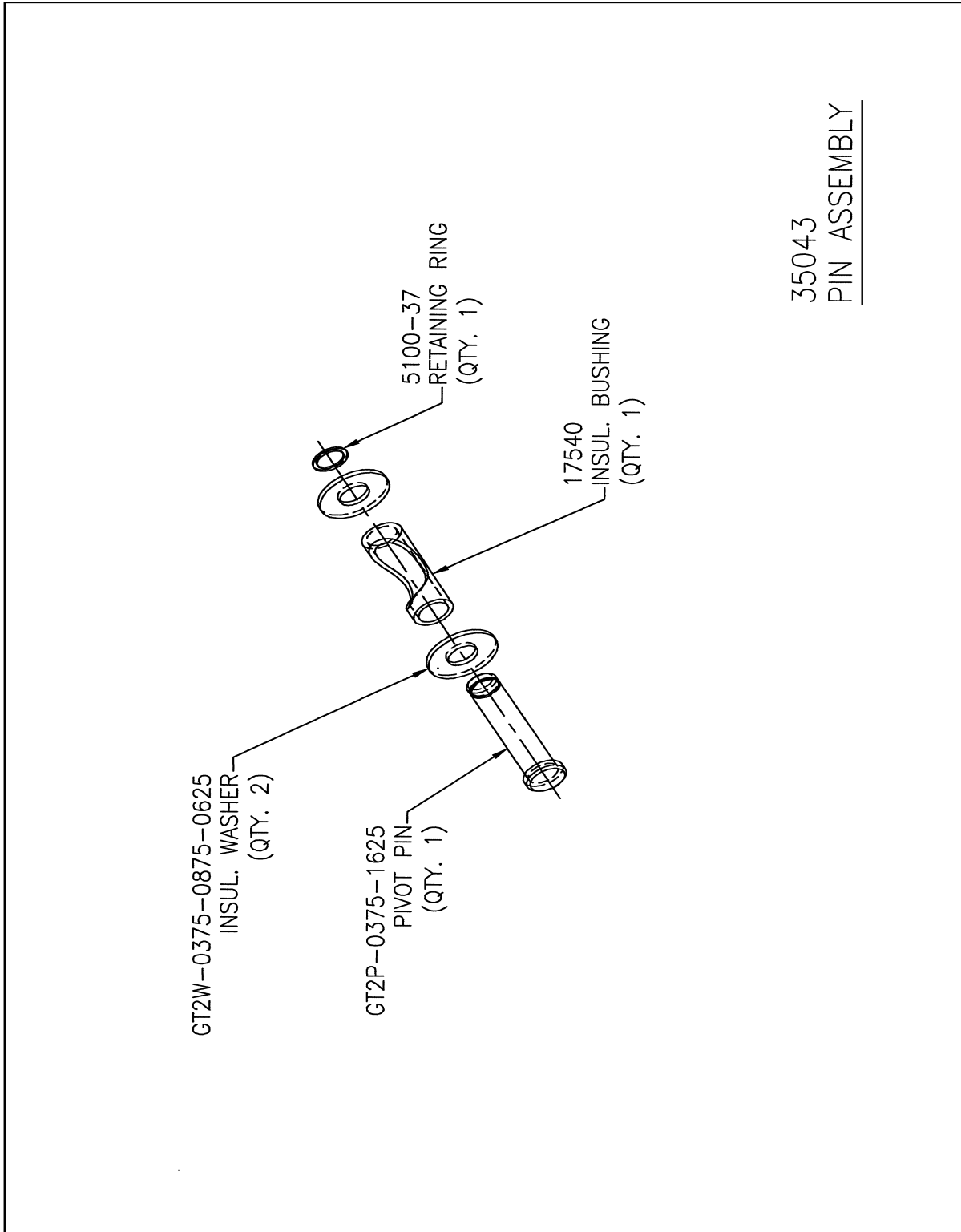




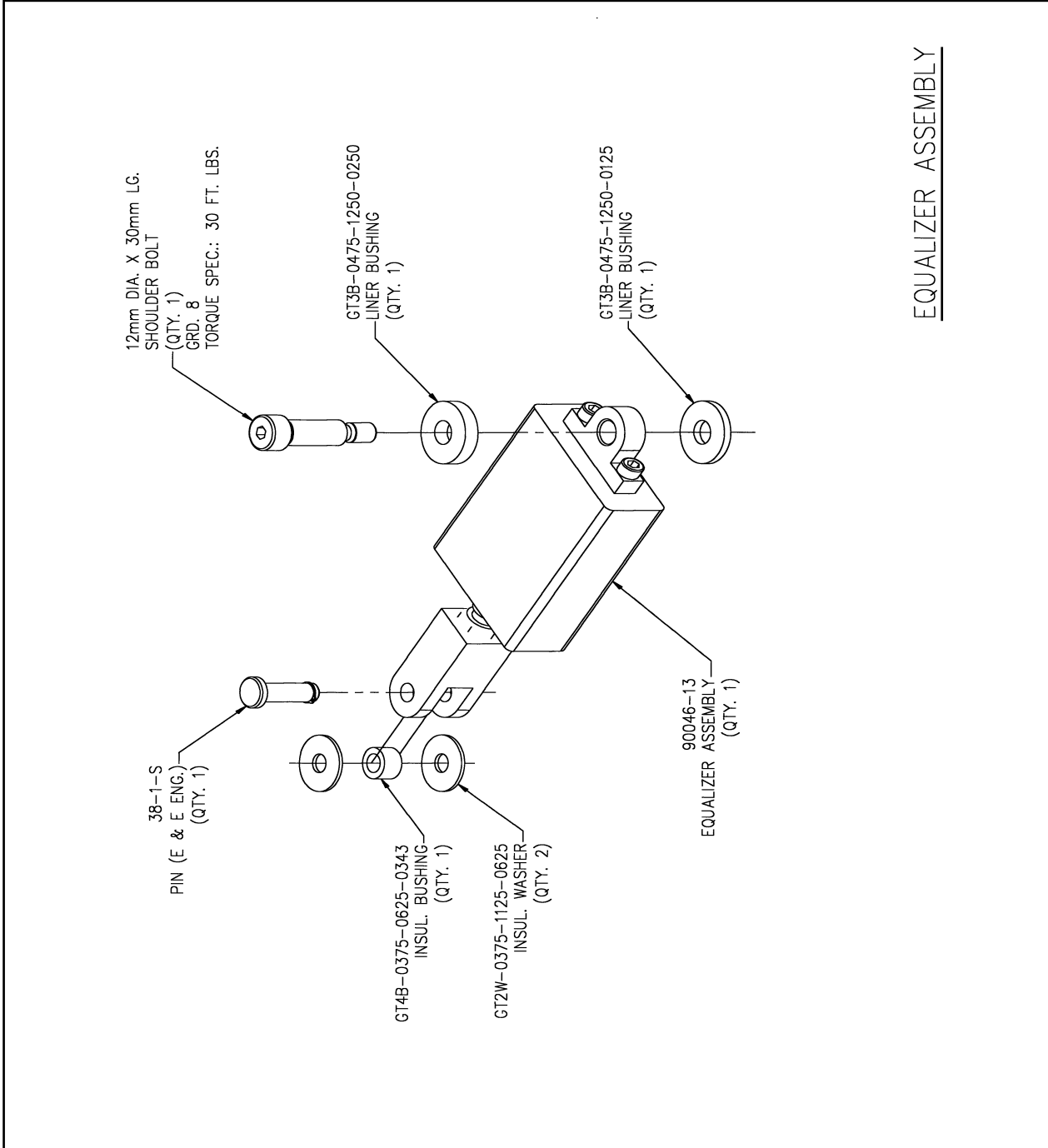
GROSSEFI TOOL COMPANY



GROSSEFI TOOL COMPANY



GROSSEL TOOL COMPANY



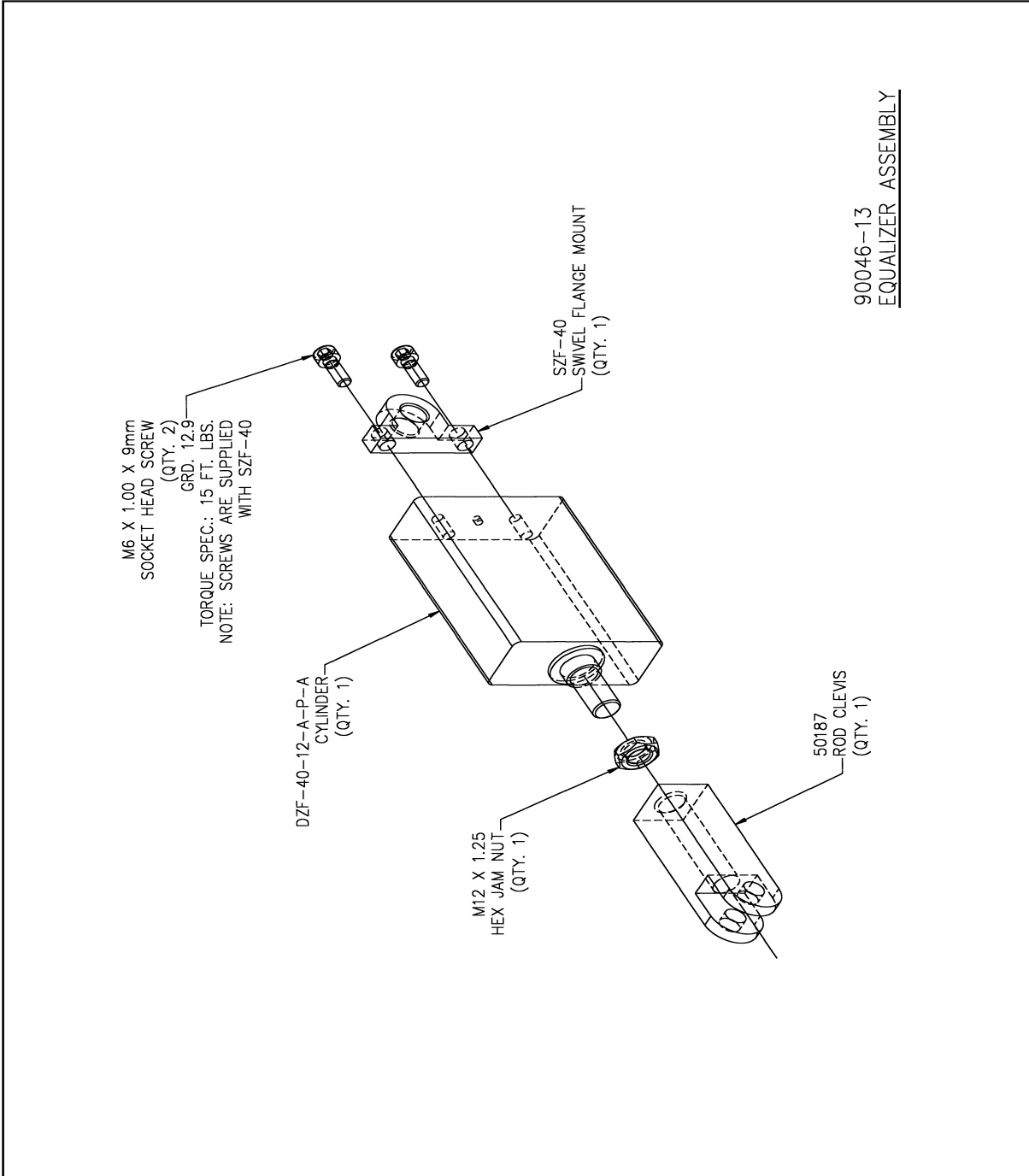
EQUALIZER ASSEMBLY



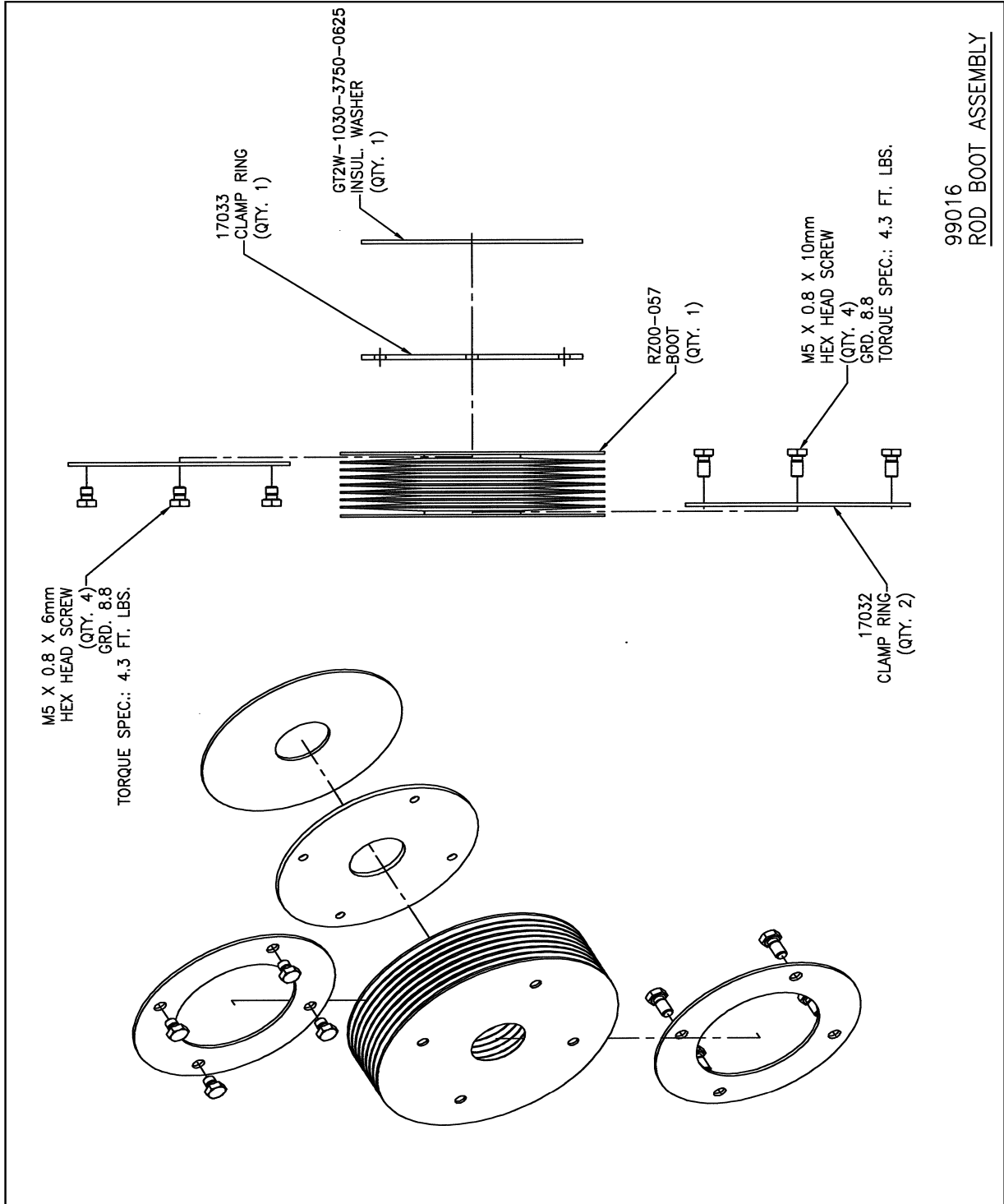
Grossel Tool
 Modular Base Gun Assembly MANUAL

SECTION 10: 75189-XX

GROSSEL TOOL COMPANY

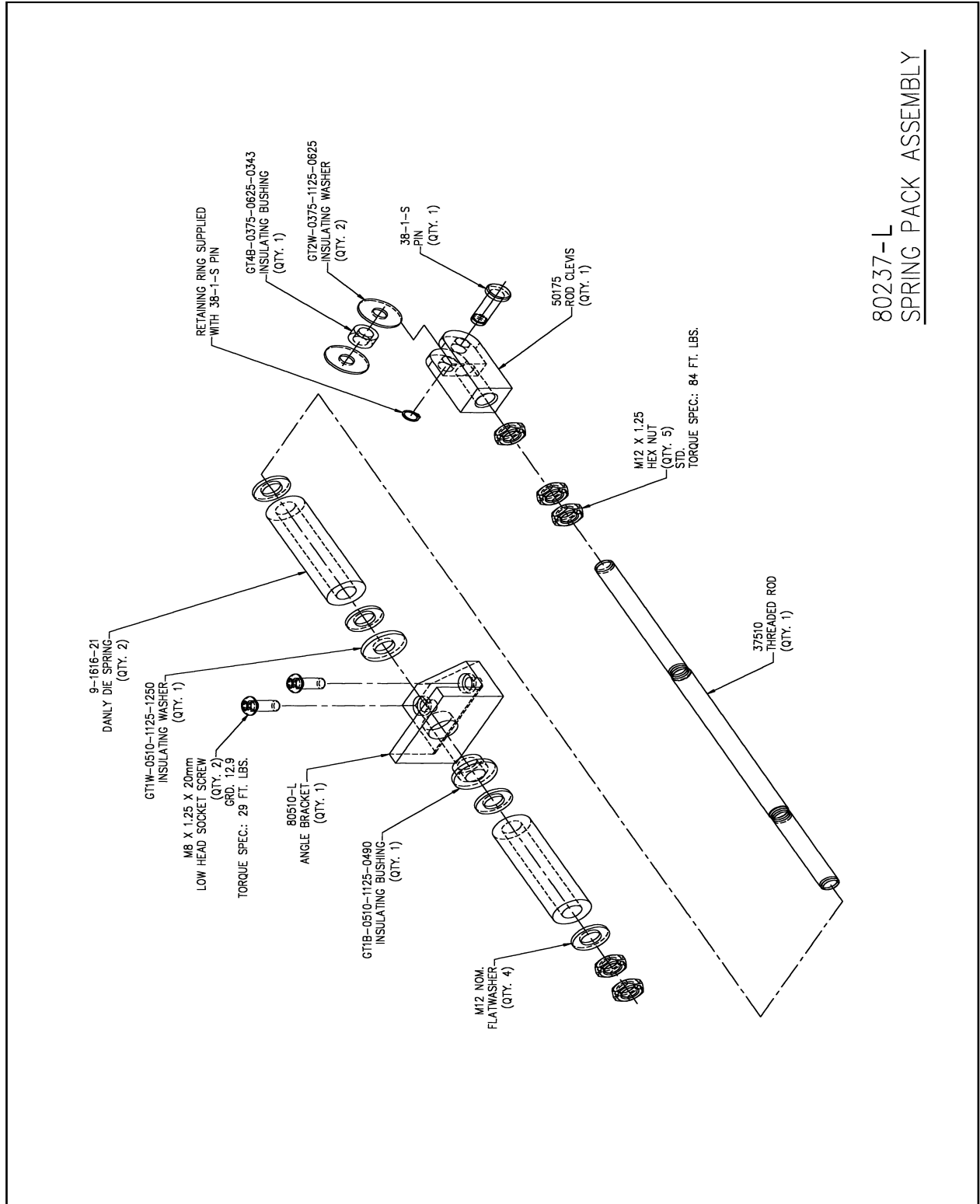


GROSSEL TOOL COMPANY



99016
 ROD BOOT ASSEMBLY





80237-L
 SPRING PACK ASSEMBLY

GROSSEL TOOL COMPANY

