

Grossel Tool Company

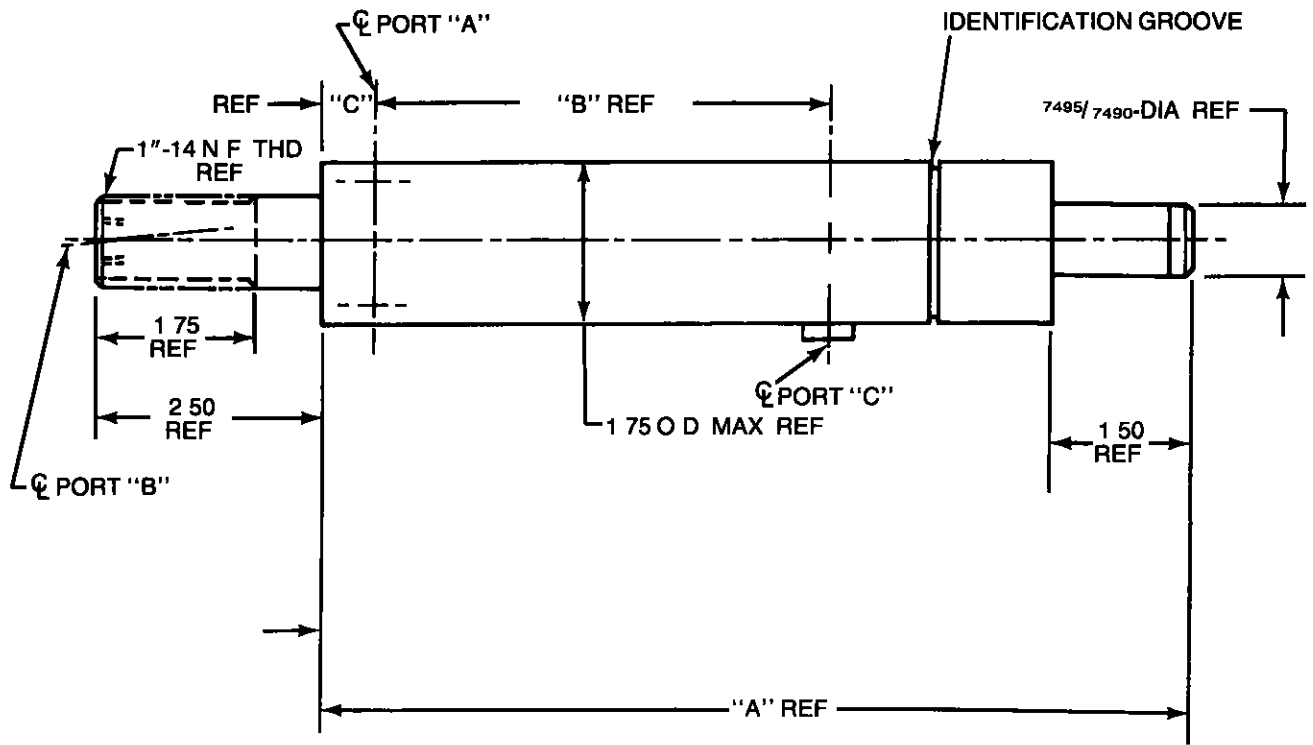
Cylinder Catalogue

Section I

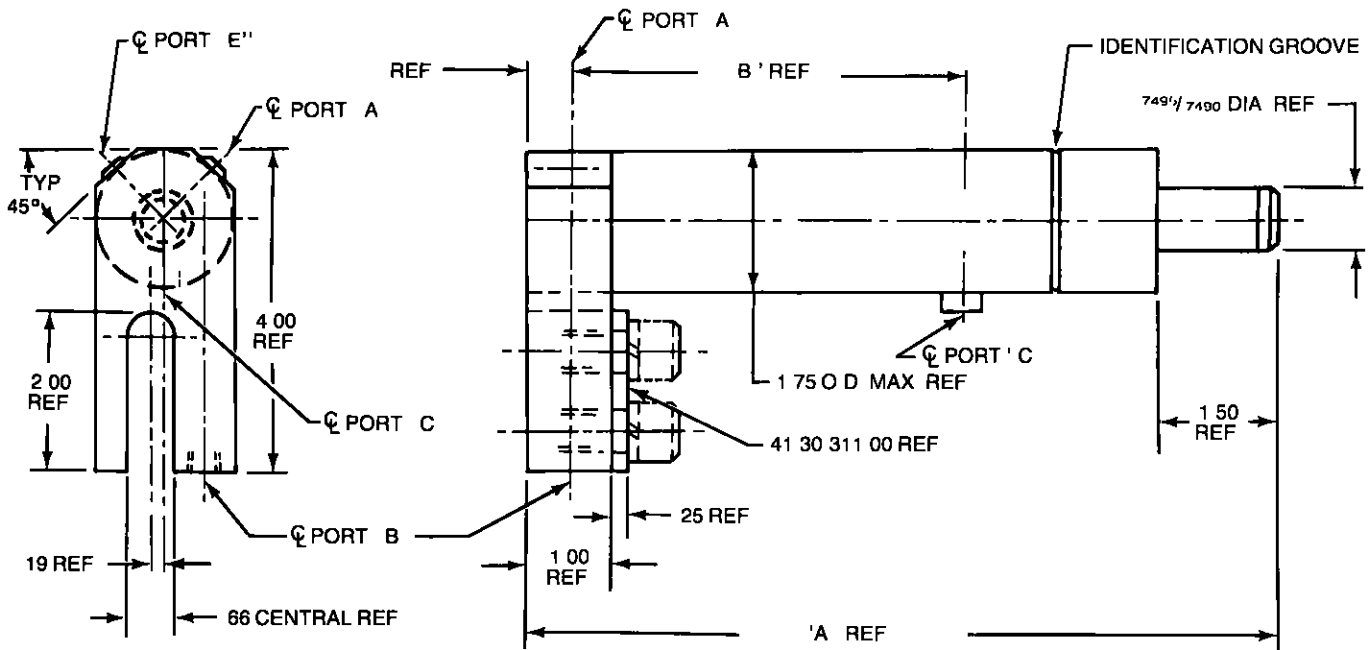
Single Piston

Hydraulic Cylinders

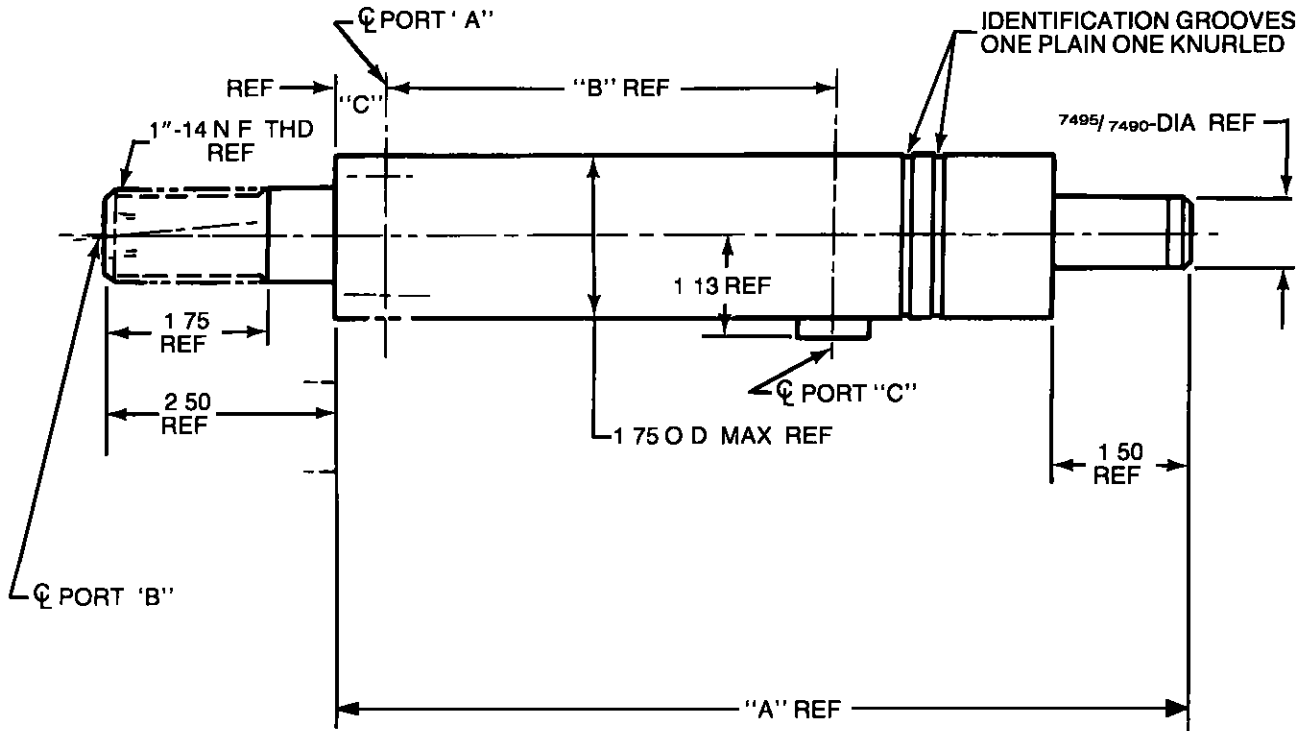




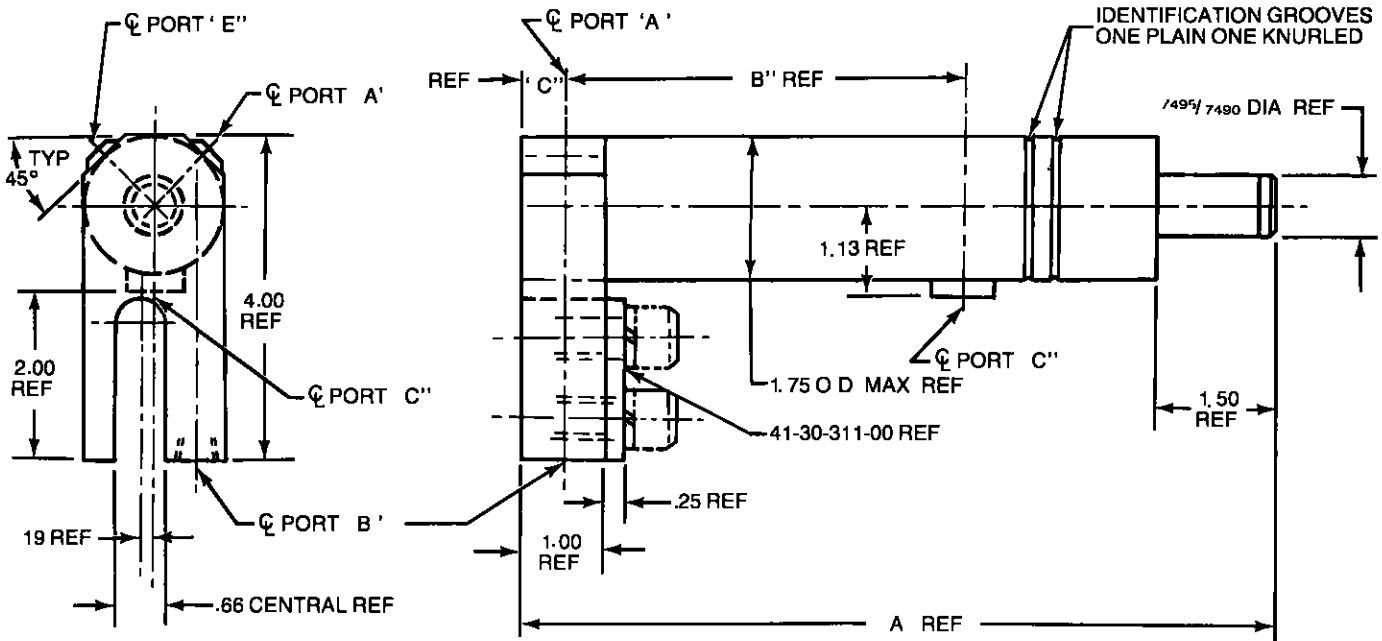
EXAMPLE OF CODE				TABULATED DIMENSIONS				PISTON AREA		FORCE AT LINE PRESSURE PSI		
mfg std	mntg style	nom sq in area	strk in 1/4 in incr	A	B	C	FORWARD	RE-TURN	300	400	500	
41	98	100	08									
BORE	MODEL NO		STROKE									
1 1/8	41-98-100-08		2	9 1/2	4 88	56	.994 sq in	.553 sq in	298 lbs	397 lbs	497 lbs	
	41-98-100-12		3	11	6 88							
1 1/8	41-98-100-16		4	13	8 88	56	.994 sq in	.553 sq in	298 lbs	397 lbs	497 lbs	
	41-98-100-20		5	15	10 88							



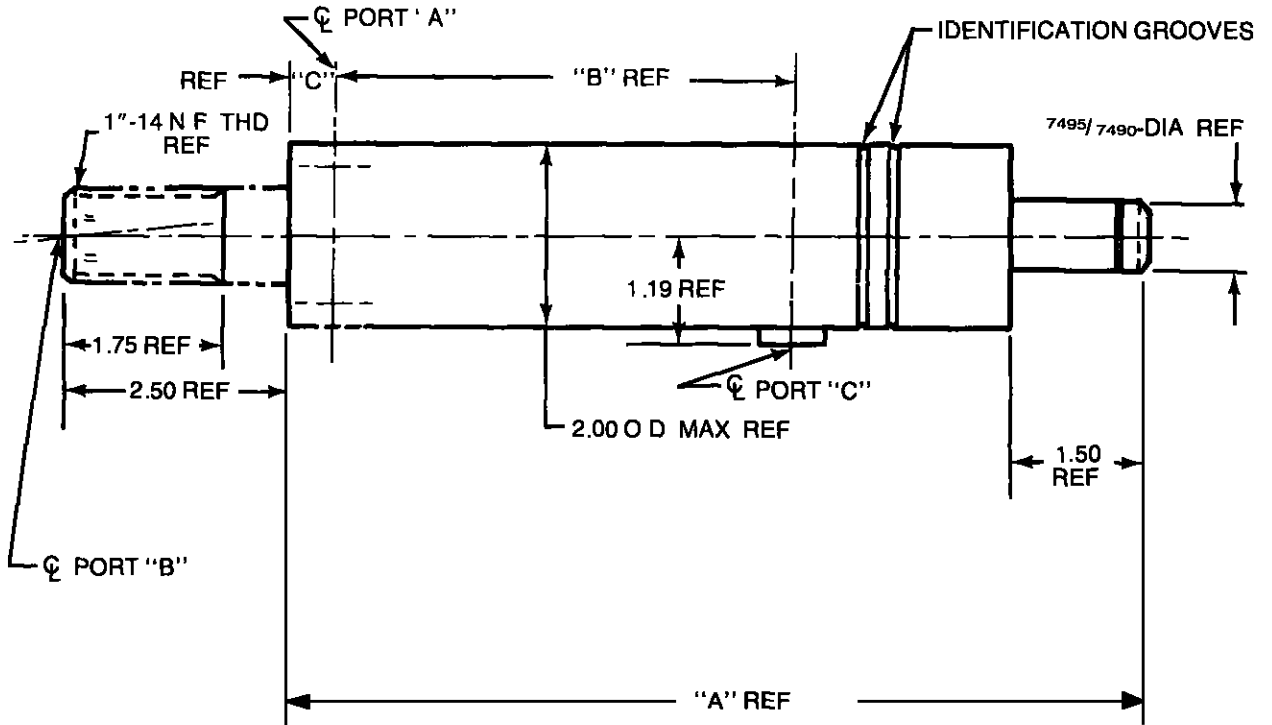
EXAMPLE OF CODE				TABULATED DIMENSIONS				PISTON AREA		FORCE AT LINE PRESSURE PSI		
mfg std	mtng style	nom sq in area	strk in 1/4 in Incr	A	B	C	FORWARD	RE-TURN	300	400	500	
41 - 99 - 100 - 08				A	B	C	FORWARD	RE-TURN	300	400	500	
BORE	MODEL NO	STROKE	sq in				sq in	lbs	lbs	lbs		
1 1/8	41-99-100-08	2	9 1/2	4.94	56	994	553	298	397	497		
	41-99-100-12	3	11	6.94		sq in	sq in	lbs	lbs	lbs		
1 1/8	41-99-100-16	4	13	8.94	56	994	553	298	397	497		
	41-99-100-20	5	15	10.94		sq in	sq in	lbs	lbs	lbs		



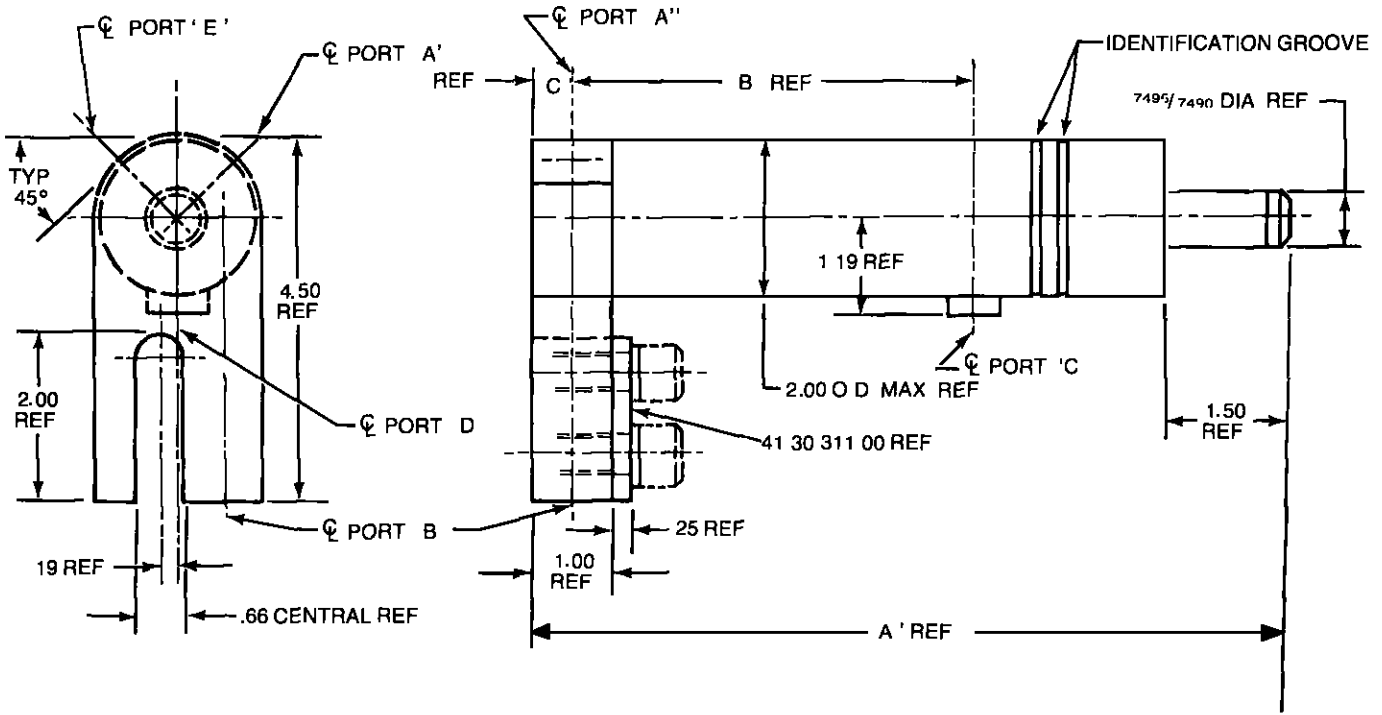
EXAMPLE OF CODE				TABULATED DIMENSIONS				PISTON AREA		FORCE AT LINE PRESSURE PSI		
mfg std	mntg style	nom sq in area	strk in 1/4 in incr	A	B	C	FORWARD	RE-TURN	300	400	500	
41	98	150	08									
BORE		MODEL NO		STROKE								
1 3/8	41-98-150-08		2	9 1/2	4.88	56	1.48	1.05	444	592	740	
	41-98-150-12		3	11	6.88		sq in	sq in	lbs	lbs	lbs	
1 3/8	41-98-150-16		4	13	8.88	56	1.48	1.05	444	592	740	
	41-98-150-20		5	15	10.88		sq in	sq in	lbs	lbs	lbs	



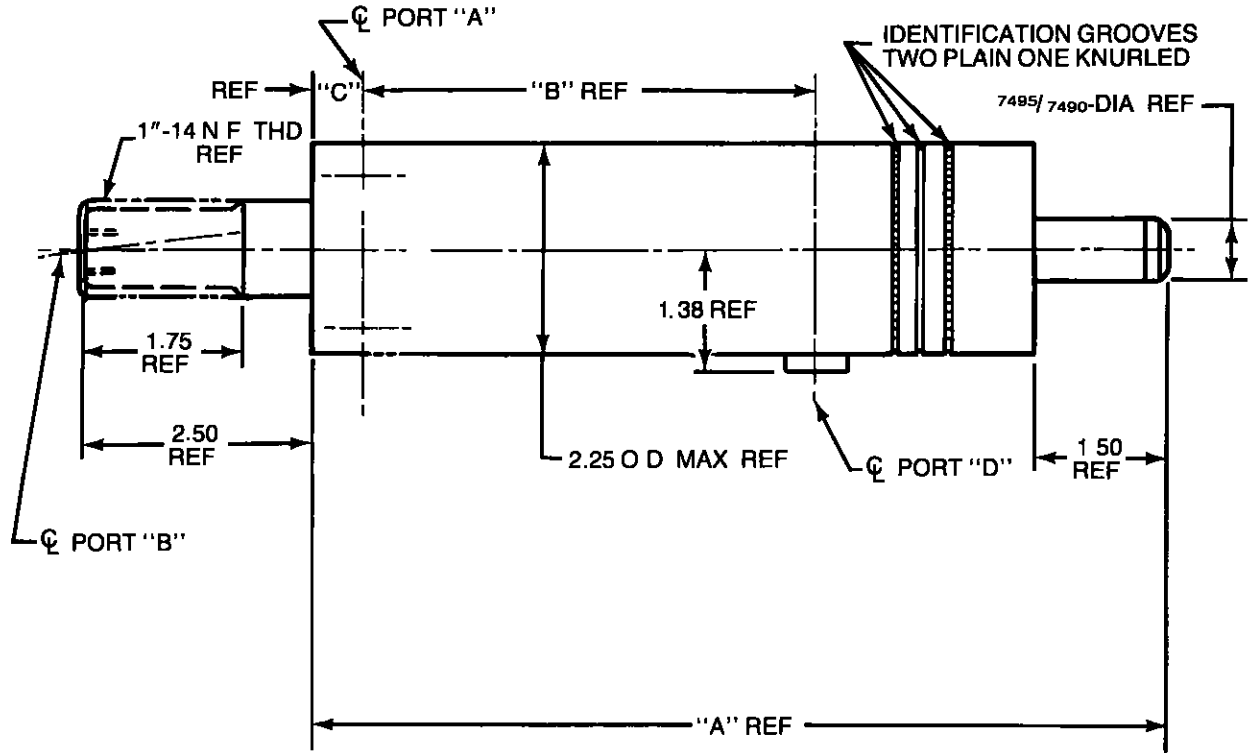
EXAMPLE OF CODE				TABULATED DIMENSIONS				PISTON AREA		FORCE AT LINE PRESSURE PSI		
mfg std	mntg style	nom sq in area	strk in 1/4 in incr	A	B	C	FOR-WARD	RE-TURN	300	400	500	
41	99	150	08									
BORE	MODEL NO		STROKE									
1 3/8	41-99-150-08		2	9 1/2	4.94	56	1.48	1.05	444	592	740	
	41-99-150-12		3	11	6.94		sq in	sq in	lbs	lbs	lbs	
1 3/8	41-99-150-16		4	13	8.94	56	1.48	1.05	444	592	740	
	41-99-150-20		5	15	10.94		sq in	sq in	lbs	lbs	lbs	



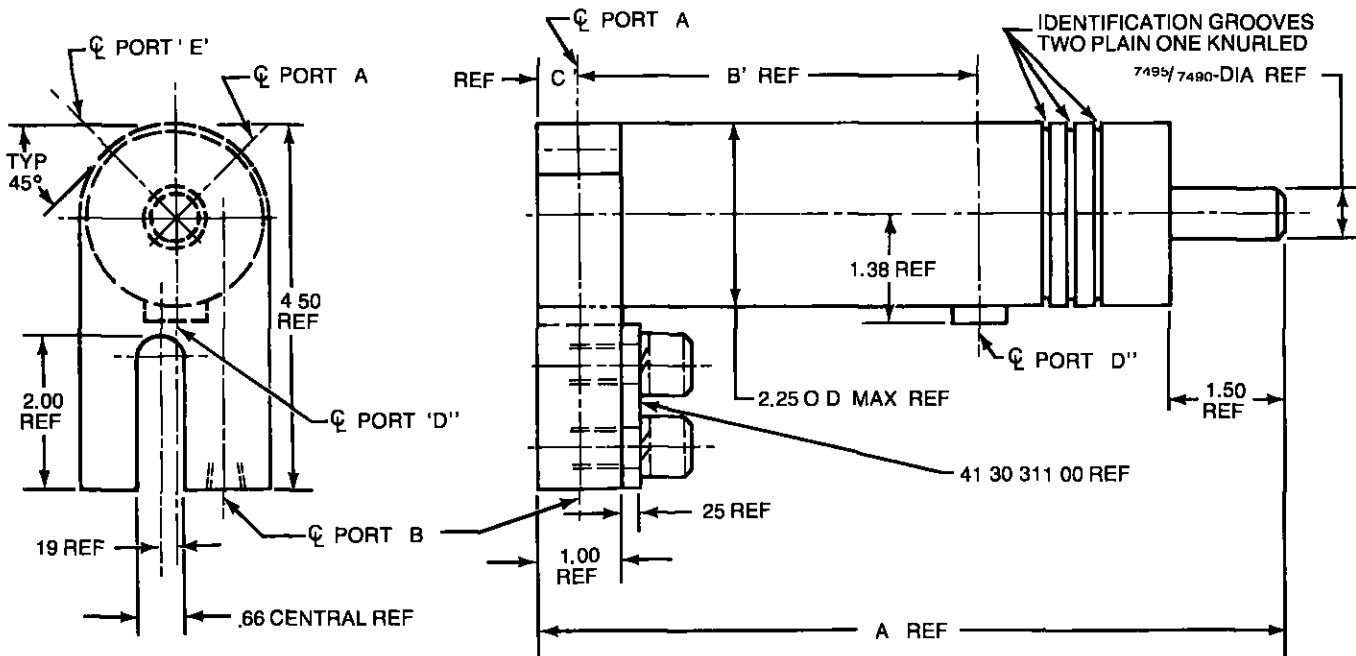
EXAMPLE OF CODE				TABULATED DIMENSIONS				PISTON AREA		FORCE AT LINE PRESSURE PSI		
mfg std	mtng style	nom sq in area	strk in 1/4 in incr	A	B	C	FORWARD	RE-TURN	300	400	500	
41	98	200	08									
BORE	MODEL NO	STROKE										
1 ⁹ / ₁₆	41-98-200-08	2		9 ¹ / ₂	4.88	56	1.91 sq in	.810 sq in	573 lbs	764 lbs	955 lbs	
	41-98-200-12	3		11	6.88							
1 ⁹ / ₁₆	41-98-200-16	4		13	8.88	56	1.91 sq in	.810 sq in	573 lbs	764 lbs	955 lbs	
	41-98-200-20	5		15	10.88							



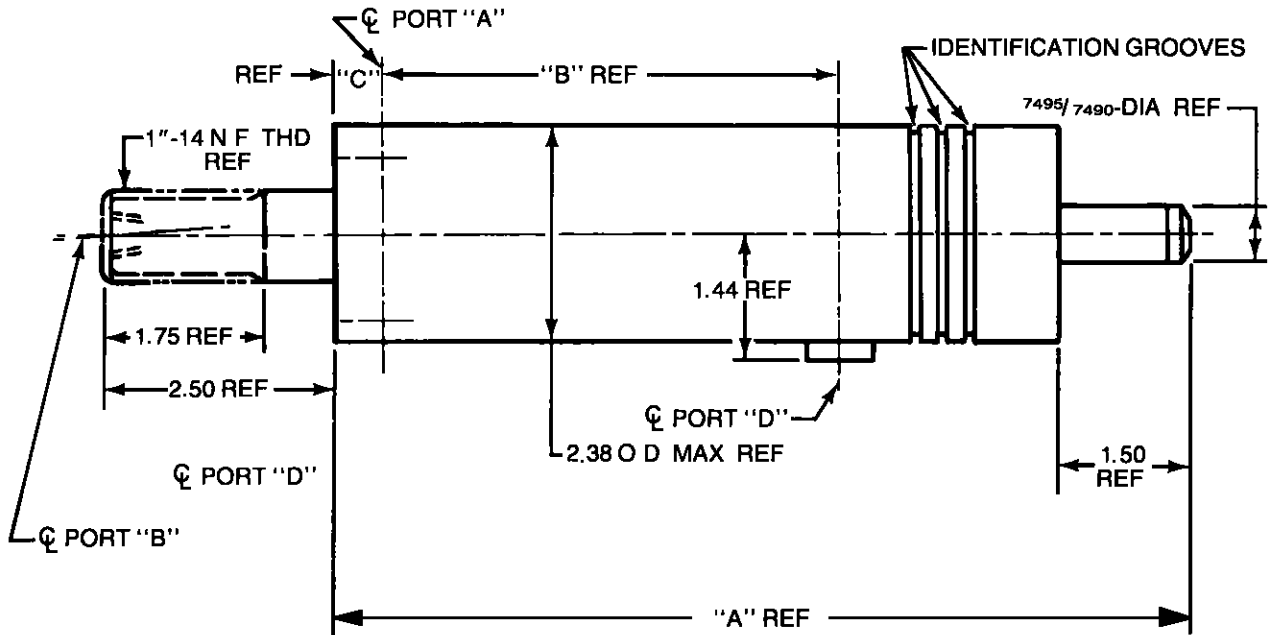
EXAMPLE OF CODE				TABULATED DIMENSIONS			PISTON AREA		FORCE AT LINE PRESSURE PSI		
mfg std	mtng style	nom sq in area	strk in 1/4 In Incr	A	B	C	FORWARD	RE-TURN	300	400	500
41	99	200	08								
BORE	MODEL NO		STROKE								
1 ⁹ / ₁₆	41-99-200-08		2	9 ¹ / ₂	4.94	56	1.91	.810	573	764	955
	41-99-200-12		3	11	6.94		sq in	sq in	lbs	lbs	lbs
1 ⁹ / ₁₆	41-99-200-16		4	13	8.94	56	1.91	.810	573	764	955
	41-99-200-20		5	15	10.94		sq in	sq in	lbs	lbs	lbs



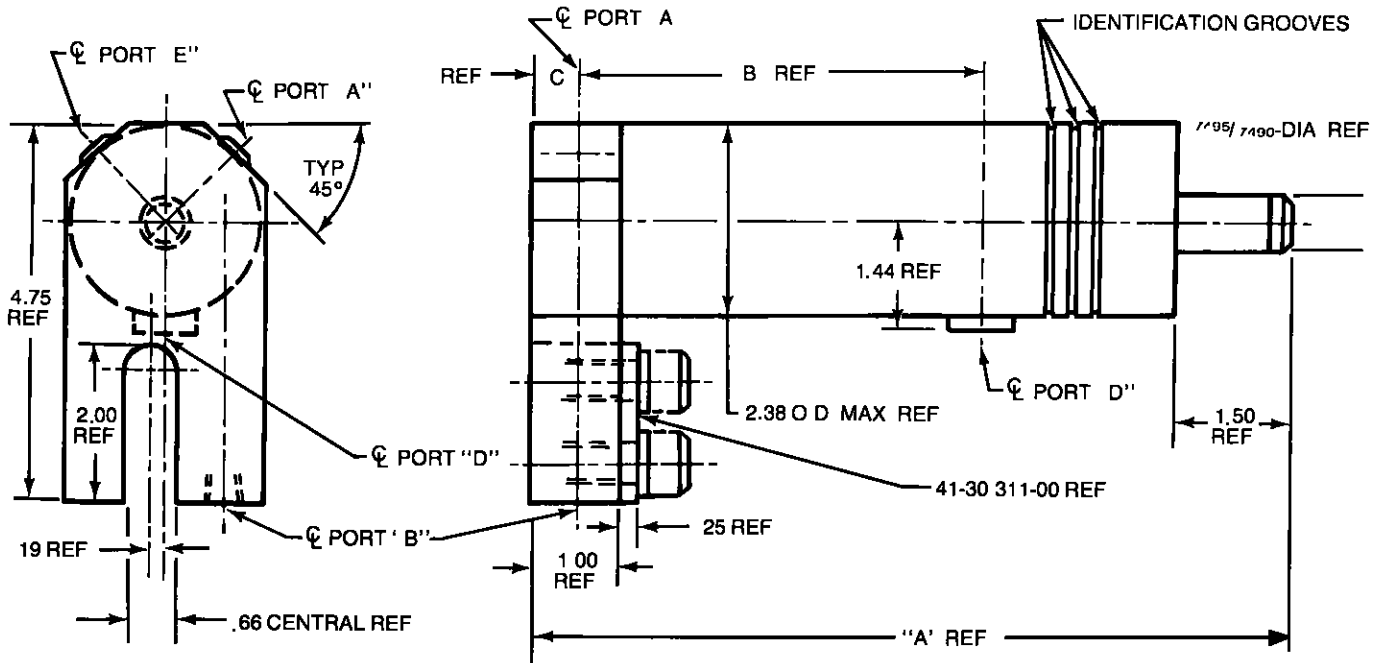
EXAMPLE OF CODE				TABULATED DIMENSIONS			PISTON AREA		FORCE AT LINE PRESSURE PSI		
mfg std	mtng style	nom sq in area	strk in 1/4 in incr	A	B	C	FORWARD	RE-TURN	300	400	500
41	98	250	08								
BORE	MODEL NO		STROKE								
1 3/4	41-98-250-08		2	9 1/2	4.88	56	2.40	1.29	720	960	1,200
	41-98-250-12		3	11	6.88		sq in	sq in	lbs	lbs	lbs
1 3/4	41-98-250-16		4	13	8.88	56	2.40	1.29	720	960	1,200
	41-98-250-20		5	15	10.88		sq in	sq in	lbs	lbs	lbs



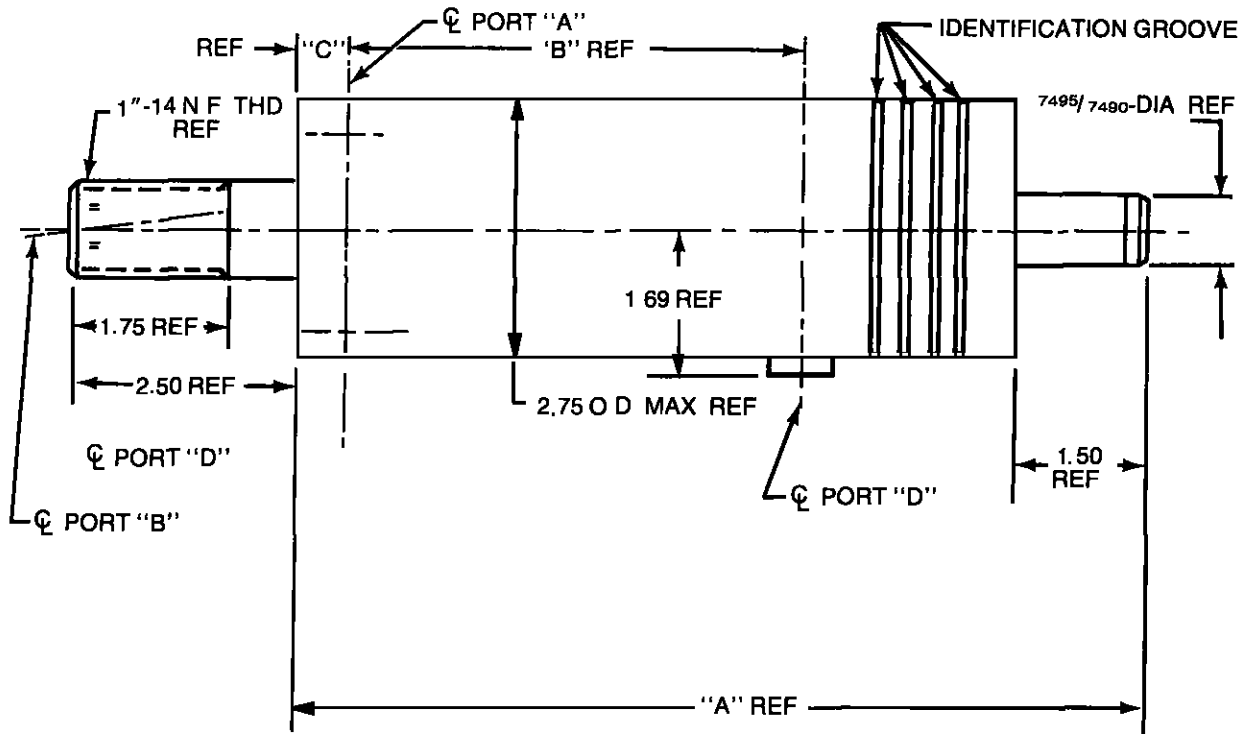
EXAMPLE OF CODE					TABULATED DIMENSIONS				PISTON AREA		FORCE AT LINE PRESSURE PSI			
mfg std	mntg style	nom sq in area	strk in 1/4 in incr		A	B	C			FORWARD	RE-TURN	300	400	500
41	—	99	—	250	—	08								
BORE		MODEL NO		STROKE										
1 3/4	41-99-250-08		2	9 1/2	4.94	56			2.40	1.29	720	960	1,200	
	41-99-250-12		3	11	6.94		sq in	sq in	lbs	lbs	lbs			
1 3/4	41-99-250-16		4	13	8.94	56			2.40	1.29	720	960	1,200	
	41-99-250-20		5	15	10.94		sq in	sq in	lbs	lbs	lbs			



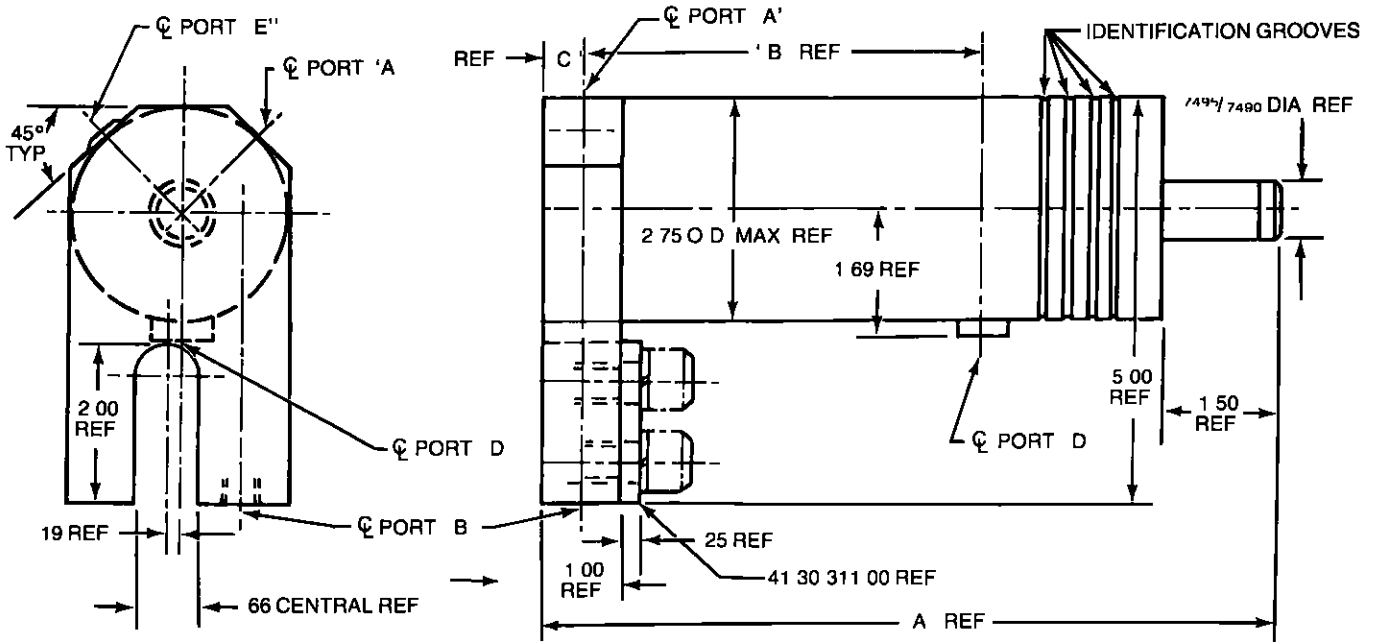
EXAMPLE OF CODE				TABULATED DIMENSIONS				PISTON AREA		FORCE AT LINE PRESSURE PSI		
mfg std	mtng style	nom sq in area	strk in 1/4 in incr	A	B	C	FORWARD	RE-TURN	300	400	500	
41	98	300	08									
BORE	MODEL NO		STROKE									
2	41-98-300-08		2	9 1/2	4.88	56	3.14	1.65	942	1,256	1,570	
	41-98-300-12		3	11	6.88		sq in	sq in	lbs	lbs	lbs	
2	41-98-300-16		4	13	8.88	56	3.14	1.65	942	1,256	1,570	
	41-98-300-20		5	15	10.88		sq in	sq in	lbs	lbs	lbs	



EXAMPLE OF CODE				TABULATED DIMENSIONS				PISTON AREA		FORCE AT LINE PRESSURE PSI		
mfg std	mntg style	nom sq in area	strk in 1/4 in Incr	A	B	C	FORWARD	RE-TURN	300	400	500	
41	99	300	08									
BORE		MODEL NO		STROKE								
2	41-99-300-08		2	9 1/2	4.94	56	3.14	1.65	942	1,256	1,570	
	41-99-300-12		3	11	6.94		sq in	sq in	lbs	lbs	lbs	
2	41-99-300-16		4	13	8.94	56	3.14	1.65	942	1,256	1,570	
	41-99-300-20		5	15	10.94		sq in	sq in	lbs	lbs	lbs	



EXAMPLE OF CODE				TABULATED DIMENSIONS			PISTON AREA		FORCE AT LINE PRESSURE PSI		
mfg std	mtng style	nom sq in area	strk in 1/4 in incr	A	B	C	FORWARD	RE-TURN	400	400	500
41	98	400	08								
BORE	MODEL NO		STROKE				sq in	sq in	lbs	lbs	lbs
2 1/4	41-98-400-08		2	9 1/2	4.88	56	3.97	1.90	1,191	1,588	1,985
	41-98-400-12		3	11	6.88		sq in	sq in	lbs	lbs	lbs
2 1/4	41-98-400-16		4	13	8.88	56	3.97	1.90	1,191	1,588	1,985
	41-98-400-20		5	15	10.88		sq in	sq in	lbs	lbs	lbs



EXAMPLE OF CODE					TABULATED DIMENSIONS				PISTON AREA		FORCE AT LINE PRESSURE PSI		
mfg std	mntg style	nom sq in area	strk in 1/4 in Incr		A	B	C			400	400	500	
41	99	400	08										
BORE	MODEL NO		STROKE					FOR-WARD	RE-TURN				
2 1/4	41-99-400-08		2		9 1/2	4.94		3.97	1.90	1,191	1,588	1,995	
	41-99-400-12		3		11	6.94		sq in	sq in	lbs	lbs	lbs	
2 1/4	41-99-400-16		4		13	8.94		3.97	1.90	1,191	1,588	1,995	
	41-99-400-20		5		15	10.94		sq in	sq in	lbs	lbs	lbs	