

# Grossel Tool Company

Cylinder Catalogue

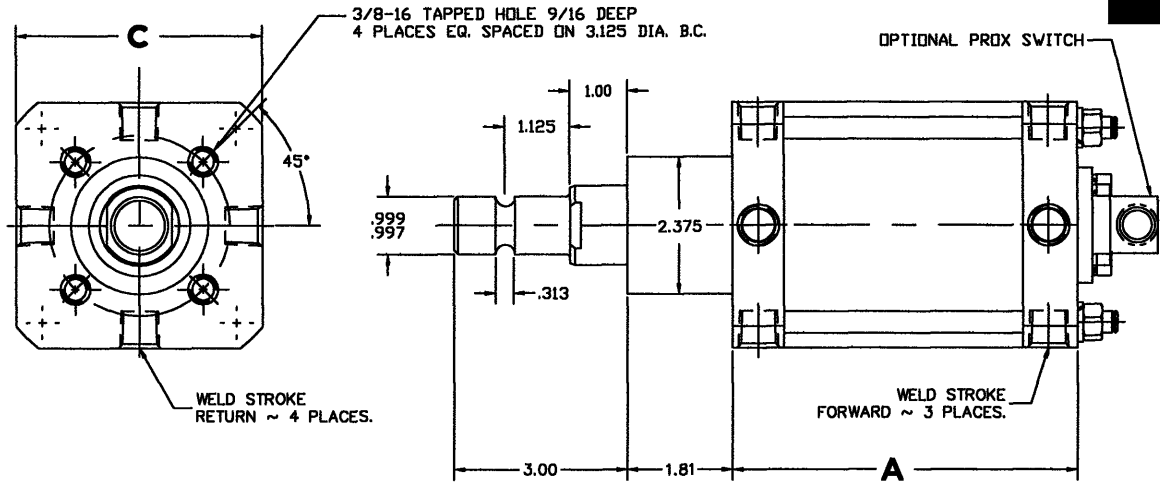
## Section G

Single Piston

Single Acting

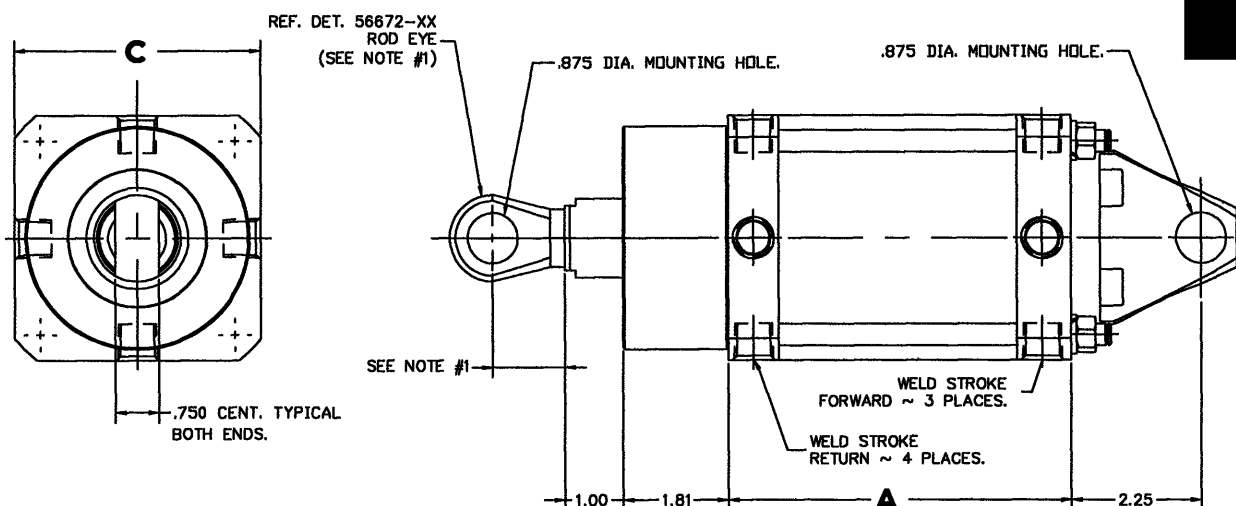
Pre-Lubed Cylinders





SINGLE PISTON ~ SINGLE ACTING ~ FACE MOUNT ~ PRE-LUBED ~ PROX READY WELD CYLINDER  
 FOR EACH ADDITIONAL 1/2" OF STROKE LONGER THAN SHOWN ADD 1/2" TO DIMENSION "A"

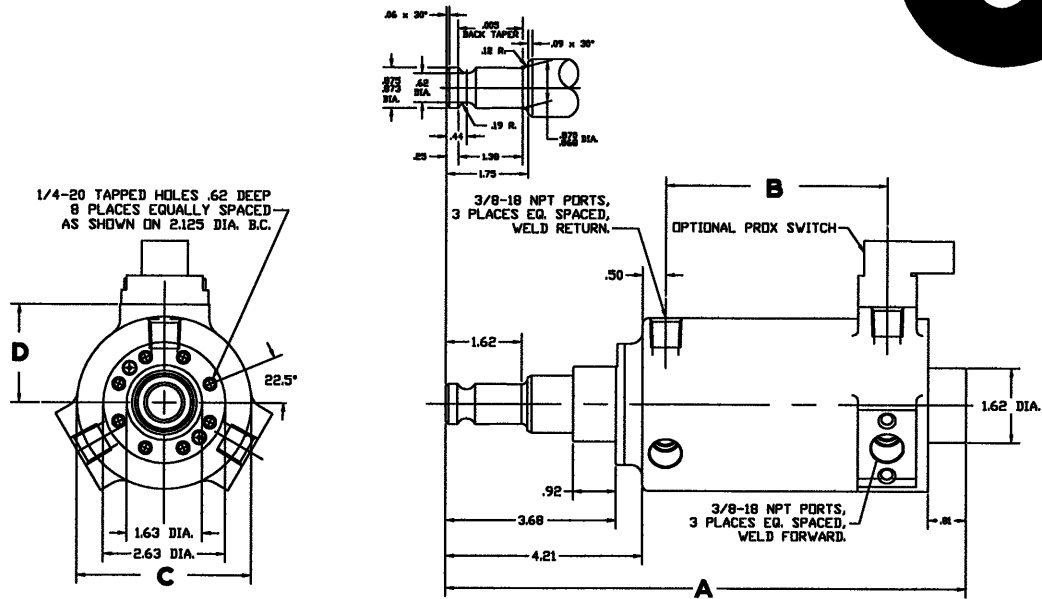
BORE	MODEL NO.	STROKE	TABULATED DIMENSIONS		PISTON AREA		FORCE AT LINE PRESSURE P.S.I.			
			A	C	FORWARD	RETURN	50	60	70	80
3.50 DIA. BORE	91215-04	2.00	5.94	3.75	9.62 SQ. IN.	8.13 SQ. IN.	481 LBS.	577 LBS.	673 LBS.	769 LBS.
	91215-05	2.50	6.44							
	91215-06	3.00	6.94							
	91215-07	3.50	7.44							
	91215-08	4.00	7.94							
4.00 DIA. BORE	91216-04	2.00	5.94	4.25	12.56 SQ. IN.	11.08 SQ. IN.	628 LBS.	753 LBS.	879 LBS.	1004 LBS.
	91216-05	2.50	6.44							
	91216-06	3.00	6.94							
	91216-07	3.50	7.44							
	91216-08	4.00	7.94							
4.50 DIA. BORE	91217-04	2.00	5.94	4.75	15.90 SQ. IN.	14.41 SQ. IN.	795 LBS.	954 LBS.	1113 LBS.	1272 LBS.
	91217-05	2.50	6.44							
	91217-06	3.00	6.94							
	91217-07	3.50	7.44							
	91217-08	4.00	7.94							
5.00 DIA. BORE	91023-04	2.00	5.94	5.25	19.63 SQ. IN.	18.15 SQ. IN.	981 LBS.	1177 LBS.	1374 LBS.	1570 LBS.
	91023-05	2.50	6.44							
	91023-06	3.00	6.94							
	91023-07	3.50	7.44							
	91023-08	4.00	7.94							
5.50 DIA. BORE	91024-04	2.00	5.94	5.75	23.75 SQ. IN.	22.27 SQ. IN.	1187 LBS.	1425 LBS.	1662 LBS.	1900 LBS.
	91024-05	2.50	6.44							
	91024-06	3.00	6.94							
	91024-07	3.50	7.44							
	91024-08	4.00	7.94							



NOTE #1:  
 DET. #56672-XX IS TABULATED IN 1/16 (.0625)  
 INCREMENTS WITH A MINIMUM LENGTH OF 1.25 IN.  
 AND MUST BE ORDERED SEPERATELY.

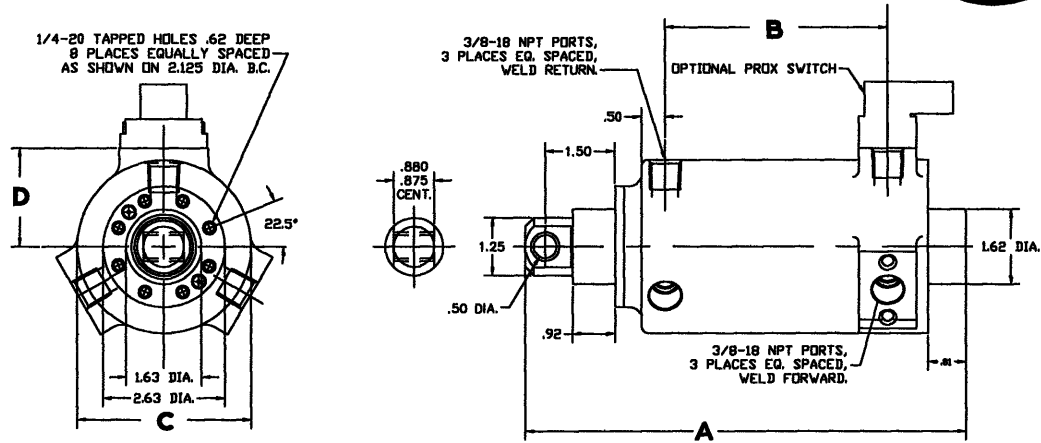
SINGLE PISTON ~ SINGLE ACTING ~ CLEVIS MOUNT ~ PRE-LUBED ~ PROX READY WELD CYLINDER  
 FOR EACH ADDITIONAL 1/2' OF STROKE LONGER THAN SHOWN ADD 1/2" TO DIMENSION 'A'

BORE	MODEL NO.	STROKE	TABULATED DIMENSIONS		PISTON AREA		FORCE AT LINE PRESSURE P.S.I.			
			A	C	FORWARD	RETURN	50	60	70	80
4.00 DIA. BORE	91221-04	2.00	5.94	4.25	12.56 SQ. IN.	11.08 SQ. IN.	628 LBS.	753 LBS.	879 LBS.	1004 LBS.
	91221-05	2.50	6.44							
	91221-06	3.00	6.94							
	91221-07	3.50	7.44							
	91221-08	4.00	7.94							
4.50 DIA. BORE	91022-04	2.00	5.94	4.75	15.90 SQ. IN.	14.41 SQ. IN.	795 LBS.	954 LBS.	1113 LBS.	1272 LBS.
	91022-05	2.50	6.44							
	91022-06	3.00	6.94							
	91022-07	3.50	7.44							
	91022-08	4.00	7.94							
5.00 DIA. BORE	91023-04	2.00	5.94	5.25	19.63 SQ. IN.	18.15 SQ. IN.	981 LBS.	1177 LBS.	1374 LBS.	1570 LBS.
	91023-05	2.50	6.44							
	91023-06	3.00	6.94							
	91023-07	3.50	7.44							
	91023-08	4.00	7.94							
5.50 DIA. BORE	91024-04	2.00	5.94	5.75	23.75 SQ. IN.	22.27 SQ. IN.	1187 LBS.	1425 LBS.	1662 LBS.	1900 LBS.
	91024-05	2.50	6.44							
	91024-06	3.00	6.94							
	91024-07	3.50	7.44							
	91024-08	4.00	7.94							



SINGLE PISTON ~ SINGLE ACTING ~ PRE-LUBED ~ NON ROTATE ~ PROX READY WELD CYLINDER

BORE	MODEL NO	STROKE	TABULATED DIMENSIONS				PISTON AREA		FORCE AT LINE PRESSURE P.S.I.			
			A	B	C	D	FORWARD	RETURN	50	60	70	80
3.00 DIA. BORE	91025-3020-C	2.00	11.19	3.25	3.75	2.194	7.06 SQ. IN.	5.83 SQ. IN.	353 LBS.	423 LBS.	494 LBS.	564 LBS.
	91025-3030-C	3.00	12.19	4.25								
	91025-3040-C	4.00	13.19	5.25								
3.50 DIA. BORE	91025-3520-C	2.00	11.19	3.25	4.25	2.444	9.62 SQ. IN.	8.39 SQ. IN.	481 LBS.	577 LBS.	673 LBS.	769 LBS.
	91025-3530-C	3.00	12.19	4.25								
	91025-3540-C	4.00	13.19	5.25								
4.00 DIA. BORE	91025-4020-C	2.00	11.19	3.25	4.75	2.694	12.56 SQ. IN.	11.33 SQ. IN.	628 LBS.	753 LBS.	879 LBS.	1004 LBS.
	91025-4030-C	3.00	12.19	4.25								
	91025-4040-C	4.00	13.19	5.25								
4.50 DIA. BORE	91025-4520-C	2.00	11.19	3.25	5.25	2.944	15.90 SQ. IN.	14.67 SQ. IN.	795 LBS.	954 LBS.	1113 LBS.	1272 LBS.
	91025-4530-C	3.00	12.19	4.25								
	91025-4540-C	4.00	13.19	5.25								
5.00 DIA. BORE	91025-5020-C	2.00	11.19	3.25	5.75	3.194	19.63 SQ. IN.	18.15 SQ. IN.	981 LBS.	1177 LBS.	1374 LBS.	1570 LBS.
	91025-5030-C	3.00	12.19	4.25								
	91025-5040-C	4.00	13.19	5.25								
5.50 DIA. BORE	91025-5520-C	2.00	11.19	3.25	6.25	3.444	23.75 SQ. IN.	22.27 SQ. IN.	1187 LBS.	1425 LBS.	1662 LBS.	1900 LBS.
	91025-5530-C	3.00	12.19	4.25								
	91025-5540-C	4.00	13.19	5.25								
6.00 DIA. BORE	91025-6020-C	2.00	11.19	3.25	6.75	3.694	29.27 SQ. IN.	27.04 SQ. IN.	1463 LBS.	1756 LBS.	2048 LBS.	2341 LBS.
	91025-6030-C	3.00	12.19	4.25								
	91025-6040-C	4.00	13.19	5.25								



SINGLE PISTON ~ SINGLE ACTING ~ PRE-LUBED ~ NON ROTATE ~ PROX READY WELD CYLINDER

BORE	MODEL NO	STROKE	TABULATED DIMENSIONS				PISTON AREA		FORCE AT LINE PRESSURE P.S.I.			
			A	B	C	D	FORWARD	RETURN	50	60	70	80
3.00 DIA. BORE	91025-3020-P	2.00	9.44	3.25	3.75	2.194	7.06 SQ. IN.	5.83 SQ. IN.	353 LBS.	423 LBS.	494 LBS.	564 LBS.
	91025-3030-P	3.00	10.44	4.25								
	91025-3040-P	4.00	11.44	5.25								
3.50 DIA. BORE	91025-3520-P	2.00	9.44	3.25	4.25	2.444	9.62 SQ. IN.	8.39 SQ. IN.	481 LBS.	577 LBS.	673 LBS.	769 LBS.
	91025-3530-P	3.00	10.44	4.25								
	91025-3540-P	4.00	11.44	5.25								
4.00 DIA. BORE	91025-4020-P	2.00	9.44	3.25	4.75	2.694	12.56 SQ. IN.	11.33 SQ. IN.	628 LBS.	753 LBS.	879 LBS.	1004 LBS.
	91025-4030-P	3.00	10.44	4.25								
	91025-4040-P	4.00	11.44	5.25								
4.50 DIA. BORE	91025-4520-P	2.00	9.44	3.25	5.25	2.944	15.90 SQ. IN.	14.67 SQ. IN.	795 LBS.	954 LBS.	1113 LBS.	1272 LBS.
	91025-4530-P	3.00	10.44	4.25								
	91025-4540-P	4.00	11.44	5.25								
5.00 DIA. BORE	91025-5020-P	2.00	9.44	3.25	5.75	3.194	19.63 SQ. IN.	18.15 SQ. IN.	981 LBS.	1177 LBS.	1374 LBS.	1570 LBS.
	91025-5030-P	3.00	10.44	4.25								
	91025-5040-P	4.00	11.44	5.25								
5.50 DIA. BORE	91025-5520-P	2.00	9.44	3.25	6.25	3.444	23.75 SQ. IN.	22.27 SQ. IN.	1187 LBS.	1425 LBS.	1662 LBS.	1900 LBS.
	91025-5530-P	3.00	10.44	4.25								
	91025-5540-P	4.00	11.44	5.25								
6.00 DIA. BORE	91025-6020-P	2.00	9.44	3.25	6.75	3.694	29.27 SQ. IN.	27.04 SQ. IN.	1463 LBS.	1756 LBS.	2048 LBS.	2341 LBS.
	91025-6030-P	3.00	10.44	4.25								
	91025-6040-P	4.00	11.44	5.25								