

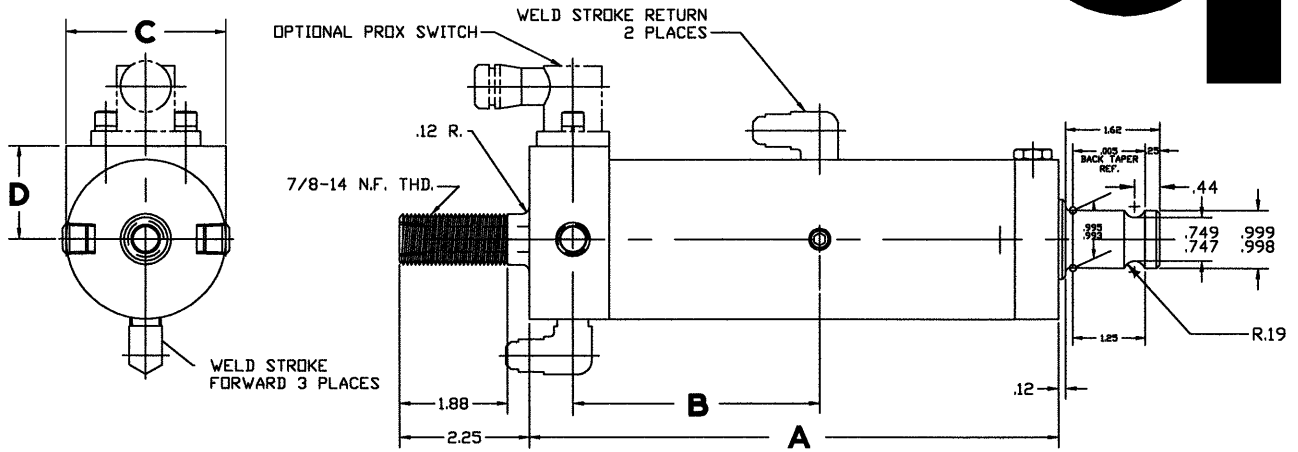
Grossel Tool Company

Cylinder Catalogue

Section E

Dual Piston
Single Action
Pre-Lubed
Cylinders

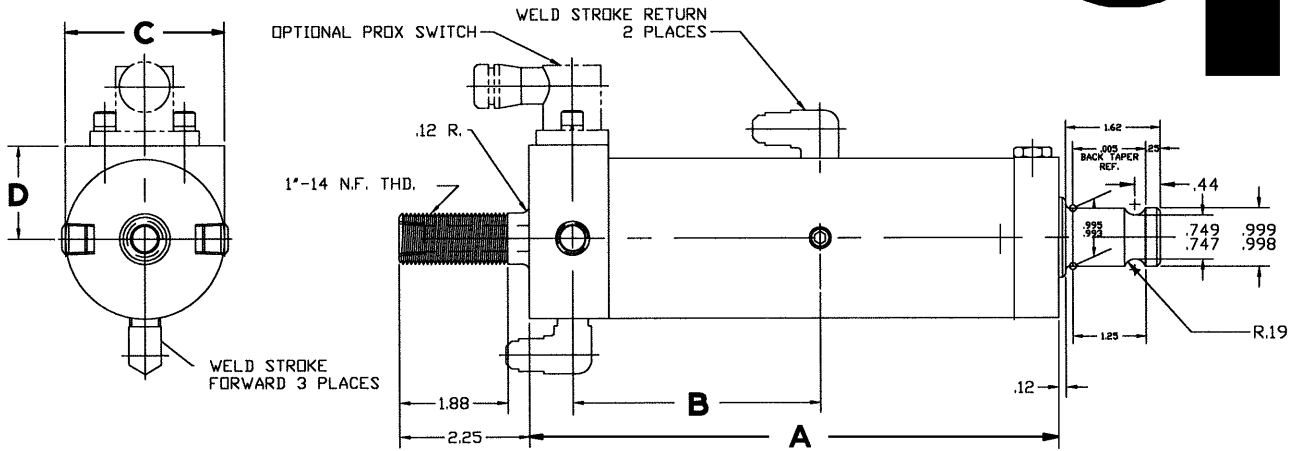




DUAL PISTON ~ SINGLE ACTING ~ PRE-LUBED ~ PROX READY WELD CYLINDER

FOR EACH ADDITIONAL 1/2" OF STROKE LONGER THAN SHOWN ADD 1.00" TO DIMENSION 'A' AND 1/2" INCH TO DIMENSION 'B'

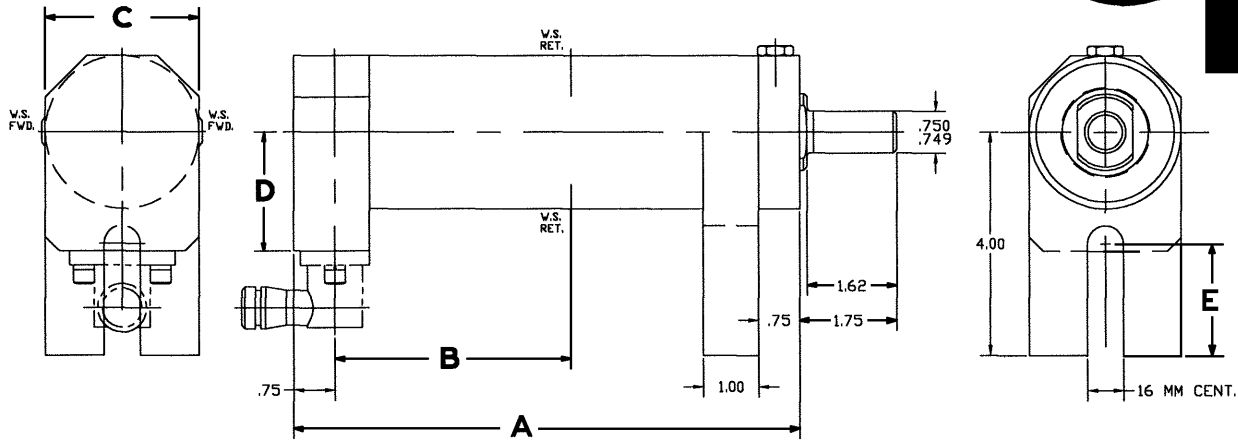
BORE	MODEL NO.	STROKE	TABULATED DIMENSIONS				PISTON AREA		FORCE AT LINE PRESSURE P.S.I.			
			A	B	C	D	FORWARD	RETURN	50	60	70	80
5.98 SQ. IN. AREA	1-GTPD-5.98-0.5-14F+-R	0.50	7.12	3.25	2.25	1.283	5.98 SQ. IN.	2.83 SQ. IN.	299 LBS.	358 LBS.	418 LBS.	478 LBS.
	1-GTPD-5.98-1.0-14F+-R	1.00	8.12	3.75								
	1-GTPD-5.98-1.5-14F+-R	1.50	9.12	4.25								
	1-GTPD-5.98-2.0-14F+-R	2.00	10.12	4.75								
	1-GTPD-5.98-2.5-14F+-R	2.50	11.12	5.25								
	1-GTPD-5.98-3.0-14F+-R	3.00	12.12	5.75								
7.65 SQ. IN. AREA	1-GTPD-7.65-0.5-14F+-R	0.50	7.12	3.25	2.50	1.283	7.65 SQ. IN.	3.67 SQ. IN.	382 LBS.	459 LBS.	535 LBS.	612 LBS.
	1-GTPD-7.65-1.0-14F+-R	1.00	8.12	3.75								
	1-GTPD-7.65-1.5-14F+-R	1.50	9.12	4.25								
	1-GTPD-7.65-2.0-14F+-R	2.00	10.12	4.75								
	1-GTPD-7.65-2.5-14F+-R	2.50	11.12	5.25								
	1-GTPD-7.65-3.0-14F+-R	3.00	12.12	5.75								
9.51 SQ. IN. AREA	1-GTPD-9.51-0.5-14F+-R	0.50	7.12	3.25	2.75	1.608	9.51 SQ. IN.	4.60 SQ. IN.	475 LBS.	570 LBS.	665 LBS.	760 LBS.
	1-GTPD-9.51-1.0-14F+-R	1.00	8.12	3.75								
	1-GTPD-9.51-1.5-14F+-R	1.50	9.12	4.25								
	1-GTPD-9.51-2.0-14F+-R	2.00	10.12	4.75								
	1-GTPD-9.51-2.5-14F+-R	2.50	11.12	5.25								
	1-GTPD-9.51-3.0-14F+-R	3.00	12.12	5.75								
11.57 SQ. IN. AREA	1-GTPD-11.57-0.5-14F+-R	0.50	7.12	3.25	3.00	1.608	11.57 SQ. IN.	5.93 SQ. IN.	578 LBS.	694 LBS.	809 LBS.	925 LBS.
	1-GTPD-11.57-1.0-14F+-R	1.00	8.12	3.75								
	1-GTPD-11.57-1.5-14F+-R	1.50	9.12	4.25								
	1-GTPD-11.57-2.0-14F+-R	2.00	10.12	4.75								
	1-GTPD-11.57-2.5-14F+-R	2.50	11.12	5.25								
	1-GTPD-11.57-3.0-14F+-R	3.00	12.12	5.75								
13.60 SQ. IN. AREA	1-GTPD-13.60-0.5-14F+-R	0.50	7.12	3.25	3.25	2.166	13.60 SQ. IN.	6.76 SQ. IN.	680 LBS.	816 LBS.	952 LBS.	1088 LBS.
	1-GTPD-13.60-1.0-14F+-R	1.00	8.12	3.75								
	1-GTPD-13.60-1.5-14F+-R	1.50	9.12	4.25								
	1-GTPD-13.60-2.0-14F+-R	2.00	10.12	4.75								
	1-GTPD-13.60-2.5-14F+-R	2.50	11.12	5.25								
	1-GTPD-13.60-3.0-14F+-R	3.00	12.12	5.75								
	1-GTPD-13.60-3.5-14F+-R	3.50	13.12	6.25								



DUAL PISTON ~ SINGLE ACTING ~ PRE-LUBED ~ PROX READY WELD CYLINDER

FOR EACH ADDITIONAL 1/2" OF STROKE LONGER THAN SHOWN ADD 1.00" TO DIMENSION "A" AND 1/2" INCH TO DIMENSION "B"

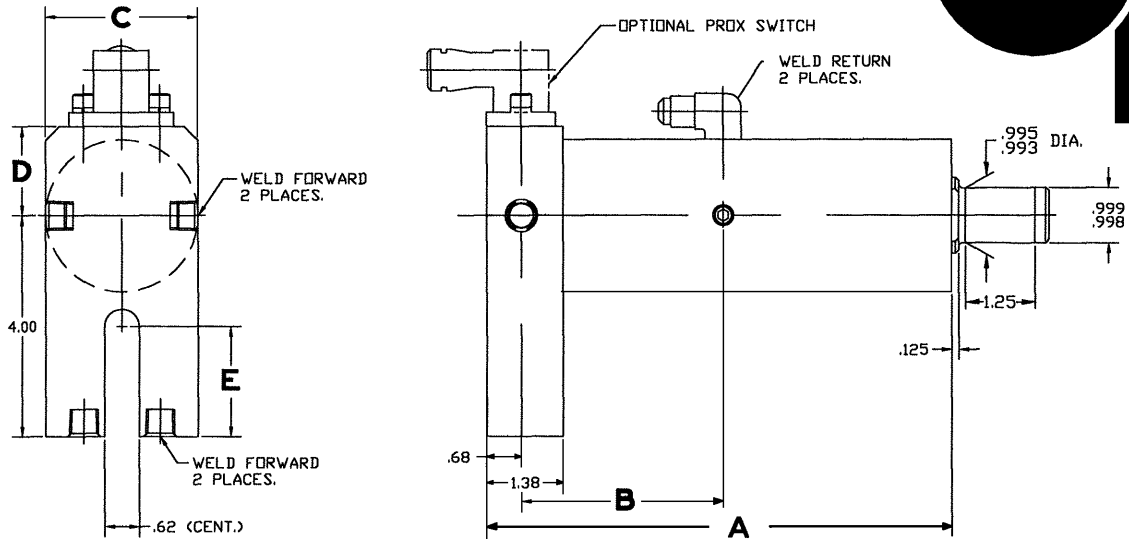
BORE	MODEL NO.	STROKE	TABULATED DIMENSIONS				PISTON AREA		FORCE AT LINE PRESSURE P.S.I.			
			A	B	C	D	FORWARD	RETURN	50	60	70	80
15.75 SQ. IN. AREA	1-GTPD-15.75-0.5-14F+-R	0.50	7.75	3.56	3.50	2.166	15.75 SQ. IN.	7.51 SQ. IN.	787 LBS.	945 LBS.	1102 LBS.	1260 LBS.
	1-GTPD-15.75-1.0-14F+-R	1.00	8.75	4.06								
	1-GTPD-15.75-1.5-14F+-R	1.50	9.75	4.56								
	1-GTPD-15.75-2.0-14F+-R	2.00	10.75	5.06								
	1-GTPD-15.75-2.5-14F+-R	2.50	11.75	5.56								
	1-GTPD-15.75-3.0-14F+-R	3.00	12.75	6.06								
18.40 SQ. IN. AREA	1-GTPD-18.40-0.5-14F+-R	0.50	7.75	3.56	3.75	2.166	18.40 SQ. IN.	8.83 SQ. IN.	920 LBS.	1104 LBS.	1288 LBS.	1472 LBS.
	1-GTPD-18.40-1.0-14F+-R	1.00	8.75	4.06								
	1-GTPD-18.40-1.5-14F+-R	1.50	9.75	4.56								
	1-GTPD-18.40-2.0-14F+-R	2.00	10.75	5.06								
	1-GTPD-18.40-2.5-14F+-R	2.50	11.75	5.56								
	1-GTPD-18.40-3.0-14F+-R	3.00	12.75	6.06								
21.25 SQ. IN. AREA	1-GTPD-21.25-0.5-14F+-R	0.50	7.75	3.56	4.00	2.166	21.25 SQ. IN.	10.25 SQ. IN.	1062 LBS.	1275 LBS.	1487 LBS.	1700 LBS.
	1-GTPD-21.25-1.0-14F+-R	1.00	8.75	4.06								
	1-GTPD-21.25-1.5-14F+-R	1.50	9.75	4.56								
	1-GTPD-21.25-2.0-14F+-R	2.00	10.75	5.06								
	1-GTPD-21.25-2.5-14F+-R	2.50	11.75	5.56								
	1-GTPD-21.25-3.0-14F+-R	3.00	12.75	6.06								
24.30 SQ. IN. AREA	1-GTPD-24.30-0.5-14F+-R	0.50	7.75	3.56	4.25	2.166	24.30 SQ. IN.	11.78 SQ. IN.	1215 LBS.	1458 LBS.	1701 LBS.	1944 LBS.
	1-GTPD-24.30-1.0-14F+-R	1.00	8.75	4.06								
	1-GTPD-24.30-1.5-14F+-R	1.50	9.75	4.56								
	1-GTPD-24.30-2.0-14F+-R	2.00	10.75	5.06								
	1-GTPD-24.30-2.5-14F+-R	2.50	11.75	5.56								
	1-GTPD-24.30-3.0-14F+-R	3.00	12.75	6.06								
	1-GTPD-24.30-3.5-14F+-R	3.50	13.75	6.56								



DUAL PISTON ~ SINGLE ACTING ~ PRE-LUBED ~ PROX READY WELD CYLINDER

FOR EACH ADDITIONAL 1/2" OF STROKE LONGER THAN SHOWN ADD 1.00" TO DIMENSION 'A' AND 1/2" INCH TO DIMENSION 'B'

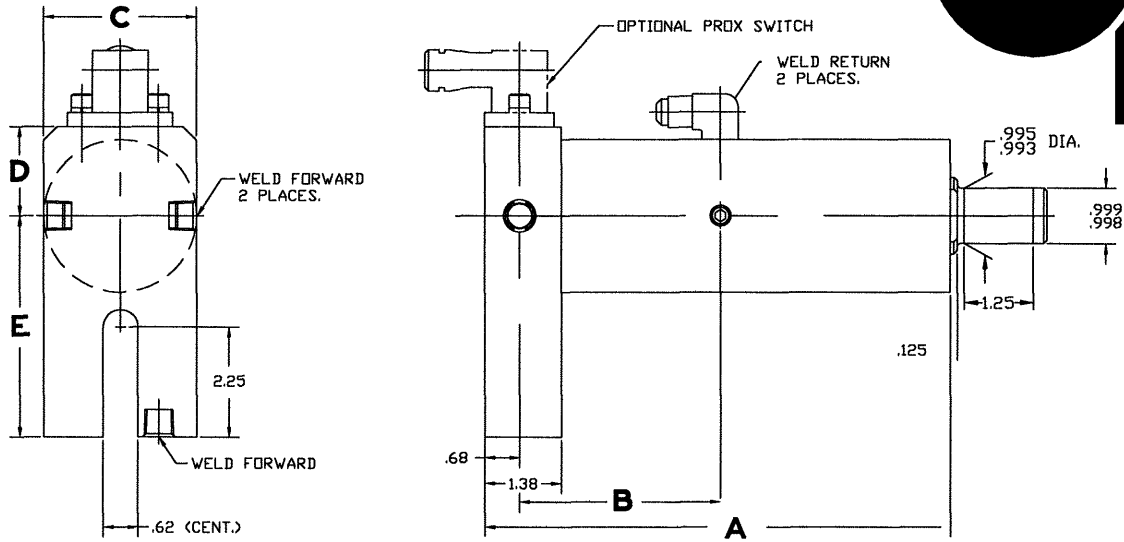
BORE	MODEL NO.	STROKE	TABULATED DIMENSIONS					PISTON AREA		FORCE AT LINE PRESSURE P.S.I.			
			A	B	C	D	E	FORWARD	RETURN	50	60	70	80
5.98 SQ. IN. AREA	2-3/4-GTPD-5.98-0.5-14	0.50	7.12	3.25	2.25	1.283	2.25	5.98 SQ. IN.	2.83 SQ. IN.	299 LBS.	358 LBS.	418 LBS.	478 LBS.
	2-3/4-GTPD-5.98-1.0-14	1.00	8.12	3.75									
	2-3/4-GTPD-5.98-1.5-14	1.50	9.12	4.25									
	2-3/4-GTPD-5.98-2.0-14	2.00	10.12	4.75									
	2-3/4-GTPD-5.98-2.5-14	2.50	11.12	5.25									
	2-3/4-GTPD-5.98-3.0-14	3.00	12.12	5.75									
7.65 SQ. IN. AREA	2-3/4-GTPD-5.98-3.5-14	3.50	13.12	6.25	2.50	1.283	2.25	7.65 SQ. IN.	3.67 SQ. IN.	382 LBS.	459 LBS.	535 LBS.	612 LBS.
	2-3/4-GTPD-7.65-0.5-14	0.50	7.12	3.25									
	2-3/4-GTPD-7.65-1.0-14	1.00	8.12	3.75									
	2-3/4-GTPD-7.65-1.5-14	1.50	9.12	4.25									
	2-3/4-GTPD-7.65-2.0-14	2.00	10.12	4.75									
	2-3/4-GTPD-7.65-2.5-14	2.50	11.12	5.25									
9.51 SQ. IN. AREA	2-3/4-GTPD-7.65-3.0-14	3.00	12.12	5.75	2.75	1.608	2.00	9.51 SQ. IN.	4.60 SQ. IN.	475 LBS.	570 LBS.	665 LBS.	760 LBS.
	2-3/4-GTPD-7.65-3.5-14	3.50	13.12	6.25									
	2-3/4-GTPD-9.51-0.5-14	0.50	7.12	3.25									
	2-3/4-GTPD-9.51-1.0-14	1.00	8.12	3.75									
	2-3/4-GTPD-9.51-1.5-14	1.50	9.12	4.25									
	2-3/4-GTPD-9.51-2.0-14	2.00	10.12	4.75									
11.57 SQ. IN. AREA	2-3/4-GTPD-9.51-2.5-14	2.50	11.12	5.25	3.00	1.608	1.88	11.57 SQ. IN.	5.93 SQ. IN.	578 LBS.	694 LBS.	809 LBS.	925 LBS.
	2-3/4-GTPD-9.51-3.0-14	3.00	12.12	5.75									
	2-3/4-GTPD-9.51-3.5-14	3.50	13.12	6.25									
	2-3/4-GTPD-11.57-0.5-14	0.50	7.12	3.25									
	2-3/4-GTPD-11.57-1.0-14	1.00	8.12	3.75									
	2-3/4-GTPD-11.57-1.5-14	1.50	9.12	4.25									
13.60 SQ. IN. AREA	2-3/4-GTPD-11.57-2.0-14	2.00	10.12	4.75	3.25	2.166	1.75	13.60 SQ. IN.	6.76 SQ. IN.	680 LBS.	816 LBS.	952 LBS.	1088 LBS.
	2-3/4-GTPD-11.57-2.5-14	2.50	11.12	5.25									
	2-3/4-GTPD-11.57-3.0-14	3.00	12.12	5.75									
	2-3/4-GTPD-11.57-3.5-14	3.50	13.12	6.25									
	2-3/4-GTPD-13.60-0.5-14	0.50	7.12	3.25									
	2-3/4-GTPD-13.60-1.0-14	1.00	8.12	3.75									



DUAL PISTON ~ SINGLE ACTING ~ PRE-LUBED ~ PROX READY WELD CYLINDER

FOR EACH ADDITIONAL 1/2" OF STROKE LONGER THAN SHOWN ADD 1.00" TO DIMENSION "A" AND 1/2" INCH TO DIMENSION "B"

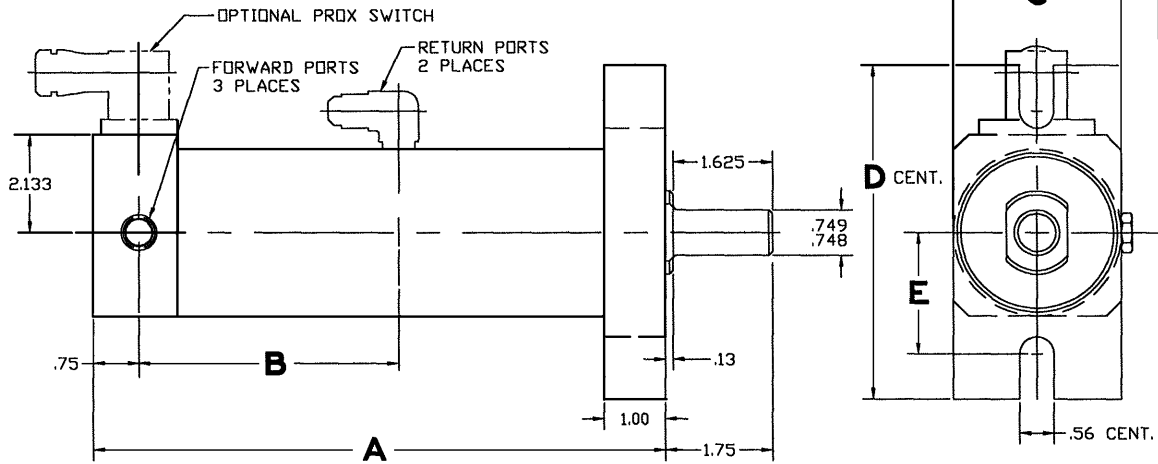
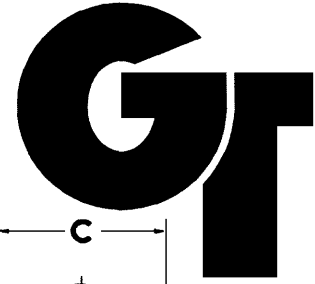
			TABULATED DIMENSIONS					PISTON AREA		FORCE AT LINE PRESSURE P.S.I.			
BORE	MODEL NO.	STROKE	A	B	C	D	E	FORWARD	RETURN	50	60	70	80
5.98 SQ. IN. AREA	3-GTPD-5.98-0.5-14F	0.50	6.38	2.56	2.25	1.283	2.25	5.98 SQ. IN.	2.83 SQ. IN.	299 LBS.	358 LBS.	418 LBS.	478 LBS.
	3-GTPD-5.98-1.0-14F	1.00	7.38	3.06									
	3-GTPD-5.98-1.5-14F	1.50	8.38	3.56									
	3-GTPD-5.98-2.0-14F	2.00	9.38	4.06									
	3-GTPD-5.98-2.5-14F	2.50	10.38	4.56									
	3-GTPD-5.98-3.0-14F	3.00	11.38	5.06									
	3-GTPD-5.98-3.5-14F	3.50	12.38	5.56									
7.65 SQ. IN. AREA	3-GTPD-7.65-0.5-14F	0.50	6.38	2.56	2.50	1.283	2.25	7.65 SQ. IN.	3.67 SQ. IN.	382 LBS.	459 LBS.	535 LBS.	612 LBS.
	3-GTPD-7.65-1.0-14F	1.00	7.38	3.06									
	3-GTPD-7.65-1.5-14F	1.50	8.38	3.56									
	3-GTPD-7.65-2.0-14F	2.00	9.38	4.06									
	3-GTPD-7.65-2.5-14F	2.50	10.38	4.56									
	3-GTPD-7.65-3.0-14F	3.00	11.38	5.06									
	3-GTPD-7.65-3.5-14F	3.50	12.38	5.56									
9.51 SQ. IN. AREA	3-GTPD-9.51-0.5-14F	0.50	6.38	2.56	2.75	1.608	2.00	9.51 SQ. IN.	4.60 SQ. IN.	475 LBS.	570 LBS.	665 LBS.	760 LBS.
	3-GTPD-9.51-1.0-14F	1.00	7.38	3.06									
	3-GTPD-9.51-1.5-14F	1.50	8.38	3.56									
	3-GTPD-9.51-2.0-14F	2.00	9.38	4.06									
	3-GTPD-9.51-2.5-14F	2.50	10.38	4.56									
	3-GTPD-9.51-3.0-14F	3.00	11.38	5.06									
	3-GTPD-9.51-3.5-14F	3.50	12.38	5.56									
11.57 SQ. IN. AREA	3-GTPD-11.57-0.5-14F	0.50	6.38	2.56	3.00	1.608	1.88	11.57 SQ. IN.	5.93 SQ. IN.	578 LBS.	694 LBS.	809 LBS.	925 LBS.
	3-GTPD-11.57-1.0-14F	1.00	7.38	3.06									
	3-GTPD-11.57-1.5-14F	1.50	8.38	3.56									
	3-GTPD-11.57-2.0-14F	2.00	9.38	4.06									
	3-GTPD-11.57-2.5-14F	2.50	10.38	4.56									
	3-GTPD-11.57-3.0-14F	3.00	11.38	5.06									
	3-GTPD-11.57-3.5-14F	3.50	12.38	5.56									
13.60 SQ. IN. AREA	3-GTPD-13.60-0.5-14F	0.50	6.38	2.56	3.25	2.166	1.75	13.60 SQ. IN.	6.76 SQ. IN.	680 LBS.	816 LBS.	952 LBS.	1088 LBS.
	3-GTPD-13.60-1.0-14F	1.00	7.38	3.06									
	3-GTPD-13.60-1.5-14F	1.50	8.38	3.56									
	3-GTPD-13.60-2.0-14F	2.00	9.38	4.06									
	3-GTPD-13.60-2.5-14F	2.50	10.38	4.56									
	3-GTPD-13.60-3.0-14F	3.00	11.38	5.06									
	3-GTPD-13.60-3.5-14F	3.50	12.38	5.56									



DUAL PISTON ~ SINGLE ACTING ~ PRE-LUBED ~ PROX READY WELD CYLINDER

FOR EACH ADDITIONAL 1/2" OF STROKE LONGER THAN SHOWN ADD 1.00" TO DIMENSION "A" AND 1/2" INCH TO DIMENSION "B"

BORE	MODEL NO.	STROKE	TABULATED DIMENSIONS					PISTON AREA		FORCE AT LINE PRESSURE P.S.I.		
			A	B	C	D	E	FORWARD	RETURN	60	70	80
15.75 SQ. IN. AREA	3-GTPD-15.75-0.5-14F-R	0.50	7.00	2.88	3.50	2.166	4.50	15.75 SQ. IN.	7.51 SQ. IN.	945 LBS.	1102 LBS.	1260 LBS.
	3-GTPD-15.75-1.0-14F-R	1.00	8.00	3.38								
	3-GTPD-15.75-1.5-14F-R	1.50	9.00	3.88								
	3-GTPD-15.75-2.0-14F-R	2.00	10.00	4.38								
	3-GTPD-15.75-2.5-14F-R	2.50	11.00	4.88								
	3-GTPD-15.75-3.0-14F-R	3.00	12.00	5.38								
18.40 SQ. IN. AREA	3-GTPD-18.40-0.5-14F-R	0.50	7.00	2.88	3.75	2.166	4.50	18.40 SQ. IN.	8.83 SQ. IN.	1104 LBS.	1288 LBS.	1472 LBS.
	3-GTPD-18.40-1.0-14F-R	1.00	8.00	3.38								
	3-GTPD-18.40-1.5-14F-R	1.50	9.00	3.88								
	3-GTPD-18.40-2.0-14F-R	2.00	10.00	4.38								
	3-GTPD-18.40-2.5-14F-R	2.50	11.00	4.88								
	3-GTPD-18.40-3.0-14F-R	3.00	12.00	5.38								
21.25 SQ. IN. AREA	3-GTPD-21.25-0.5-14F-R	0.50	7.00	2.88	4.00	2.166	5.00	21.25 SQ. IN.	10.25 SQ. IN.	1275 LBS.	1487 LBS.	1700 LBS.
	3-GTPD-21.25-1.0-14F-R	1.00	8.00	3.38								
	3-GTPD-21.25-1.5-14F-R	1.50	9.00	3.88								
	3-GTPD-21.25-2.0-14F-R	2.00	10.00	4.38								
	3-GTPD-21.25-2.5-14F-R	2.50	11.00	4.88								
	3-GTPD-21.25-3.0-14F-R	3.00	12.00	5.38								
24.30 SQ. IN. AREA	3-GTPD-24.30-0.5-14F-R	0.50	7.00	2.88	4.25	2.166	5.00	24.30 SQ. IN.	11.78 SQ. IN.	1458 LBS.	1701 LBS.	1944 LBS.
	3-GTPD-24.30-1.0-14F-R	1.00	8.00	3.38								
	3-GTPD-24.30-1.5-14F-R	1.50	9.00	3.88								
	3-GTPD-24.30-2.0-14F-R	2.00	10.00	4.38								
	3-GTPD-24.30-2.5-14F-R	2.50	11.00	4.88								
	3-GTPD-24.30-3.0-14F-R	3.00	12.00	5.38								
3-GTPD-24.30-3.5-14F-R	3.50	13.00	5.88									



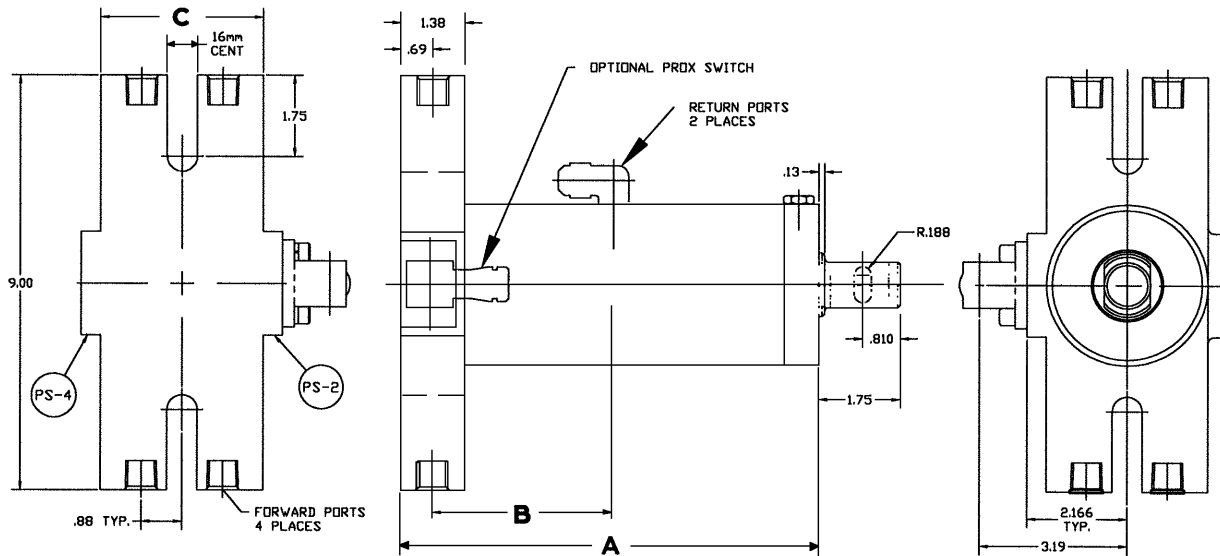
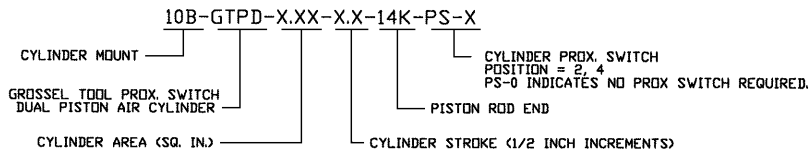
DUAL PISTON ~ SINGLE ACTING ~ PRE-LUBED ~ PROX READY WELD CYLINDER

FOR EACH ADDITIONAL 1/2" OF STROKE LONGER THAN SHOWN ADD 1.00" TO DIMENSION "A" AND 1/2" INCH TO DIMENSION "B"

BORE	MODEL NO.	STROKE	TABULATED DIMENSIONS					PISTON AREA		FORCE AT LINE PRESSURE P.S.I.			
			A	B	C	D	E	FORWARD	RETURN	50	60	70	80
5.98 SQ. IN. AREA	6-GTPD-5.98-0.5-14	0.50	6.38	2.56	2.25	4.50	1.75	5.98 SQ. IN.	2.83 SQ. IN.	299 LBS.	358 LBS.	418 LBS.	478 LBS.
	6-GTPD-5.98-1.0-14	1.00	7.38	3.06									
	6-GTPD-5.98-1.5-14	1.50	8.38	3.56									
	6-GTPD-5.98-2.0-14	2.00	9.38	4.06									
	6-GTPD-5.98-2.5-14	2.50	10.38	4.56									
	6-GTPD-5.98-3.0-14	3.00	11.38	5.06									
7.65 SQ. IN. AREA	6-GTPD-7.65-0.5-14	0.50	6.38	2.56	2.50	5.50	2.00	7.65 SQ. IN.	3.67 SQ. IN.	382 LBS.	459 LBS.	535 LBS.	612 LBS.
	6-GTPD-7.65-1.0-14	1.00	7.38	3.06									
	6-GTPD-7.65-1.5-14	1.50	8.38	3.56									
	6-GTPD-7.65-2.0-14	2.00	9.38	4.06									
	6-GTPD-7.65-2.5-14	2.50	10.38	4.56									
	6-GTPD-7.65-3.0-14	3.00	11.38	5.06									
9.51 SQ. IN. AREA	6-GTPD-9.51-0.5-14	0.50	6.38	2.56	2.75	5.50	2.00	9.51 SQ. IN.	4.60 SQ. IN.	475 LBS.	570 LBS.	665 LBS.	760 LBS.
	6-GTPD-9.51-1.0-14	1.00	7.38	3.06									
	6-GTPD-9.51-1.5-14	1.50	8.38	3.56									
	6-GTPD-9.51-2.0-14	2.00	9.38	4.06									
	6-GTPD-9.51-2.5-14	2.50	10.38	4.56									
	6-GTPD-9.51-3.0-14	3.00	11.38	5.06									
11.57 SQ. IN. AREA	6-GTPD-11.57-0.5-14	0.50	6.38	2.56	3.00	5.75	2.19	11.57 SQ. IN.	5.93 SQ. IN.	578 LBS.	694 LBS.	809 LBS.	925 LBS.
	6-GTPD-11.57-1.0-14	1.00	7.38	3.06									
	6-GTPD-11.57-1.5-14	1.50	8.38	3.56									
	6-GTPD-11.57-2.0-14	2.00	9.38	4.06									
	6-GTPD-11.57-2.5-14	2.50	10.38	4.56									
	6-GTPD-11.57-3.0-14	3.00	11.38	5.06									
13.60 SQ. IN. AREA	6-GTPD-13.60-0.5-14	0.50	6.38	2.56	3.25	5.75	2.19	13.60 SQ. IN.	6.76 SQ. IN.	680 LBS.	816 LBS.	952 LBS.	1088 LBS.
	6-GTPD-13.60-1.0-14	1.00	7.38	3.06									
	6-GTPD-13.60-1.5-14	1.50	8.38	3.56									
	6-GTPD-13.60-2.0-14	2.00	9.38	4.06									
	6-GTPD-13.60-2.5-14	2.50	10.38	4.56									
	6-GTPD-13.60-3.0-14	3.00	11.38	5.06									
6-GTPD-13.60-3.5-14	3.50	12.38	5.56										



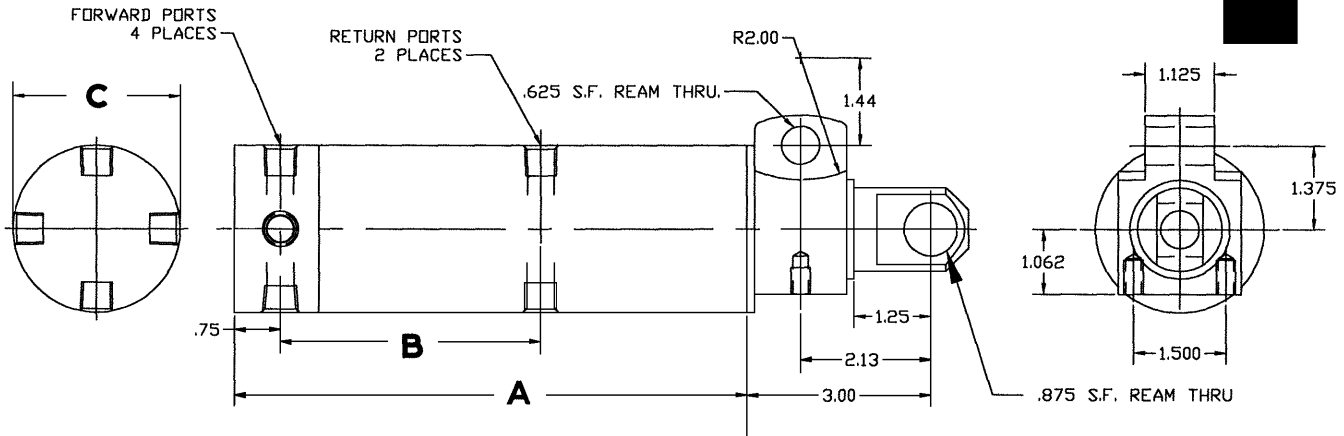
ORDERING INFORMATION



DUAL PISTON ~ SINGLE ACTING ~ PRE-LUBED ~ PROX READY WELD CYLINDER

FOR EACH ADDITIONAL 1/2" OF STROKE LONGER THAN SHOWN ADD 1.00" TO DIMENSION "A" AND 1/2" INCH TO DIMENSION "B"

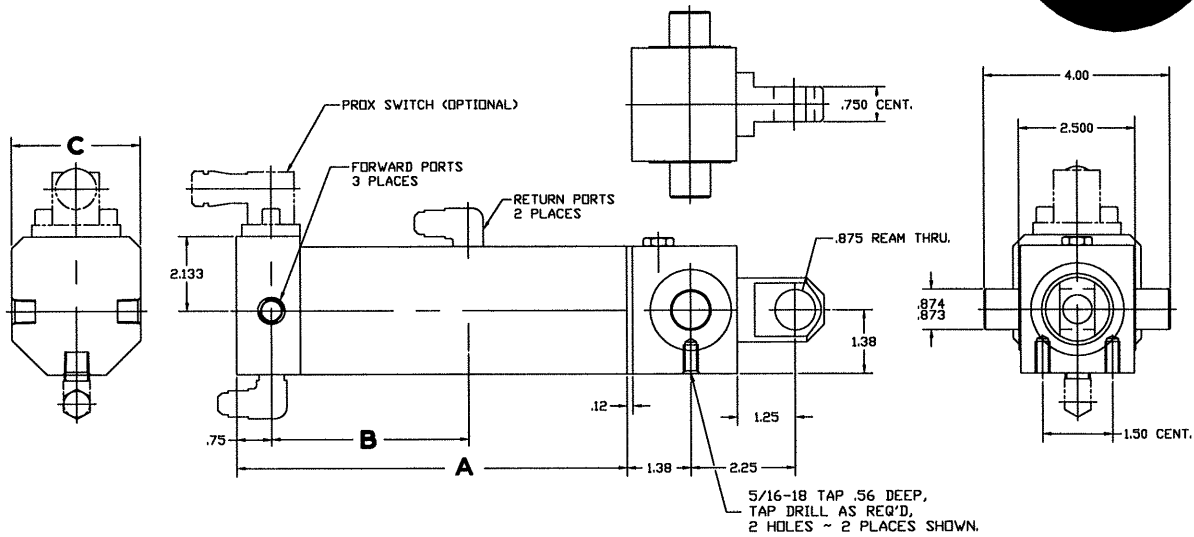
BORE	MODEL NO.	STROKE	TABULATED DIMENSIONS			PISTON AREA		FORCE AT LINE PRESSURE P.S.I.		
			A	B	C	FORWARD	RETURN	60	70	80
15.75 SQ. IN. AREA	10B-GTPD-15.75-0.5-14K-PS-X	0.50	7.00	2.88	3.50	15.75 SQ. IN.	7.51 SQ. IN.	945 LBS.	1102 LBS.	1260 LBS.
	10B-GTPD-15.75-1.0-14K-PS-X	1.00	8.00	3.38						
	10B-GTPD-15.75-1.5-14K-PS-X	1.50	9.00	3.88						
	10B-GTPD-15.75-2.0-14K-PS-X	2.00	10.00	4.38						
	10B-GTPD-15.75-2.5-14K-PS-X	2.50	11.00	4.88						
	10B-GTPD-15.75-3.0-14K-PS-X	3.00	12.00	5.38						
	10B-GTPD-15.75-3.5-14K-PS-X	3.50	13.00	5.88						
18.40 SQ. IN. AREA	10B-GTPD-18.40-0.5-14K-PS-X	0.50	7.00	2.88	3.75	18.40 SQ. IN.	8.83 SQ. IN.	1104 LBS.	1288 LBS.	1472 LBS.
	10B-GTPD-18.40-1.0-14K-PS-X	1.00	8.00	3.38						
	10B-GTPD-18.40-1.5-14K-PS-X	1.50	9.00	3.88						
	10B-GTPD-18.40-2.0-14K-PS-X	2.00	10.00	4.38						
	10B-GTPD-18.40-2.5-14K-PS-X	2.50	11.00	4.88						
	10B-GTPD-18.40-3.0-14K-PS-X	3.00	12.00	5.38						
	10B-GTPD-18.40-3.5-14K-PS-X	3.50	13.00	5.88						
21.25 SQ. IN. AREA	10B-GTPD-21.25-0.5-14K-PS-X	0.50	7.00	2.88	4.00	21.25 SQ. IN.	10.25 SQ. IN.	1275 LBS.	1487 LBS.	1700 LBS.
	10B-GTPD-21.25-1.0-14K-PS-X	1.00	8.00	3.38						
	10B-GTPD-21.25-1.5-14K-PS-X	1.50	9.00	3.88						
	10B-GTPD-21.25-2.0-14K-PS-X	2.00	10.00	4.38						
	10B-GTPD-21.25-2.5-14K-PS-X	2.50	11.00	4.88						
	10B-GTPD-21.25-3.0-14K-PS-X	3.00	12.00	5.38						
	10B-GTPD-21.25-3.5-14K-PS-X	3.50	13.00	5.88						
24.30 SQ. IN. AREA	10B-GTPD-24.30-0.5-14K-PS-X	0.50	7.00	2.88	4.25	24.30 SQ. IN.	11.78 SQ. IN.	1458 LBS.	1701 LBS.	1944 LBS.
	10B-GTPD-24.30-1.0-14K-PS-X	1.00	8.00	3.38						
	10B-GTPD-24.30-1.5-14K-PS-X	1.50	9.00	3.88						
	10B-GTPD-24.30-2.0-14K-PS-X	2.00	10.00	4.38						
	10B-GTPD-24.30-2.5-14K-PS-X	2.50	11.00	4.88						
	10B-GTPD-24.30-3.0-14K-PS-X	3.00	12.00	5.38						
	10B-GTPD-24.30-3.5-14K-PS-X	3.50	13.00	5.88						



DUAL PISTON ~ SINGLE ACTING ~ PRE-LUBED ~ PROX READY WELD CYLINDER

FOR EACH ADDITIONAL 1/2" OF STROKE LONGER THAN SHOWN ADD 1.00" TO DIMENSION "A" AND 1/2" INCH TO DIMENSION "B"

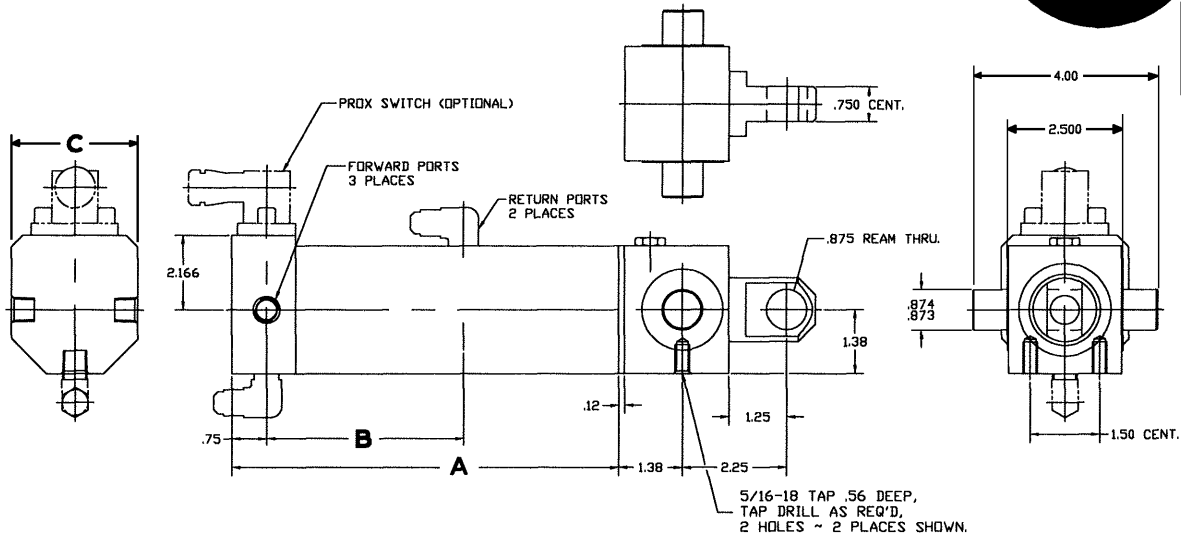
BORE	MODEL NO.	STROKE	TABULATED DIMENSIONS			PISTON AREA		FORCE AT LINE PRESSURE P.S.I.			
			A	B	C	FORWARD	RETURN	50	60	70	80
5.98 SQ. IN. AREA	20B-GTPD-5.98-0.5-19F	0.50	6.38	3.25	2.25	5.98 SQ. IN.	2.83 SQ. IN.	299 LBS.	358 LBS.	418 LBS.	478 LBS.
	20B-GTPD-5.98-1.0-19F	1.00	7.38	3.75							
	20B-GTPD-5.98-1.5-19F	1.50	8.38	4.25							
	20B-GTPD-5.98-2.0-19F	2.00	9.38	4.75							
	20B-GTPD-5.98-2.5-19F	2.50	10.38	5.25							
	20B-GTPD-5.98-3.0-19F	3.00	11.38	5.75							
7.65 SQ. IN. AREA	20B-GTPD-7.65-0.5-19F	0.50	6.38	3.25	2.50	7.65 SQ. IN.	3.67 SQ. IN.	382 LBS.	459 LBS.	535 LBS.	612 LBS.
	20B-GTPD-7.65-1.0-19F	1.00	7.38	3.75							
	20B-GTPD-7.65-1.5-19F	1.50	8.38	4.25							
	20B-GTPD-7.65-2.0-19F	2.00	9.38	4.75							
	20B-GTPD-7.65-2.5-19F	2.50	10.38	5.25							
	20B-GTPD-7.65-3.0-19F	3.00	11.38	5.75							
9.51 SQ. IN. AREA	20B-GTPD-9.51-0.5-19F	0.50	6.38	3.25	2.75	9.51 SQ. IN.	4.60 SQ. IN.	475 LBS.	570 LBS.	665 LBS.	760 LBS.
	20B-GTPD-9.51-1.0-19F	1.00	7.38	3.75							
	20B-GTPD-9.51-1.5-19F	1.50	8.38	4.25							
	20B-GTPD-9.51-2.0-19F	2.00	9.38	4.75							
	20B-GTPD-9.51-2.5-19F	2.50	10.38	5.25							
	20B-GTPD-9.51-3.0-19F	3.00	11.38	5.75							
11.57 SQ. IN. AREA	20B-GTPD-11.57-0.5-19F	0.50	6.38	3.25	3.00	11.57 SQ. IN.	5.93 SQ. IN.	578 LBS.	694 LBS.	809 LBS.	925 LBS.
	20B-GTPD-11.57-1.0-19F	1.00	7.38	3.75							
	20B-GTPD-11.57-1.5-19F	1.50	8.38	4.25							
	20B-GTPD-11.57-2.0-19F	2.00	9.38	4.75							
	20B-GTPD-11.57-2.5-19F	2.50	10.38	5.25							
	20B-GTPD-11.57-3.0-19F	3.00	11.38	5.75							
13.60 SQ. IN. AREA	20B-GTPD-13.60-0.5-19F	0.50	6.38	3.25	3.25	13.60 SQ. IN.	6.76 SQ. IN.	680 LBS.	816 LBS.	952 LBS.	1088 LBS.
	20B-GTPD-13.60-1.0-19F	1.00	7.38	3.75							
	20B-GTPD-13.60-1.5-19F	1.50	8.38	4.25							
	20B-GTPD-13.60-2.0-19F	2.00	9.38	4.75							
	20B-GTPD-13.60-2.5-19F	2.50	10.38	5.25							
	20B-GTPD-13.60-3.0-19F	3.00	11.38	5.75							
	20B-GTPD-13.60-3.5-19F	3.50	12.38	6.25							



DUAL PISTON ~ SINGLE ACTING ~ PRE-LUBED ~ PROX READY WELD CYLINDER

FOR EACH ADDITIONAL 1/2" OF STROKE LONGER THAN SHOWN ADD 1.00" TO DIMENSION "A" AND 1/2" INCH TO DIMENSION "B"

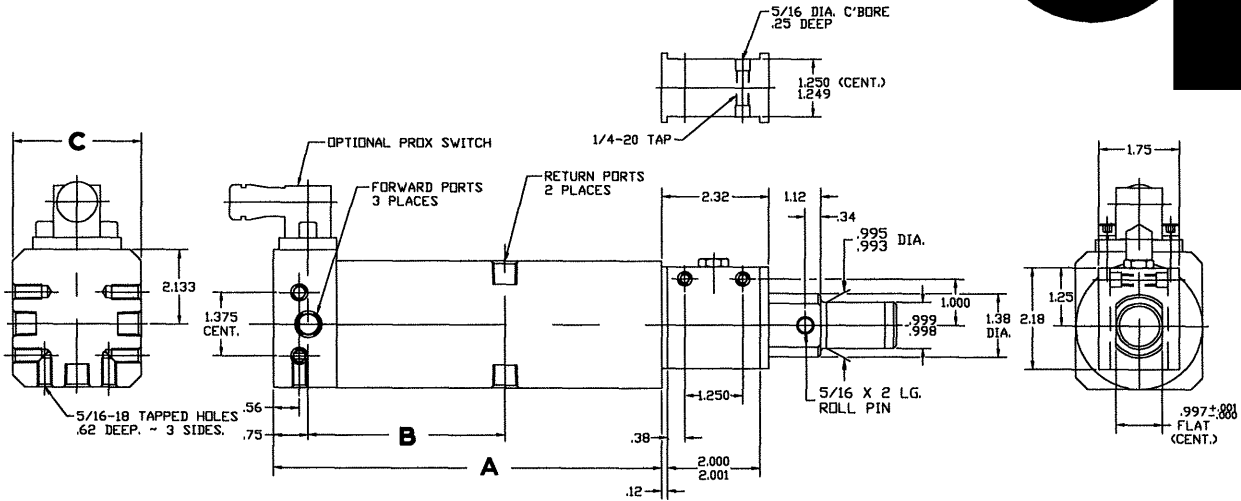
BORE	MODEL NO.	STROKE	TABULATED DIMENSIONS			PISTON AREA		FORCE AT LINE PRESSURE P.S.I.			
			A	B	C	FORWARD	RETURN	50	60	70	80
5.98 SQ. IN. AREA	20G-GTPD-5.98-0.5-19F	0.50	6.38	3.25	2.25	5.98 SQ. IN.	2.83 SQ. IN.	299 LBS.	358 LBS.	418 LBS.	478 LBS.
	20G-GTPD-5.98-1.0-19F	1.00	7.38	3.75							
	20G-GTPD-5.98-1.5-19F	1.50	8.38	4.25							
	20G-GTPD-5.98-2.0-19F	2.00	9.38	4.75							
	20G-GTPD-5.98-2.5-19F	2.50	10.38	5.25							
	20G-GTPD-5.98-3.0-19F	3.00	11.38	5.75							
7.65 SQ. IN. AREA	20G-GTPD-7.65-0.5-19F	0.50	6.38	3.25	2.50	7.65 SQ. IN.	3.67 SQ. IN.	382 LBS.	459 LBS.	535 LBS.	612 LBS.
	20G-GTPD-7.65-1.0-19F	1.00	7.38	3.75							
	20G-GTPD-7.65-1.5-19F	1.50	8.38	4.25							
	20G-GTPD-7.65-2.0-19F	2.00	9.38	4.75							
	20G-GTPD-7.65-2.5-19F	2.50	10.38	5.25							
	20G-GTPD-7.65-3.0-19F	3.00	11.38	5.75							
9.51 SQ. IN. AREA	20G-GTPD-9.51-0.5-19F	0.50	6.38	3.25	2.75	9.51 SQ. IN.	4.60 SQ. IN.	475 LBS.	570 LBS.	665 LBS.	760 LBS.
	20G-GTPD-9.51-1.0-19F	1.00	7.38	3.75							
	20G-GTPD-9.51-1.5-19F	1.50	8.38	4.25							
	20G-GTPD-9.51-2.0-19F	2.00	9.38	4.75							
	20G-GTPD-9.51-2.5-19F	2.50	10.38	5.25							
	20G-GTPD-9.51-3.0-19F	3.00	11.38	5.75							
11.57 SQ. IN. AREA	20G-GTPD-11.57-0.5-19F	0.50	6.38	3.25	3.00	11.57 SQ. IN.	5.93 SQ. IN.	578 LBS.	694 LBS.	809 LBS.	925 LBS.
	20G-GTPD-11.57-1.0-19F	1.00	7.38	3.75							
	20G-GTPD-11.57-1.5-19F	1.50	8.38	4.25							
	20G-GTPD-11.57-2.0-19F	2.00	9.38	4.75							
	20G-GTPD-11.57-2.5-19F	2.50	10.38	5.25							
	20G-GTPD-11.57-3.0-19F	3.00	11.38	5.75							
13.60 SQ. IN. AREA	20G-GTPD-13.60-0.5-19F	0.50	6.38	3.25	3.25	13.60 SQ. IN.	6.76 SQ. IN.	680 LBS.	816 LBS.	952 LBS.	1088 LBS.
	20G-GTPD-13.60-1.0-19F	1.00	7.38	3.75							
	20G-GTPD-13.60-1.5-19F	1.50	8.38	4.25							
	20G-GTPD-13.60-2.0-19F	2.00	9.38	4.75							
	20G-GTPD-13.60-2.5-19F	2.50	10.38	5.25							
	20G-GTPD-13.60-3.0-19F	3.00	11.38	5.75							
20G-GTPD-13.60-3.5-19F	3.50	12.38	6.25								



DUAL PISTON ~ SINGLE ACTING ~ PRE-LUBED ~ PROX READY WELD CYLINDER

FOR EACH ADDITIONAL 1/2" OF STROKE LONGER THAN SHOWN ADD 1.00" TO DIMENSION 'A' AND 1/2" INCH TO DIMENSION 'B'

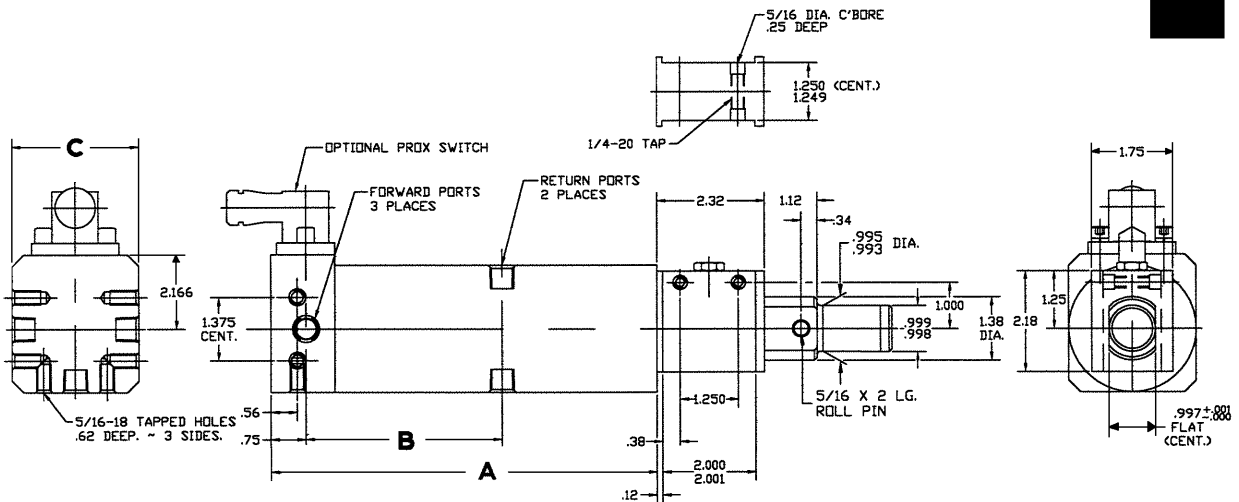
BORE	MODEL NO.	STROKE	TABULATED DIMENSIONS			PISTON AREA		FORCE AT LINE PRESSURE P.S.I.		
			A	B	C	FORWARD	RETURN	60	70	80
15.75 SQ. IN. AREA	20G-GTPD-15.75-0.5-19F	0.50	7.00	3.56	3.50	15.75 SQ. IN.	7.51 SQ. IN.	945 LBS.	1102 LBS.	1260 LBS.
	20G-GTPD-15.75-1.0-19F	1.00	8.00	4.06						
	20G-GTPD-15.75-1.5-19F	1.50	9.00	4.56						
	20G-GTPD-15.75-2.0-19F	2.00	10.00	5.06						
	20G-GTPD-15.75-2.5-19F	2.50	11.00	5.56						
	20G-GTPD-15.75-3.0-19F	3.00	12.00	6.06						
18.40 SQ. IN. AREA	20G-GTPD-18.40-0.5-19F	0.50	7.00	3.56	3.75	18.40 SQ. IN.	8.83 SQ. IN.	1104 LBS.	1288 LBS.	1472 LBS.
	20G-GTPD-18.40-1.0-19F	1.00	8.00	4.06						
	20G-GTPD-18.40-1.5-19F	1.50	9.00	4.56						
	20G-GTPD-18.40-2.0-19F	2.00	10.00	5.06						
	20G-GTPD-18.40-2.5-19F	2.50	11.00	5.56						
	20G-GTPD-18.40-3.0-19F	3.00	12.00	6.06						
21.25 SQ. IN. AREA	20G-GTPD-21.25-0.5-19F	0.50	7.00	3.56	4.00	21.25 SQ. IN.	10.25 SQ. IN.	1275 LBS.	1487 LBS.	1700 LBS.
	20G-GTPD-21.25-1.0-19F	1.00	8.00	4.06						
	20G-GTPD-21.25-1.5-19F	1.50	9.00	4.56						
	20G-GTPD-21.25-2.0-19F	2.00	10.00	5.06						
	20G-GTPD-21.25-2.5-19F	2.50	11.00	5.56						
	20G-GTPD-21.25-3.0-19F	3.00	12.00	6.06						
24.30 SQ. IN. AREA	20G-GTPD-24.30-0.5-19F	0.50	7.00	3.56	4.25	24.30 SQ. IN.	11.78 SQ. IN.	1458 LBS.	1701 LBS.	1944 LBS.
	20G-GTPD-24.30-1.0-19F	1.00	8.00	4.06						
	20G-GTPD-24.30-1.5-19F	1.50	9.00	4.56						
	20G-GTPD-24.30-2.0-19F	2.00	10.00	5.06						
	20G-GTPD-24.30-2.5-19F	2.50	11.00	5.56						
	20G-GTPD-24.30-3.0-19F	3.00	12.00	6.06						
20G-GTPD-24.30-3.5-19F	3.50	13.00	6.56							



DUAL PISTON ~ SINGLE ACTING ~ PRE-LUBED ~ PROX READY WELD CYLINDER

FOR EACH ADDITIONAL 1/2" OF STROKE LONGER THAN SHOWN ADD 1.00" TO DIMENSION "A" AND 1/2" INCH TO DIMENSION "B"

BORE	MODEL NO.	STROKE	TABULATED DIMENSIONS			PISTON AREA		FORCE AT LINE PRESSURE P.S.I.			
			A	B	C	FORWARD	RETURN	50	60	70	80
5.98 SQ. IN. AREA	M171-GTPD-5.98-0.5-14FP	0.50	6.38	3.25	2.25	5.98 SQ. IN.	2.83 SQ. IN.	299 LBS.	358 LBS.	418 LBS.	478 LBS.
	M171-GTPD-5.98-1.0-14FP	1.00	7.38	3.75							
	M171-GTPD-5.98-1.5-14FP	1.50	8.38	4.25							
	M171-GTPD-5.98-2.0-14FP	2.00	9.38	4.75							
	M171-GTPD-5.98-2.5-14FP	2.50	10.38	5.25							
	M171-GTPD-5.98-3.0-14FP	3.00	11.38	5.75							
7.65 SQ. IN. AREA	M171-GTPD-7.65-0.5-14FP	0.50	6.38	3.25	2.50	7.65 SQ. IN.	3.67 SQ. IN.	382 LBS.	459 LBS.	535 LBS.	612 LBS.
	M171-GTPD-7.65-1.0-14FP	1.00	7.38	3.75							
	M171-GTPD-7.65-1.5-14FP	1.50	8.38	4.25							
	M171-GTPD-7.65-2.0-14FP	2.00	9.38	4.75							
	M171-GTPD-7.65-2.5-14FP	2.50	10.38	5.25							
	M171-GTPD-7.65-3.0-14FP	3.00	11.38	5.75							
9.51 SQ. IN. AREA	M171-GTPD-9.51-0.5-14FP	0.50	6.38	3.25	2.75	9.51 SQ. IN.	4.60 SQ. IN.	475 LBS.	570 LBS.	665 LBS.	760 LBS.
	M171-GTPD-9.51-1.0-14FP	1.00	7.38	3.75							
	M171-GTPD-9.51-1.5-14FP	1.50	8.38	4.25							
	M171-GTPD-9.51-2.0-14FP	2.00	9.38	4.75							
	M171-GTPD-9.51-2.5-14FP	2.50	10.38	5.25							
	M171-GTPD-9.51-3.0-14FP	3.00	11.38	5.75							
11.57 SQ. IN. AREA	M171-GTPD-11.57-0.5-14FP	0.50	6.38	3.25	3.00	11.57 SQ. IN.	5.93 SQ. IN.	578 LBS.	694 LBS.	809 LBS.	925 LBS.
	M171-GTPD-11.57-1.0-14FP	1.00	7.38	3.75							
	M171-GTPD-11.57-1.5-14FP	1.50	8.38	4.25							
	M171-GTPD-11.57-2.0-14FP	2.00	9.38	4.75							
	M171-GTPD-11.57-2.5-14FP	2.50	10.38	5.25							
	M171-GTPD-11.57-3.0-14FP	3.00	11.38	5.75							
13.60 SQ. IN. AREA	M171-GTPD-13.60-0.5-14FP	0.50	6.38	3.25	3.25	13.60 SQ. IN.	6.76 SQ. IN.	680 LBS.	816 LBS.	952 LBS.	1088 LBS.
	M171-GTPD-13.60-1.0-14FP	1.00	7.38	3.75							
	M171-GTPD-13.60-1.5-14FP	1.50	8.38	4.25							
	M171-GTPD-13.60-2.0-14FP	2.00	9.38	4.75							
	M171-GTPD-13.60-2.5-14FP	2.50	10.38	5.25							
	M171-GTPD-13.60-3.0-14FP	3.00	11.38	5.75							
M171-GTPD-13.60-3.5-14FP	3.50	12.38	6.25								



DUAL PISTON ~ SINGLE ACTING ~ PRE-LUBED ~ PROX READY WELD CYLINDER

FOR EACH ADDITIONAL 1/2' OF STROKE LONGER THAN SHOWN ADD 1.00" TO DIMENSION 'A' AND 1/2" INCH TO DIMENSION 'B'

BORE	MODEL NO.	STROKE	TABULATED DIMENSIONS			PISTON AREA		FORCE AT LINE PRESSURE P.S.I.		
			A	B	C	FORWARD	RETURN	60	70	80
15.75 SQ. IN. AREA	M171-GTPD-15.75-0.5-14FP	0.50	7.00	3.56	3.50	15.75 SQ. IN.	7.51 SQ. IN.	945 LBS.	1102 LBS.	1260 LBS.
	M171-GTPD-15.75-1.0-14FP	1.00	8.00	4.06						
	M171-GTPD-15.75-1.5-14FP	1.50	9.00	4.56						
	M171-GTPD-15.75-2.0-14FP	2.00	10.00	5.06						
	M171-GTPD-15.75-2.5-14FP	2.50	11.00	5.56						
	M171-GTPD-15.75-3.0-14FP	3.00	12.00	6.06						
	M171-GTPD-15.75-3.5-14FP	3.50	13.00	6.56						
18.40 SQ. IN. AREA	M171-GTPD-18.40-0.5-14FP	0.50	7.00	3.56	3.75	18.40 SQ. IN.	8.83 SQ. IN.	1104 LBS.	1288 LBS.	1472 LBS.
	M171-GTPD-18.40-1.0-14FP	1.00	8.00	4.06						
	M171-GTPD-18.40-1.5-14FP	1.50	9.00	4.56						
	M171-GTPD-18.40-2.0-14FP	2.00	10.00	5.06						
	M171-GTPD-18.40-2.5-14FP	2.50	11.00	5.56						
	M171-GTPD-18.40-3.0-14FP	3.00	12.00	6.06						
	M171-GTPD-18.40-3.5-14FP	3.50	13.00	6.56						
21.25 SQ. IN. AREA	M171-GTPD-21.25-0.5-14FP	0.50	7.00	3.56	4.00	21.25 SQ. IN.	10.25 SQ. IN.	1275 LBS.	1487 LBS.	1700 LBS.
	M171-GTPD-21.25-1.0-14FP	1.00	8.00	4.06						
	M171-GTPD-21.25-1.5-14FP	1.50	9.00	4.56						
	M171-GTPD-21.25-2.0-14FP	2.00	10.00	5.06						
	M171-GTPD-21.25-2.5-14FP	2.50	11.00	5.56						
	M171-GTPD-21.25-3.0-14FP	3.00	12.00	6.06						
	M171-GTPD-21.25-3.5-14FP	3.50	13.00	6.56						
24.30 SQ. IN. AREA	M171-GTPD-24.30-0.5-14FP	0.50	7.00	3.56	4.25	24.30 SQ. IN.	11.78 SQ. IN.	1458 LBS.	1701 LBS.	1944 LBS.
	M171-GTPD-24.30-1.0-14FP	1.00	8.00	4.06						
	M171-GTPD-24.30-1.5-14FP	1.50	9.00	4.56						
	M171-GTPD-24.30-2.0-14FP	2.00	10.00	5.06						
	M171-GTPD-24.30-2.5-14FP	2.50	11.00	5.56						
	M171-GTPD-24.30-3.0-14FP	3.00	12.00	6.06						
	M171-GTPD-24.30-3.5-14FP	3.50	13.00	6.56						