

Grossel Tool Company

Cylinder Catalogue

Section C

Dual and Triple Piston

Air Cylinders

Groups 2 and 3



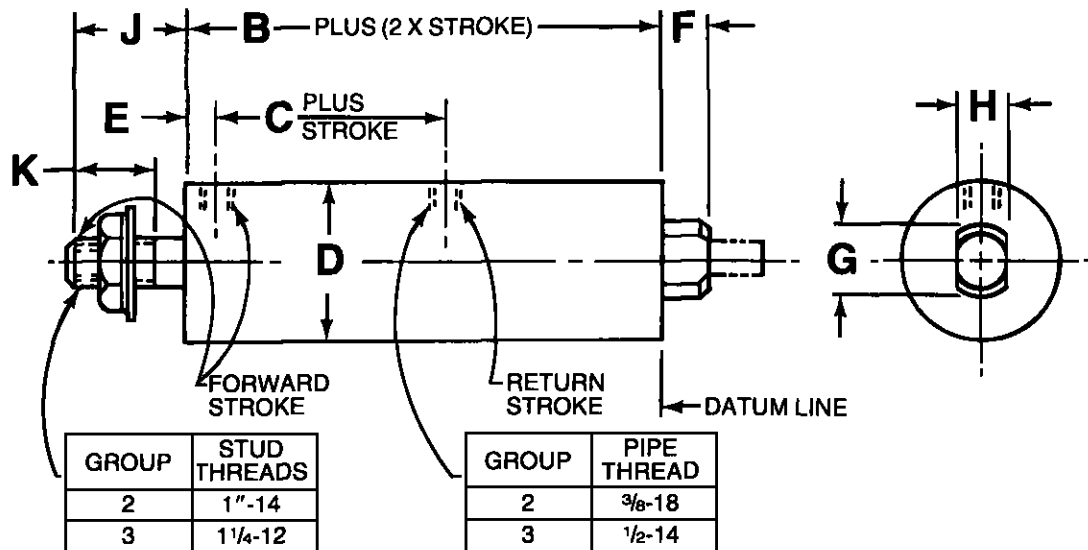


GROUP		2				3			
MODEL		1575	1840	2125	2430	3030	3770	4600	5500
FORWARD PISTON AREA		15.75 SQ IN	18.40 SQ IN	21.25 SQ IN	24.30 SQ IN	30.30 SQ IN	37.70 SQ IN	46.00 SQ IN	55.00 SQ IN
RETURN PISTON AREA		7.51 SQ IN	8.84 SQ IN	10.25 SQ IN	11.75 SQ IN	14.40 SQ IN	18.15 SQ IN	22.27 SQ IN	26.79 SQ IN
L I N E S E R I E S	40 P S I	630 LBS	736	850	972	1212	1508	1840	2200
	50	787	920	1062	1215	1515	1885	2300	2750
	60	945	1104	1275	1458	1818	2262	2760	3300
	70	1102	1288	1487	1700	2121	2639	3220	3850
	80	1260	1472	1700	1944	2424	3016	3680	4400
	90	1417	1656	1912	2187	2727	3393	4140	4950
	100	1575	1840	2125	2430	3030	3770	4600	5500

AIR OPERATED DUAL PISTON CYLINDER PRESSURE CHART



**AIR OPERATED CYLINDER
—DOUBLE ACTING—
NON-ROTATING PISTON ROD
—DUAL PISTON—**



NOTE:
STROKES OF 1-1.5-2-3-4 IN ARE
A RECOMMENDED STANDARD

GROUP	MODEL NO	TABULATED DIMENSIONS								
		B	C	D	E	F	G	H	J	K
2	GA-1575-STROKE*	4 1/2	1 13/16	3.50	3/4	1 1/8	1 5/8	1 1/2	2 3/8	1 3/4
	GA-1840-STROKE*			3.75						
	GA-2125-STROKE*			4.00						
	GA-2430-STROKE*			4.25						
3	GA-3030-STROKE*	5 1/4	2 1/4	5.00	1 3/16	1 1/8	1 3/4	1 1/2	2 3/8	1 3/4
	GA-3770-STROKE*			5.50						
	GA-4600-STROKE*			6.00						
	GA-5500-STROKE*			6.50						

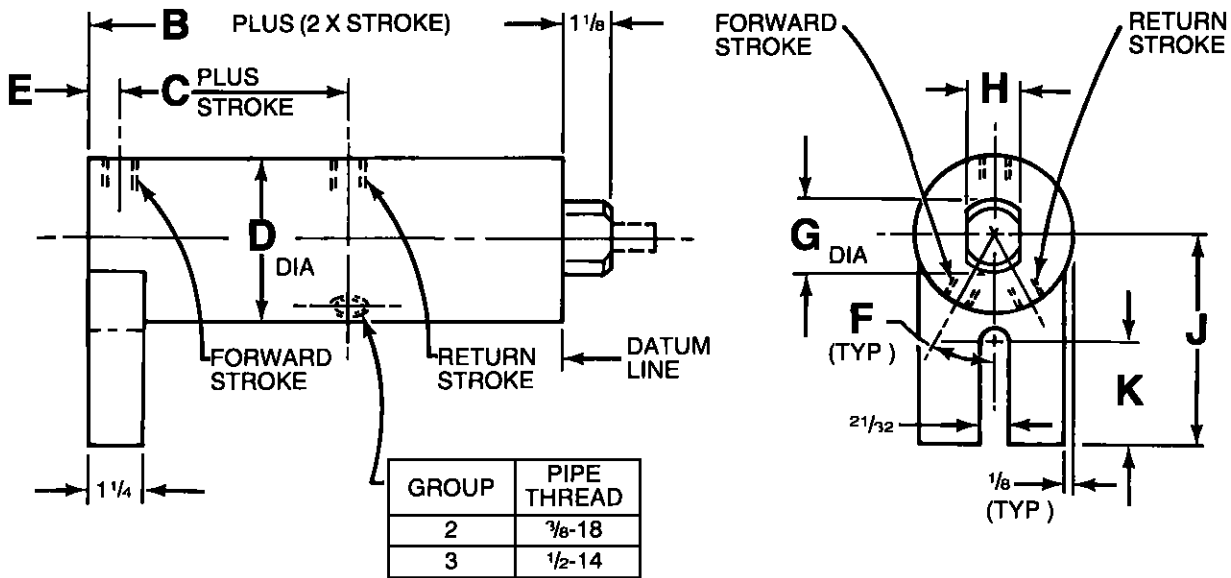
*NOTE Add piston rod end series letter to model no. when ordering, such as "1" or "7"

EXAMPLE

MNTG STYLE	MFGRS CODE	NOMINAL SQ IN AREA	STROKE	ROD END SERIES
G	A	1575	STROKE	*SEE NOTE



AIR OPERATED CYLINDER —DOUBLE ACTING— NON-ROTATING PISTON ROD —DUAL PISTON—



NOTE:
STROKES OF 1-1.5-2-3-4 IN ARE
A RECOMMENDED STANDARD

GROUP	MODEL NO	TABULATED DIMENSIONS								
		B	C	D	E	F	G	H	J	K
2	3GA-1575-STROKE*	4 1/2	1 13/16	3 50	3/4	22 1/2°	1 5/8	1 1/2	4 1/2	2 1/4
	3GA-1840-STROKE*			3 75		20°				
	3GA-2125-STROKE*			4 00						
	3GA-2430-STROKE*			4 25						
3	3GA-3030-STROKE*	5 1/4	2 1/4	5 00	1 3/16	20°	1 3/4	1 1/2	5 1/2	2 1/4
	3GA-3770-STROKE*			5 50						
	3GA-4600-STROKE*			6 00						
	3GA-5500-STROKE*			6 50						

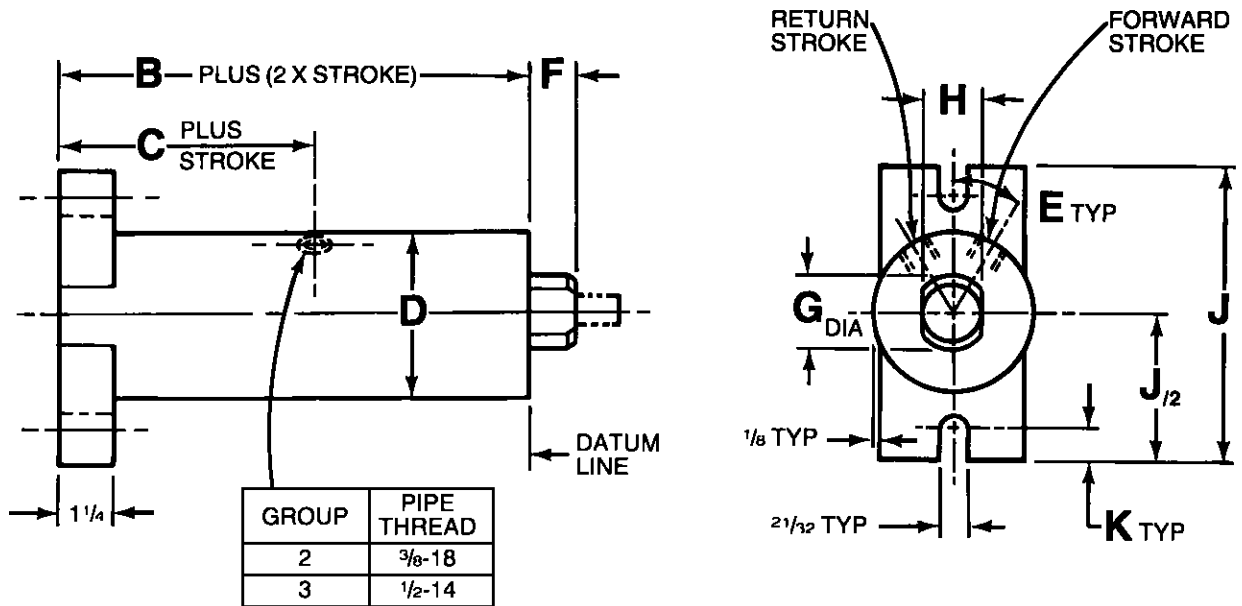
*NOTE Add piston rod end series letter to model no. when ordering, such as "1" or "7"

EXAMPLE

MNTG STYLE	MFGRS CODE	NOMINAL SQ IN AREA	STROKE	ROD END SERIES
3	GA	1575	STROKE	*SEE NOTE



**AIR OPERATED CYLINDER
—DOUBLE ACTING—
NON-ROTATING PISTON ROD
—DUAL PISTON—**



NOTE:
STROKES OF 1-1.5-2-3-4 IN ARE
A RECOMMENDED STANDARD

GROUP	MODEL NO	TABULATED DIMENSIONS								
		B	C	D	E	F	G	H	J	K
2	6-GA-1575-STROKE*	4 1/2	2 9/16	3 50	22 1/2°	1 1/8	1 5/8	1 1/2	6 3/4	3/4
	6-GA-1840-STROKE*			3 75	20°					
	6-GA-2125-STROKE*			4 00					7 1/4	
	6-GA-2430-STROKE*			4 25						
3	6-GA-3030-STROKE*	5 1/4	3 1/8	5 00	20°	1 1/8	1 3/4	1 1/2	7 1/2	5/8
	6-GA-3770-STROKE*			5 50					8 1/2	
	6-GA-4600-STROKE*			6 00						
	6-GA-5500-STROKE*			6 50						

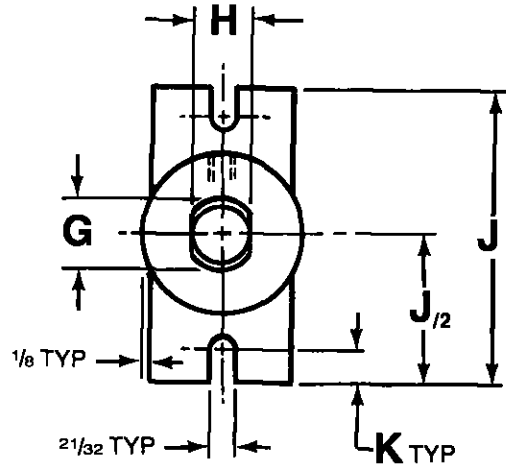
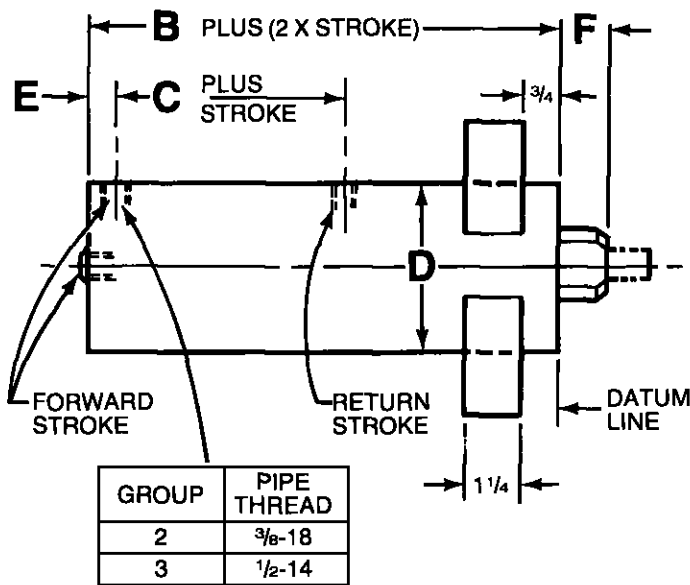
*NOTE Add piston rod end series letter to model no when ordering, such as "1" or "7"

EXAMPLE

MNTG STYLE	MFGRS CODE	NOMINAL SQ IN AREA	STROKE	ROD END SERIES
6	GA	1575	STROKE	*SEE NOTE



**AIR OPERATED CYLINDER
—DOUBLE ACTING—
NON-ROTATING PISTON ROD
—DUAL PISTON—**



NOTE:
STROKES OF 1-1.5-2-3-4 IN ARE
A RECOMMENDED STANDARD

GROUP	MODEL NO	TABULATED DIMENSIONS								
		B	C	D	E	F	G	H	J	K
2	10 3/4-GA-1575-STROKE*	4 1/2	1 13/16	3.50	3/4	1 1/8	1 5/8	1 1/2	6 3/4	3/4
	10 3/4-GA-1840-STROKE*			3.75					7 1/4	
	10 3/4-GA-2125-STROKE*			4.00						
	10 3/4-GA-2430-STROKE*			4.25						
3	10 3/4-GA-3030-STROKE*	5 1/4	2 1/4	5.00	1 3/16	1 1/8	1 3/4	1 1/2	7 1/2	5/8
	10 3/4-GA-3770-STROKE*			5.50					8 1/2	
	10 3/4-GA-4600-STROKE*			6.00						
	10 3/4-GA-5500-STROKE*			6.50						

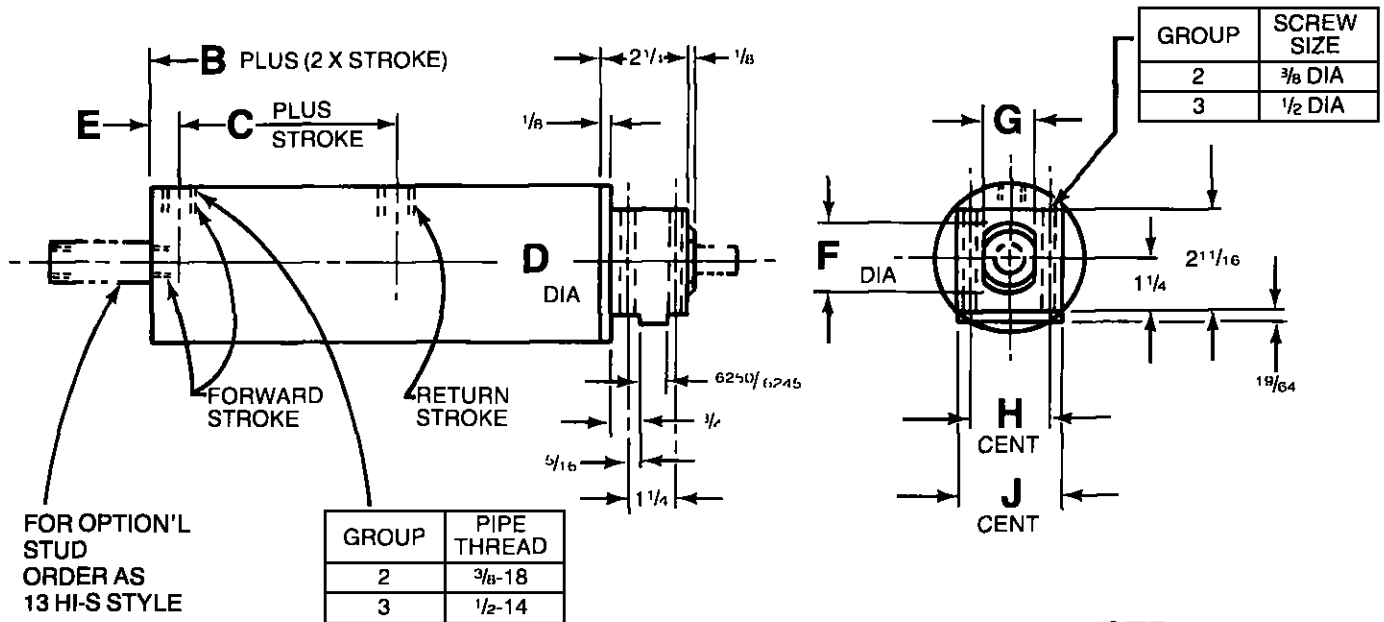
*NOTE Add piston rod end series letter to model no. when ordering, such as "1" or "7"

EXAMPLE

MNTG STYLE	MFGRS CODE	NOMINAL SQ IN AREA	STROKE	ROD END SERIES
10 3/4	GA	1575	STROKE	*SEE NOTE



**AIR OPERATED CYLINDER
—DOUBLE ACTING—
NON-ROTATING PISTON ROD
—DUAL PISTON—**



NOTE:
STROKES OF 1-1.5-2-3-4 IN ARE
A RECOMMENDED STANDARD

GROUP	MODEL NO	TABULATED DIMENSIONS							
		B	C	D	E	F	G	H	J
2	13HI-GA-1575-STROKE*	4 1/2	1 13/16	3.50	3/4	1 5/8	1 1/2	1 7/8	2 1/2
	13HI-GA-1840-STROKE*			3.75					
	13HI-GA-2125-STROKE*			4.00					
	13HI-GA-2430-STROKE*			4.25					
3	13HI-GA-3030-STROKE*	5 1/4	2 1/4	5.00	1 3/16	1 3/4	1 1/2	2 1/8	3
	13HI-GA-3770-STROKE*			5.50					
	13HI-GA-4600-STROKE*			6.00					
	13HI-GA-5500-STROKE*			6.50					

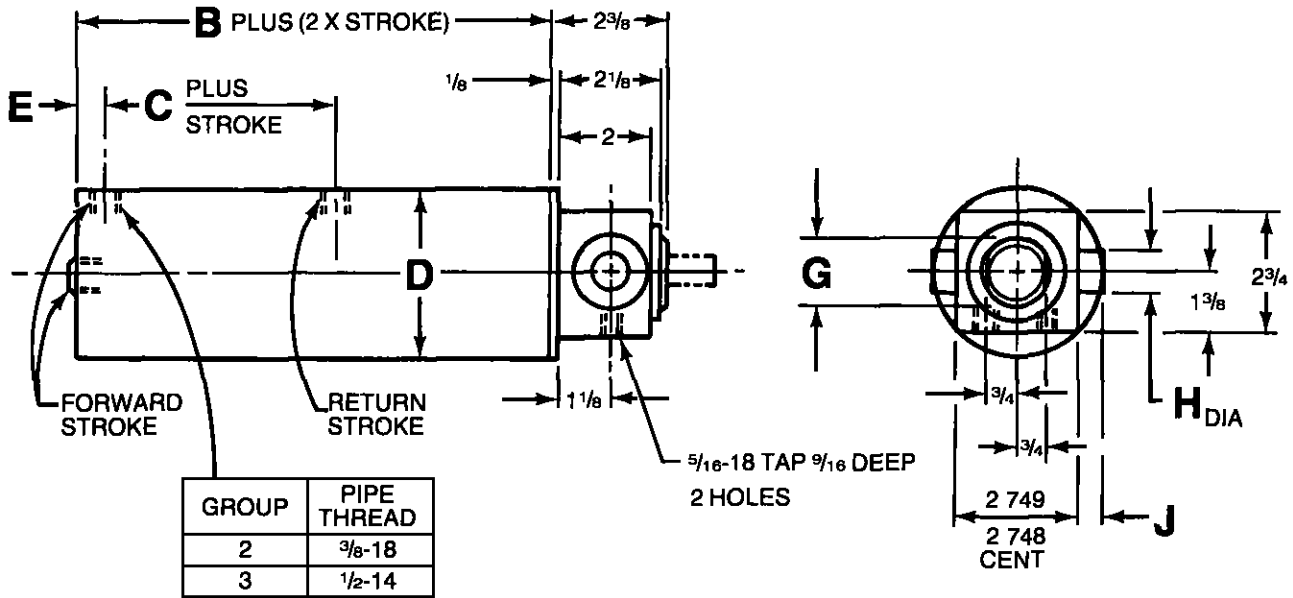
*NOTE Add piston rod end series letter to model no. when ordering, such as "1" or "7"

EXAMPLE

MNTG STYLE	MFGRS CODE	NOMINAL SQ IN AREA	STROKE	ROD END SERIES
13HI	GA	1575	STROKE	*SEE NOTE



AIR OPERATED CYLINDER
—DOUBLE ACTING—
NON-ROTATING PISTON ROD
—DUAL PISTON—



NOTE:
 STROKES OF 1-1.5-2-3-4 IN ARE
 A RECOMMENDED STANDARD

GROUP	MODEL NO	TABULATED DIMENSIONS							
		B	C	D	E	F	G	H	J
2	20A-GA-1575-STROKE*	4 1/2	1 13/16	3.50	3/4		1 5/8	875/874	17/32
	20A-GA-1840-STROKE*			3.75					
	20A-GA-2125-STROKE*			4.00					
	20A-GA-2430-STROKE*			4.25					
3	20A-GA-3030-STROKE*	5 1/4	2 1/4	5.00	1 3/16		1 3/4	999/998	2 1/32
	20A-GA-3770-STROKE*			5.50					
	20A-GA-4600-STROKE*			6.00					
	20A-GA-5500-STROKE*			6.50					

*NOTE Add piston rod end series letter to model no. when ordering, such as "1" or "7"

EXAMPLE

MNTG STYLE	MFGRS CODE	NOMINAL SQ IN AREA	STROKE	ROD END SERIES
20A	GA	1575	STROKE	*SEE NOTE

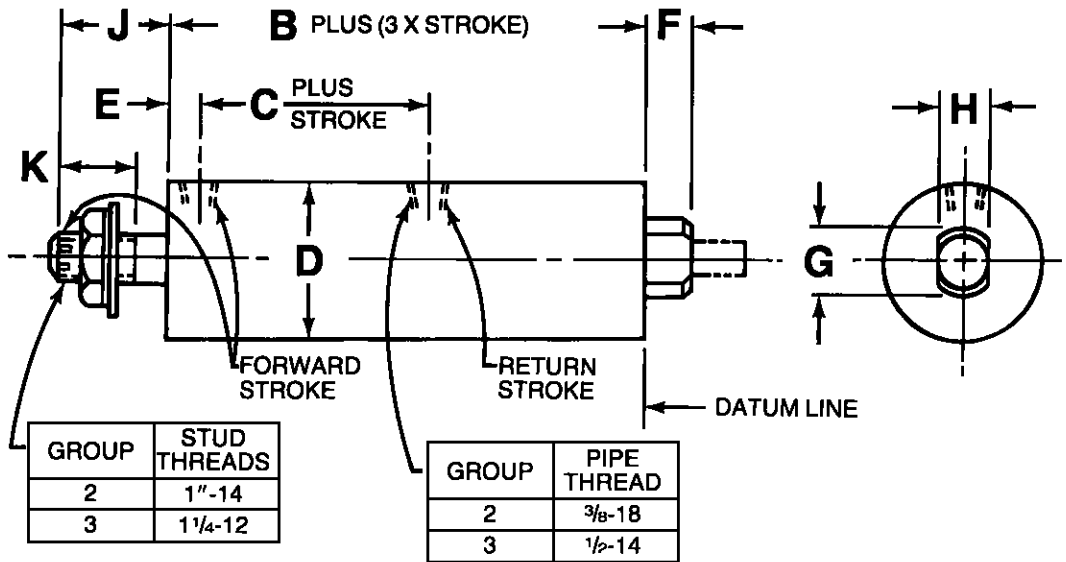


GROUP		2				3			
MODEL		2320	2710	3140	3600	4450	5550	6800	8150
FORWARD PISTON AREA		23.20 SQ IN	27.10 SQ IN	31.40 SQ IN	36.00 SQ IN	44.50 SQ IN	55.50 SQ IN	68.00 SQ IN	81.50 SQ IN
RETURN PISTON AREA		7.51 SQ IN	8.84 SQ IN	10.25 SQ IN	11.75 SQ IN	14.40 SQ IN	18.15 SQ IN	22.27 SQ IN	26.79 SQ IN
LINE DESIGNATION	40 P. S.I	928 LBS	1084	1256	1440	1780	2220	2720	3260
	50	1160	1355	1572	1800	2225	2775	3400	4075
	60	1392	1626	1884	2160	2670	3330	4080	4890
	70	1624	1897	2198	2520	3115	3885	4760	5705
	80	1856	2168	2512	2880	3560	4440	5440	6520
	90	2088	2439	2826	3240	4005	4995	6120	7335
	100	2320	2710	3140	3600	4450	5550	6800	8150

AIR OPERATED TRIPLE PISTON CYLINDER PRESSURE CHART



**AIR OPERATED CYLINDER
—DOUBLE ACTING—
NON-ROTATING PISTON ROD
—TRIPLE PISTON—**



NOTE:
STROKES OF 1-1.5-2-3-4 IN ARE
A RECOMMENDED STANDARD

GROUP	MODEL NO	TABULATED DIMENSIONS								
		B	C	D	E	F	G	H	J	K
2	GAC-2320-STROKE*	6	1 13/16	3.50	3/4	1 1/8	1 5/8	1 1/2	2 3/8	1 3/4
	GAC-2710-STROKE*			3.75						
	GAC-3140-STROKE*			4.00						
	GAC-3600-STROKE*			4.25						
3	GAC-4450-STROKE*	7	2 1/4	5.00	1 3/16	1 1/8	1 3/4	1 1/2	2 3/8	1 3/4
	GAC-5550-STROKE*			5.50						
	GAC-6800-STROKE*			6.00						
	GAC-8150-STROKE*			6.50						

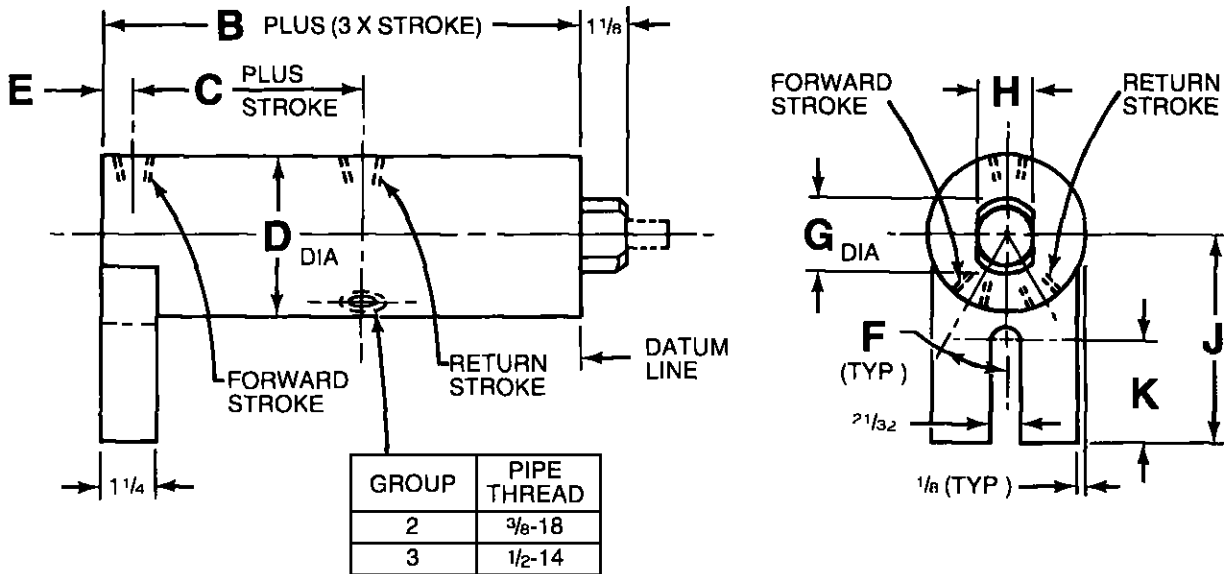
*NOTE Add piston rod end series letter to model no. when ordering, such as "1" or "7"

EXAMPLE

MNTG STYLE	MFGRS CODE	NOMINAL SQ IN AREA	STROKE	ROD END SERIES
GAC	—	2320	— STROKE	*SEE NOTE



AIR OPERATED CYLINDER
—DOUBLE ACTING—
NON-ROTATING PISTON ROD
—TRIPLE PISTON—



NOTE:
 STROKES OF 1-1.5-2-3-4 IN ARE
 A RECOMMENDED STANDARD

GROUP	MODEL NO	TABULATED DIMENSIONS								
		B	C	D	E	F	G	H	J	K
2	3GAC-2320-STROKE*	6	1 ³ / ₁₆	3.50	3/4	22 ¹ / ₂ °	1 ⁵ / ₈	1 ¹ / ₂	4 ¹ / ₂	2 ¹ / ₈
	3GAC-2710-STROKE*			3.75		20°				
	3GAC-3140-STROKE*			4.00						
	3GAC-3600-STROKE*			4.25						
3	3GAC-4450-STROKE*	7	2 ¹ / ₄	5.00	1 ³ / ₁₆	20°	1 ³ / ₄	1 ¹ / ₂	5 ¹ / ₂	2 ¹ / ₄
	3GAC-5550-STROKE*			5.50					6	
	3GAC-6800-STROKE*			6.00						
	3GAC-8150-STROKE*			6.50						

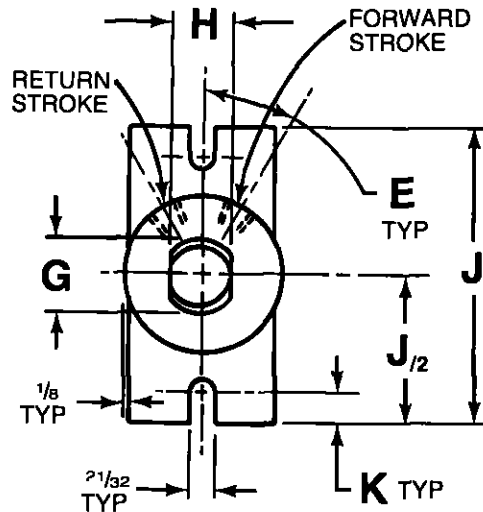
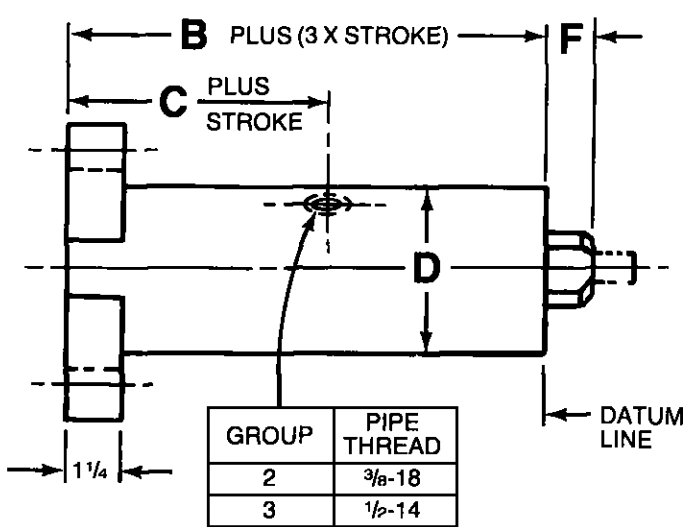
*NOTE Add piston rod end series letter to model no. when ordering, such as "1" or "7"

EXAMPLE

MNTG STYLE	MFGRS CODE	NOMINAL SQ IN AREA	STROKE	ROD END SERIES
3	GAC	2320	STROKE	*SEE NOTE



AIR OPERATED CYLINDER —DOUBLE ACTING— NON-ROTATING PISTON ROD —TRIPLE PISTON—



NOTE:
STROKES OF .1-1.5-2-3-4 IN ARE
A RECOMMENDED STANDARD

GROUP	MODEL NO	TABULATED DIMENSIONS								
		B	C	D	E	F	G	H	J	K
2	6-GAC-2320-STROKE*	6	2 9/16	3 50	22 1/2°	1 1/8	1 5/8	1 1/2	6 3/4	3/4
	6-GAC-2710-STROKE*			3 75	20°					
	6-GAC-3140-STROKE*			4 00						
	6-GAC-3600-STROKE*			4 25						
3	6-GAC-4450-STROKE*	7	3 1/16	5 00	20°	1 1/8	1 3/4	1 1/2	7 1/2	5/8
	6-GAC-5550-STROKE*			5 50						
	6-GAC-6800-STROKE*			6 00						
	6-GAC-8150-STROKE*			6 50						

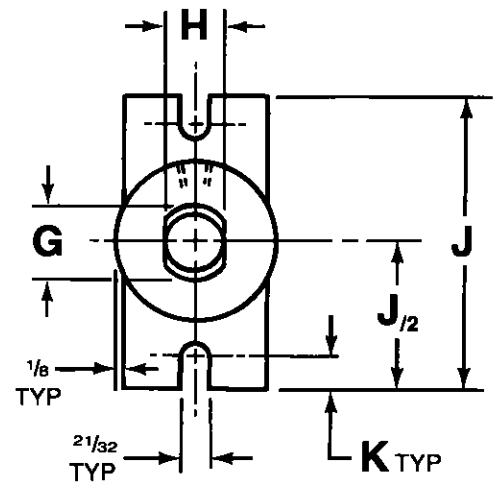
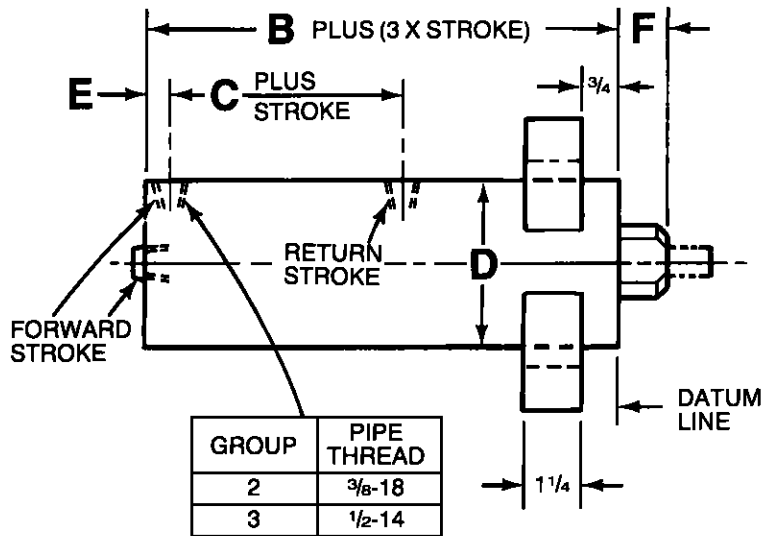
*NOTE Add piston rod end series letter to model no when ordering, such as "1" or "7"

EXAMPLE

MNTG STYLE	MFGRS CODE	NOMINAL SQ IN AREA	STROKE	ROD END SERIES
6	GAC	2320	STROKE	*SEE NOTE



**AIR OPERATED CYLINDER
—DOUBLE ACTING—
NON-ROTATING PISTON ROD
—TRIPLE PISTON—**



NOTE:
STROKES OF 1-1.5-2-3-4 IN ARE
A RECOMMENDED STANDARD

GROUP	MODEL NO	TABULATED DIMENSIONS								
		B	C	D	E	F	G	H	J	K
2	10 3/4-GAC-2320-STROKE*	6	1 13/16	3.50	3/4	1 1/8	1 5/8	1 1/2	6 3/4	3/4
	10 3/4-GAC-2710-STROKE*			3.75					7 1/4	
	10 3/4-GAC-3140-STROKE*			4.00						
	10 3/4-GAC-3600-STROKE*			4.25						
3	10 3/4-GAC-4450-STROKE*	7	2 1/4	5.00	1 3/16	1 1/8	1 3/4	1 1/2	7 1/2	5/8
	10 3/4-GAC-5550-STROKE*			5.50					8 1/2	
	10 3/4-GAC-6800-STROKE*			6.00						
	10 3/4-GAC-8150-STROKE*			6.50						

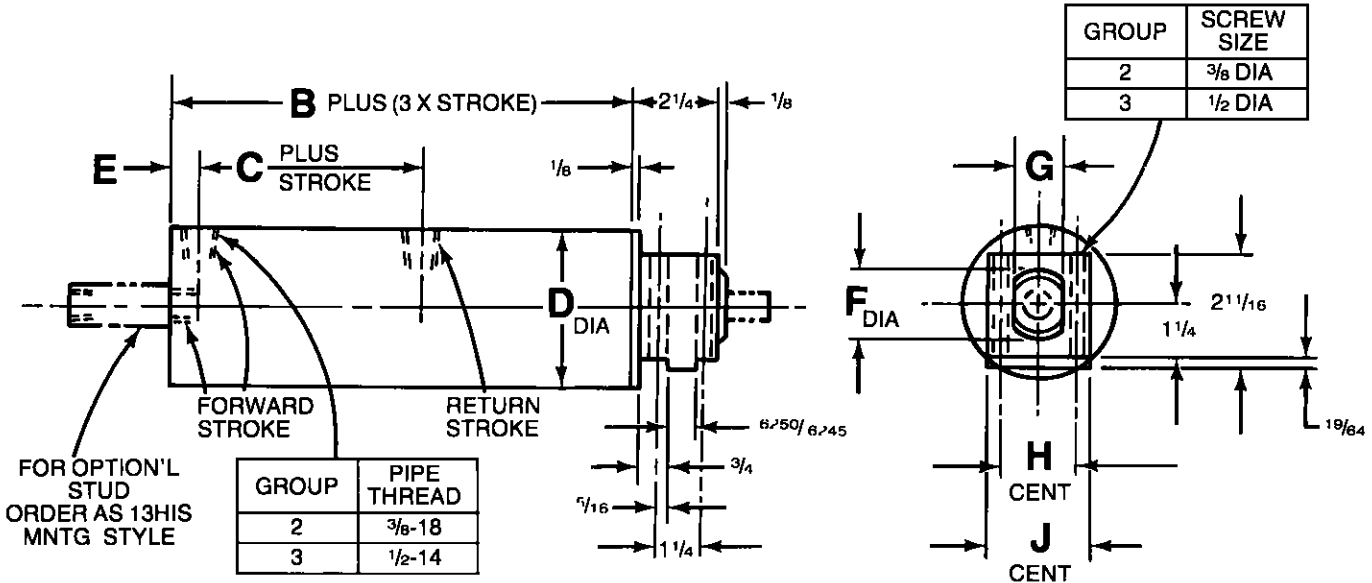
*NOTE Add piston rod end series letter to model no. when ordering, such as "1" or "7"

EXAMPLE

MNTG STYLE	MFGRS CODE	NOMINAL SQ IN AREA	STROKE	ROD END SERIES
10 3/4	GAC	2320	STROKE	*SEE NOTE



**AIR OPERATED CYLINDER
—DOUBLE ACTING—
NON-ROTATING PISTON ROD
—TRIPLE PISTON—**



NOTE:
STROKES OF 1-1.5-2-3-4 IN ARE
A RECOMMENDED STANDARD

GROUP	MODEL NO	TABULATED DIMENSIONS							
		B	C	D	E	F	G	H	J
2	13HI-GAC-2320-STROKE*	6	1 13/16	3.50	3/4	1 5/8	1 1/2	1 7/8	2 1/2
	13HI-GAC-2710-STROKE*			3.75					
	13HI-GAC-3140-STROKE*			4.00					
	13HI-GAC-3600-STROKE*			4.25					
3	13HI-GAC-4450-STROKE*	7	2 1/4	5.00	1 3/16	1 3/4	1 1/2	2 1/8	3
	13HI-GAC-5550-STROKE*			5.50					
	13HI-GAC-6800-STROKE*			6.00					
	13HI-GAC-8150-STROKE*			6.50					

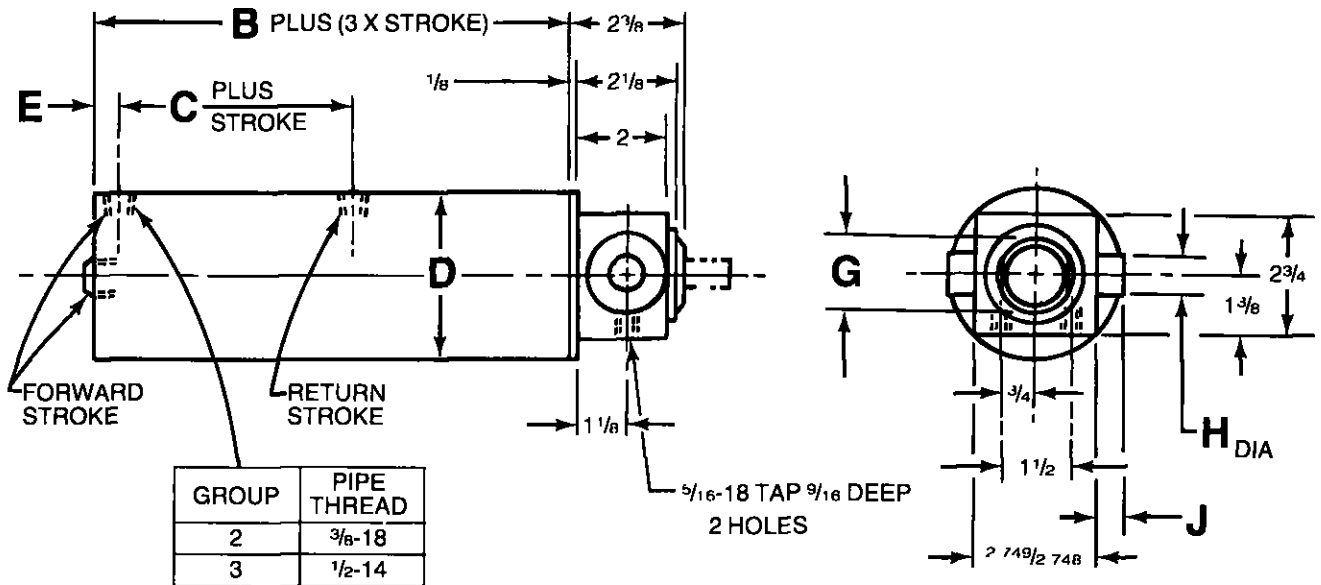
*NOTE Add piston rod end series letter to model no. when ordering, such as "1" or "7"

EXAMPLE

MNTG STYLE	MFGRS CODE	NOMINAL SQ IN AREA	STROKE	ROD END SERIES
13HI	GAC	2320	STROKE	*SEE NOTE



**AIR OPERATED CYLINDER
—DOUBLE ACTING—
NON-ROTATING PISTON ROD
—TRIPLE PISTON—**



NOTE:
STROKES OF 1-1.5-2-3-4 IN ARE
A RECOMMENDED STANDARD

GROUP	MODEL NO	TABULATED DIMENSIONS							
		B	C	D	E	F	G	H	J
2	20A-GAC-2320-STROKE*	6	1 13/16	3.50	3/4		1 5/8	875/874	17/32
	20A-GAC-2710-STROKE*			3.75					
	20A-GAC-3140-STROKE*			4.00					
	20A-GAC-3600-STROKE*			4.25					
3	20A-GAC-4450-STROKE*	7	2 1/4	5.00	13/16		1 3/4	999/998	2 1/32
	20A-GAC-5550-STROKE*			5.50					
	20A-GAC-6800-STROKE*			6.00					
	20A-GAC-8150-STROKE*			6.50					

*NOTE Add piston rod end series letter to model no. when ordering, such as "1" or "7"

EXAMPLE

MNTG STYLE	MFGRS CODE	NOMINAL SQ IN AREA	STROKE	ROD END SERIES
20A	GAC	2320	STROKE	*SEE NOTE