

# Grossel Tool Company

Cylinder Catalogue

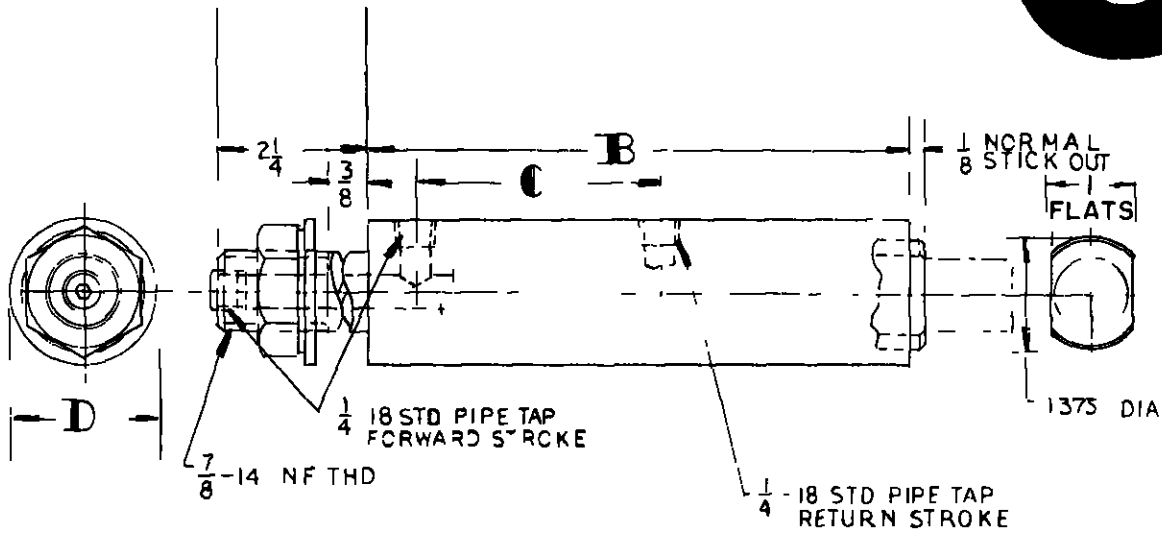
**Section B**

Triple Piston

Air Cylinders

Group 1



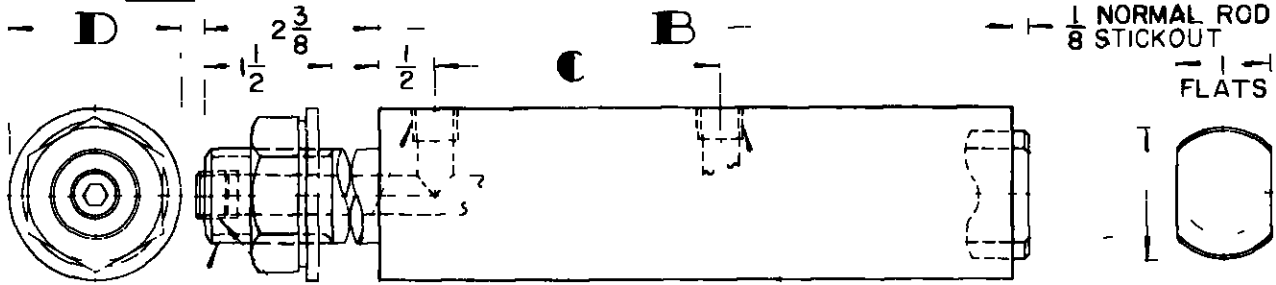


For each additional 1/2" of stroke longer than shown, add 1 1/2" to dimension B

EXAMPLE OF CODE					TABULATED DIMENSIONS			PISTON AREA		FORCE AT LINE PRESSURE PSI		
mtng style	mfg std	nom sq in area	strk ln 1/2 incr	rod end ser	B	C	D	FORWARD	RE-TURN	60	70	80
GAC — 640 — 1.5 — See Note*				BORE								
1 3/4 Triple Piston	GAC-640-0.5-*		1/2	5 3/4	17 1/8	2	6 60 sq in	2 10 sq in	396 lbs	462 lbs	528 lbs	
	GAC-640-1.0-*		1	7 1/4	2 3/8							
	GAC-640-1.5-*		1 1/2	8 3/4	2 7/8							
	GAC-640-2.0-*		2	10 1/4	3 3/8							
	GAC-640-2.5-*		2 1/2	11 3/4	3 7/8							
2 Triple Piston	GAC-640-3.0-*		3	13 1/4	4 3/8	2 1/4	8 81 sq in	2 84 sq in	528 lbs	616 lbs	704 lbs	
	GAC-867-0.5-*		1/2	5 3/4	17 1/8							
	GAC-867-1.0-*		1	7 1/4	2 3/8							
	GAC-867-1.5-*		1 1/2	8 3/4	2 7/8							
	GAC-867-2.0-*		2	10 1/4	3 3/8							
2 1/4 Triple Piston	GAC-867-2.5-*		2 1/2	11 3/4	3 7/8	2 1/2	11 17 sq in	3 67 sq in	670 lbs	781 lbs	893 lbs	
	GAC-867-3.0-*		3	13 1/4	4 3/8							
	GAC-1117-0.5-*		1/2	5 3/4	17 1/8							
	GAC-1117-1.0-*		1	7 1/4	2 3/8							
	GAC-1117-1.5-*		1 1/2	8 3/4	2 7/8							
2 1/2 Triple Piston	GAC-1117-2.0-*		2	10 1/4	3 3/8	2 3/4	14 11 sq in	4 60 sq in	846 lbs	987 lbs	1,128 lbs	
	GAC-1117-2.5-*		2 1/2	11 3/4	3 7/8							
	GAC-1117-3.0-*		3	13 1/4	4 3/8							
	GAC-1397-0.5-*		1/2	5 3/4	17 1/8							
	GAC-1397-1.0-*		1	7 1/4	2 3/8							
2 3/4 Triple Piston	GAC-1397-1.5-*		1 1/2	8 3/4	2 7/8	3	17 20 sq in	5 63 sq in	1,032 lbs	1,204 lbs	1,376 lbs	
	GAC-1397-2.0-*		2	10 1/4	3 3/8							
	GAC-1397-2.5-*		2 1/2	11 3/4	3 7/8							
	GAC-1397-3.0-*		3	13 1/4	4 3/8							
	GAC-1700-0.5-*		1/2	5 3/4	17 1/8							
3 Triple Piston	GAC-1700-1.0-*		1	7 1/4	2 3/8	3 1/4	20 45 sq in	6 76 sq in	1,227 lbs	1,431 lbs	1,636 lbs	
	GAC-1700-1.5-*		1 1/2	8 3/4	2 7/8							
GAC-1700-2.0-*		2	10 1/4	3 3/8								
GAC-1700-2.5-*		2 1/2	11 3/4	3 7/8								
GAC-1700-3.0-*		3	13 1/4	4 3/8								
GAC-2100-0.5-*		1/2	5 3/4	17 1/8								

\*NOTE Add piston rod end series number to model no when ordering, such as "1", or "7", etc

**GROSSEL TOOL COMPANY**



1/4 -18 STD PIPE TAP  
FORWARD STROKE

1.375  
DIA

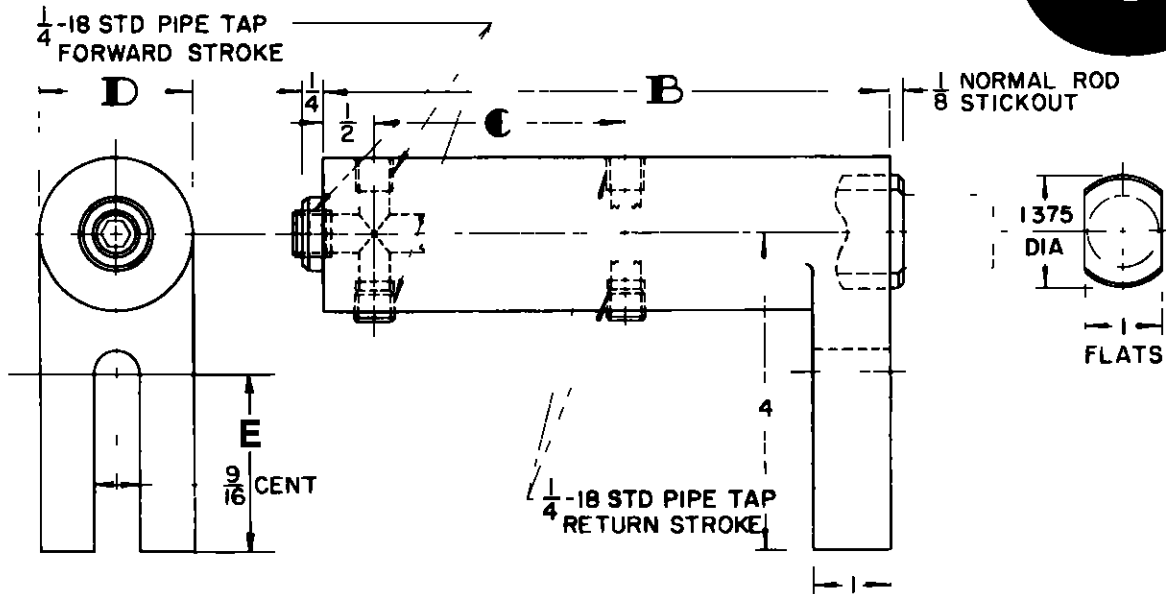
1-14 N F THD

1/4 -18 STD PIPE TAP  
RETURN STROKE

For each additional 1/2" of stroke longer than shown, add 1 1/2" to dimension B

EXAMPLE OF CODE					TABULATED DIMENSIONS			PISTON AREA		FORCE AT LINE PRESSURE PSI		
mntg style	mfg std	nom sq in area	strk ln 1/2 incr	rod end ser	B	C	D	FOR- WARD	RE- TURN	60	70	80
1B — GAC — 640 — 15 — See Note*												
BORE		MODEL NO		STROKE								
1 3/4 Triple Piston	1B-GAC-640-0.5-*		1/2	5 3/4	1 7/8	2	6.60 sq in	2.10 sq in	396 lbs	462 lbs	528 lbs	
	1B-GAC-640-1.0-*		1	7 1/4	2 3/8							
	1B-GAC-640-1.5-*		1 1/2	8 3/4	2 7/8							
	1B-GAC-640-2.0-*		2	10 1/4	3 3/8							
	1B-GAC-640-2.5-*		2 1/2	11 3/4	3 7/8							
	1B-GAC-640-3.0-*		3	13 1/4	4 3/8							
2 Triple Piston	1B-GAC-867-0.5-*		1/2	5 3/4	1 7/8	2 1/4	8.81 sq in	2.84 sq in	528 lbs	616 lbs	704 lbs	
	1B-GAC-867-1.0-*		1	7 1/4	2 3/8							
	1B-GAC-867-1.5-*		1 1/2	8 3/4	2 7/8							
	1B-GAC-867-2.0-*		2	10 1/4	3 3/8							
	1B-GAC-867-2.5-*		2 1/2	11 3/4	3 7/8							
	1B-GAC-867-3.0-*		3	13 1/4	4 3/8							
2 1/4 Triple Piston	1B-GAC-1117-0.5-*		1/2	5 3/4	1 7/8	2 1/2	11.17 sq in	3.67 sq in	670 lbs	781 lbs	893 lbs	
	1B-GAC-1117-1.0-*		1	7 1/4	2 3/8							
	1B-GAC-1117-1.5-*		1 1/2	8 3/4	2 7/8							
	1B-GAC-1117-2.0-*		2	10 1/4	3 3/8							
	1B-GAC-1117-2.5-*		2 1/2	11 3/4	3 7/8							
	1B-GAC-1117-3.0-*		3	13 1/4	4 3/8							
2 1/2 Triple Piston	1B-GAC-1397-0.5-*		1/2	5 3/4	1 7/8	2 3/4	14.11 sq in	4.60 sq in	846 lbs	987 lbs	1,128 lbs	
	1B-GAC-1397-1.0-*		1	7 1/4	2 3/8							
	1B-GAC-1397-1.5-*		1 1/2	8 3/4	2 7/8							
	1B-GAC-1397-2.0-*		2	10 1/4	3 3/8							
	1B-GAC-1397-2.5-*		2 1/2	11 3/4	3 7/8							
	1B-GAC-1397-3.0-*		3	13 1/4	4 3/8							
2 3/4 Triple Piston	1B-GAC-1700-0.5-*		1/2	5 3/4	1 7/8	3	17.20 sq in	5.63 sq in	1,032 lbs	1,204 lbs	1,376 lbs	
	1B-GAC-1700-1.0-*		1	7 1/4	2 3/8							
	1B-GAC-1700-1.5-*		1 1/2	8 3/4	2 7/8							
	1B-GAC-1700-2.0-*		2	10 1/4	3 3/8							
	1B-GAC-1700-2.5-*		2 1/2	11 3/4	3 7/8							
	1B-GAC-1700-3.0-*		3	13 1/4	4 3/8							

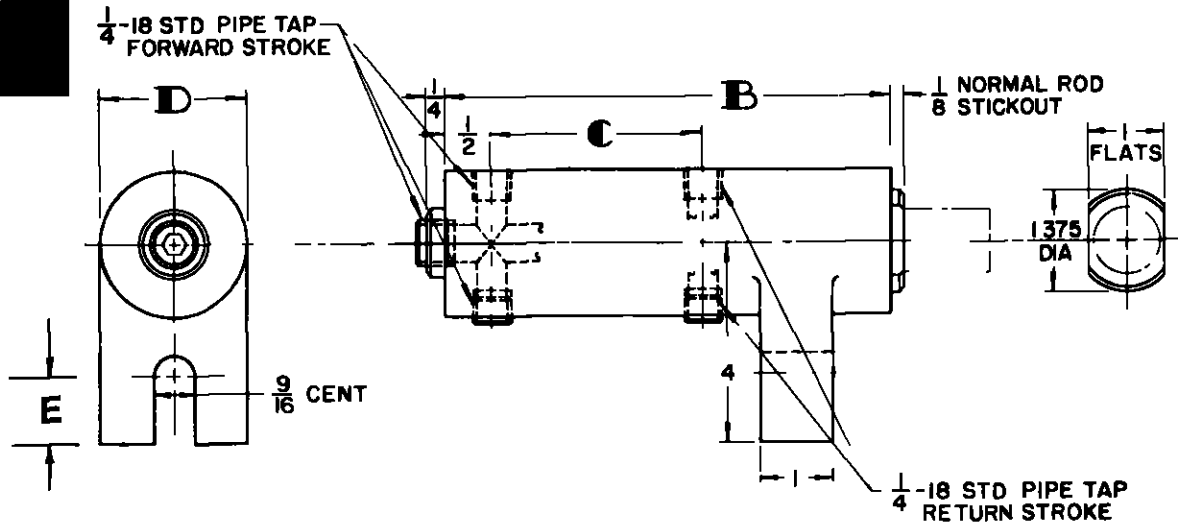
\*NOTE Add piston rod end series number to model no. when ordering, such as "1", or "7", etc



For each additional 1/2" of stroke longer than shown, add 1 1/2" to dimension B

EXAMPLE OF CODE					TABULATED DIMENSIONS				PISTON AREA		FORCE AT LINE PRESSURE PSI		
mtng style	mfg std	nom sq in area	strk in 1/2 incr	rod end ser	B	C	D	E	FORWARD	RE-TURN	60	70	80
2 - GAC - 640 - 15 - See Note*				BORE									
1 3/4 Triple Piston	2-GAC-640-0 5-*		1/2	5 3/4	17 1/8	2	2 1/4	6 60 sq in	2 10 sq in	396 lbs	462 lbs	528 lbs	
	2-GAC-640-1 0-*		1	7 1/4	2 3/8								
	2-GAC-640-1 5-*		1 1/2	8 3/4	2 7/8								
	2-GAC-640-2 0-*		2	10 1/4	3 3/8								
	2-GAC-640-2 5-*		2 1/2	11 3/4	3 7/8								
	2-GAC-640-3 0-*		3	13 1/4	4 3/8								
2 Triple Piston	2-GAC-867-0 5-*		1/2	5 3/4	17 1/8	2 1/4	2 1/4	8 81 sq in	2 84 sq in	528 lbs	616 lbs	704 lbs	
	2-GAC-867-1 0-*		1	7 1/4	2 3/8								
	2-GAC-867-1 5-*		1 1/2	8 3/4	2 7/8								
	2-GAC-867-2 0-*		2	10 1/4	3 3/8								
	2-GAC-867-2 5-*		2 1/2	11 3/4	3 7/8								
	2-GAC-867-3 0-*		3	13 1/4	4 3/8								
2 1/4 Triple Piston	2-GAC-1117-0 5-*		1/2	5 3/4	17 1/8	2 1/2	2 1/4	11 17 sq in	3 67 sq in	670 lbs	781 lbs	893 lbs	
	2-GAC-1117-1 0-*		1	7 1/4	2 3/8								
	2-GAC-1117-1 5-*		1 1/2	8 3/4	2 7/8								
	2-GAC-1117-2 0-*		2	10 1/4	3 3/8								
	2-GAC-1117-2 5-*		2 1/2	11 3/4	3 7/8								
	2-GAC-1117-3 0-*		3	13 1/4	4 3/8								
2 1/2 Triple Piston	2-GAC-1397-0 5-*		1/2	5 3/4	17 1/8	2 3/4	2	14 11 sq in	4 60 sq in	846 lbs	987 lbs	1,128 lbs	
	2-GAC-1397-1 0-*		1	7 1/4	2 3/8								
	2-GAC-1397-1 5-*		1 1/2	8 3/4	2 7/8								
	2-GAC-1397-2 0-*		2	10 1/4	3 3/8								
	2-GAC-1397-2 5-*		2 1/2	11 3/4	3 7/8								
	2-GAC-1397-3 0-*		3	13 1/4	4 3/8								
2 3/4 Triple Piston	2-GAC-1700-0 5-*		1/2	5 3/4	17 1/8	3	1 7/8	17 20 sq in	5 63 sq in	1,032 lbs	1,204 lbs	1,376 lbs	
	2-GAC-1700-1 0-*		1	7 1/4	2 3/8								
	2-GAC-1700-1 5-*		1 1/2	8 3/4	2 7/8								
	2-GAC-1700-2 0-*		2	10 1/4	3 3/8								
	2-GAC-1700-2 5-*		2 1/2	11 3/4	3 7/8								
	2-GAC-1700-3 0-*		3	13 1/4	4 3/8								

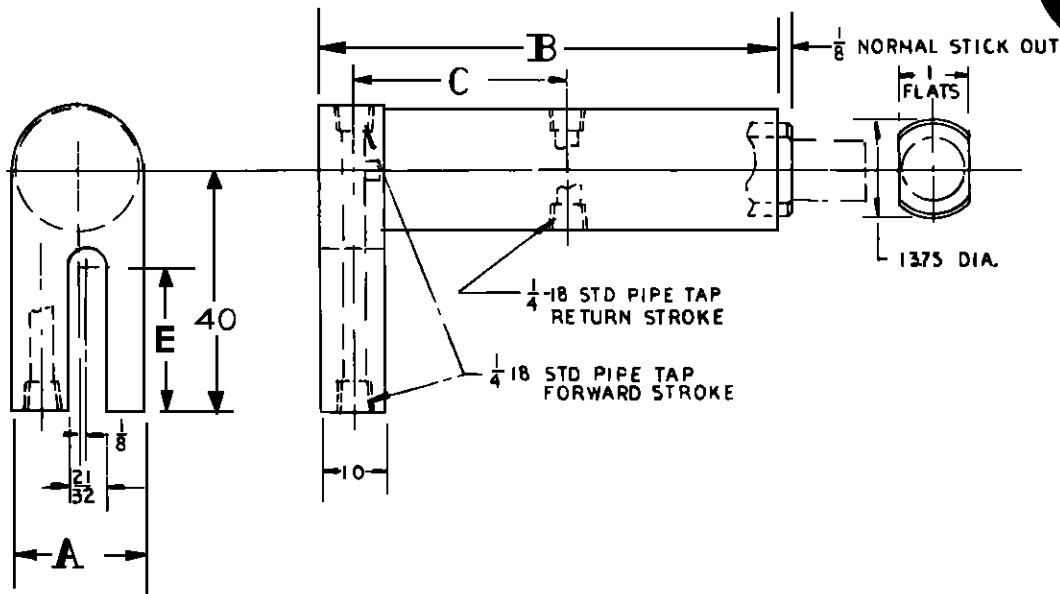
\*NOTE Add piston rod end series number to model no when ordering, such as "1", or "7", etc



For each additional  $\frac{1}{2}$ " of stroke longer than shown, add  $1\frac{1}{2}$ " to dimension B

EXAMPLE OF CODE					TABULATED DIMENSIONS				PISTON AREA		FORCE AT LINE PRESSURE PSI		
mtng style	mfg std	nom sq in area	strk in $\frac{1}{2}$ incr	rod end ser	B	C	D	E	FORWARD	RE-TURN	60	70	80
$2\frac{3}{4}$ — GAC — 640 — 1.5 — See Note*				BORE									
1 $\frac{3}{4}$ Triple Piston		$2\frac{3}{4}$ -GAC-640-0.5-*	$\frac{1}{2}$		$5\frac{3}{4}$	$1\frac{7}{8}$	2	$2\frac{1}{4}$	6.60	2.10	396	462	528
		$2\frac{3}{4}$ -GAC-640-1.0-*	1		$7\frac{1}{4}$	$2\frac{3}{8}$							
		$2\frac{3}{4}$ -GAC-640-1.5-*	$1\frac{1}{2}$		$8\frac{3}{4}$	$2\frac{7}{8}$							
		$2\frac{3}{4}$ -GAC-640-2.0-*	2		$10\frac{1}{4}$	$3\frac{3}{8}$							
		$2\frac{3}{4}$ -GAC-640-2.5-*	$2\frac{1}{2}$		$11\frac{3}{4}$	$3\frac{7}{8}$							
2 Triple Piston		$2\frac{3}{4}$ -GAC-640-3.0-*	3		$13\frac{1}{4}$	$4\frac{3}{8}$	$2\frac{1}{4}$	$2\frac{1}{4}$	8.81	2.84	528	616	704
		$2\frac{3}{4}$ -GAC-867-0.5-*	$\frac{1}{2}$		$5\frac{3}{4}$	$1\frac{7}{8}$							
		$2\frac{3}{4}$ -GAC-867-1.0-*	1		$7\frac{1}{4}$	$2\frac{3}{8}$							
		$2\frac{3}{4}$ -GAC-867-1.5-*	$1\frac{1}{2}$		$8\frac{3}{4}$	$2\frac{7}{8}$							
		$2\frac{3}{4}$ -GAC-867-2.0-*	2		$10\frac{1}{4}$	$3\frac{3}{8}$							
2 $\frac{1}{4}$ Triple Piston		$2\frac{3}{4}$ -GAC-867-2.5-*	$2\frac{1}{2}$		$11\frac{3}{4}$	$3\frac{7}{8}$	$2\frac{1}{2}$	$2\frac{1}{4}$	11.17	3.67	670	781	893
		$2\frac{3}{4}$ -GAC-867-3.0-*	3		$13\frac{1}{4}$	$4\frac{3}{8}$							
		$2\frac{3}{4}$ -GAC-1117-0.5-*	$\frac{1}{2}$		$5\frac{3}{4}$	$1\frac{7}{8}$							
		$2\frac{3}{4}$ -GAC-1117-1.0-*	1		$7\frac{1}{4}$	$2\frac{3}{8}$							
		$2\frac{3}{4}$ -GAC-1117-1.5-*	$1\frac{1}{2}$		$8\frac{3}{4}$	$2\frac{7}{8}$							
2 $\frac{1}{2}$ Triple Piston		$2\frac{3}{4}$ -GAC-1117-2.0-*	2		$10\frac{1}{4}$	$3\frac{3}{8}$	$2\frac{3}{4}$	2	14.11	4.60	846	987	1,128
		$2\frac{3}{4}$ -GAC-1117-2.5-*	$2\frac{1}{2}$		$11\frac{3}{4}$	$3\frac{7}{8}$							
		$2\frac{3}{4}$ -GAC-1117-3.0-*	3		$13\frac{1}{4}$	$4\frac{3}{8}$							
		$2\frac{3}{4}$ -GAC-1397-0.5-*	$\frac{1}{2}$		$5\frac{3}{4}$	$1\frac{7}{8}$							
		$2\frac{3}{4}$ -GAC-1397-1.0-*	1		$7\frac{1}{4}$	$2\frac{3}{8}$							
2 $\frac{3}{4}$ Triple Piston		$2\frac{3}{4}$ -GAC-1397-1.5-*	$1\frac{1}{2}$		$8\frac{3}{4}$	$2\frac{7}{8}$	3	$1\frac{7}{8}$	17.20	5.63	1,032	1,204	1,376
		$2\frac{3}{4}$ -GAC-1397-2.0-*	2		$10\frac{1}{4}$	$3\frac{3}{8}$							
		$2\frac{3}{4}$ -GAC-1397-2.5-*	$2\frac{1}{2}$		$11\frac{3}{4}$	$3\frac{7}{8}$							
		$2\frac{3}{4}$ -GAC-1397-3.0-*	3		$13\frac{1}{4}$	$4\frac{3}{8}$							
		$2\frac{3}{4}$ -GAC-1700-0.5-*	$\frac{1}{2}$		$5\frac{3}{4}$	$1\frac{7}{8}$							
	$2\frac{3}{4}$ -GAC-1700-1.0-*	1		$7\frac{1}{4}$	$2\frac{3}{8}$								
	$2\frac{3}{4}$ -GAC-1700-1.5-*	$1\frac{1}{2}$		$8\frac{3}{4}$	$2\frac{7}{8}$								
	$2\frac{3}{4}$ -GAC-1700-2.0-*	2		$10\frac{1}{4}$	$3\frac{3}{8}$								
	$2\frac{3}{4}$ -GAC-1700-2.5-*	$2\frac{1}{2}$		$11\frac{3}{4}$	$3\frac{7}{8}$								
	$2\frac{3}{4}$ -GAC-1700-3.0-*	3		$13\frac{1}{4}$	$4\frac{3}{8}$								

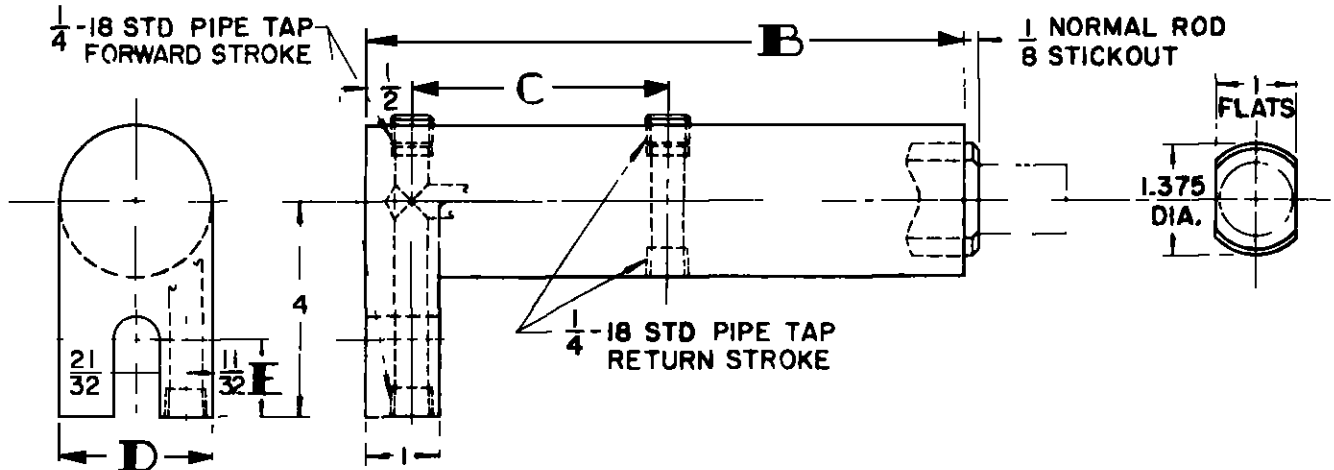
\*NOTE Add piston rod end series number to model no when ordering, such as "1", or "7", etc



For each additional 1/2" of stroke longer than shown, add 1 1/2" to dimension B

EXAMPLE OF CODE					TABULATED DIMENSIONS				PISTON AREA		FORCE AT LINE PRESSURE PSI		
mtng style	mfg std	nom sq in area	strk in 1/2 incr	rod end ser	B	C	D	E	FORWARD	RE-TURN	60	70	80
3A — GAC — 640 — 1.5 — See Note*				BORE									
1 3/4 Triple Piston	3A-GAC-640-0.5-*		1/2	5 3/4	17/8	2	2 1/4	6.60	2.10	396	462	528	
	3A-GAC-640-1.0-*		1	7 1/4	2 3/8								
	3A-GAC-640-1.5-*		1 1/2	8 3/4	2 7/8								
	3A-GAC-640-2.0-*		2	10 1/4	3 3/8								
	3A-GAC-640-2.5-*		2 1/2	11 3/4	3 7/8								
2 Triple Piston	3A-GAC-640-3.0-*		3	13 1/4	4 3/8	2 1/4	2 1/4	8.81	2.84	528	616	704	
	3A-GAC-867-0.5-*		1/2	5 3/4	17/8								
	3A-GAC-867-1.0-*		1	7 1/4	2 3/8								
	3A-GAC-867-1.5-*		1 1/2	8 3/4	2 7/8								
	3A-GAC-867-2.0-*		2	10 1/4	3 3/8								
2 1/4 Triple Piston	3A-GAC-867-2.5-*		2 1/2	11 3/4	3 7/8	2 1/2	2 1/4	11.17	3.67	670	781	893	
	3A-GAC-867-3.0-*		3	13 1/4	4 3/8								
	3A-GAC-1117-0.5-*		1/2	5 3/4	17/8								
	3A-GAC-1117-1.0-*		1	7 1/4	2 3/8								
	3A-GAC-1117-1.5-*		1 1/2	8 3/4	2 7/8								
2 1/2 Triple Piston	3A-GAC-1117-2.0-*		2	10 1/4	3 3/8	2 3/4	2	14.11	4.60	846	987	1,128	
	3A-GAC-1117-2.5-*		2 1/2	11 3/4	3 7/8								
	3A-GAC-1117-3.0-*		3	13 1/4	4 3/8								
	3A-GAC-1397-0.5-*		1/2	5 3/4	17/8								
	3A-GAC-1397-1.0-*		1	7 1/4	2 3/8								
2 3/4 Triple Piston	3A-GAC-1397-1.5-*		1 1/2	8 3/4	2 7/8	3	1 7/8	17.20	5.63	1,032	1,204	1,376	
	3A-GAC-1397-2.0-*		2	10 1/4	3 3/8								
	3A-GAC-1397-2.5-*		2 1/2	11 3/4	3 7/8								
	3A-GAC-1397-3.0-*		3	13 1/4	4 3/8								
	3A-GAC-1700-0.5-*		1/2	5 3/4	17/8								
3A-GAC-1700-1.0-*		1	7 1/4	2 3/8	3	1 7/8	17.20	5.63	1,032	1,204	1,376		
3A-GAC-1700-1.5-*		1 1/2	8 3/4	2 7/8									
3A-GAC-1700-2.0-*		2	10 1/4	3 3/8									
3A-GAC-1700-2.5-*		2 1/2	11 3/4	3 7/8									
3A-GAC-1700-3.0-*		3	13 1/4	4 3/8									

\*NOTE Add piston rod end series number to model no when ordering, such as "1", or "7", etc



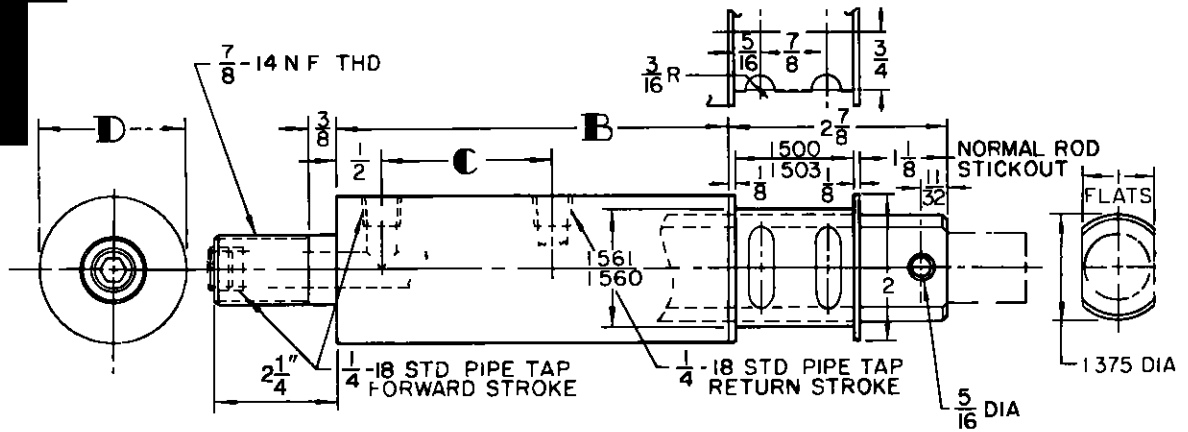
For each additional 1/2" of stroke longer than shown, add 1 1/2" to dimension B

EXAMPLE OF CODE					TABULATED DIMENSIONS				PISTON AREA		FORCE AT LINE PRESSURE PSI		
mtng style	mfg std	nom sq in area	strk in 1/2 incr	rod end ser	B	C	D	E	FORWARD	RE-TURN	60	70	80
3	GAC	640	15	See Note*									
BORE	MODEL NO		STROKE										
1 3/4 Triple Piston	3-GAC-640-0.5-*		1/2	5 3/4	1 7/8	2	2 1/4	6.60 sq in	2.10 sq in	396 lbs	462 lbs	528 lbs	
	3-GAC-640-1.0-*		1	7 1/4	2 3/8								
	3-GAC-640-1.5-*		1 1/2	8 3/4	2 7/8								
	3-GAC-640-2.0-*		2	10 1/4	3 3/8								
	3-GAC-640-2.5-*		2 1/2	11 3/4	3 7/8								
	3-GAC-640-3.0-*		3	13 1/4	4 3/8								
2 Triple Piston	3-GAC-867-0.5-*		1/2	5 3/4	1 7/8	2 1/4	2 1/4	8.81 sq in	2.84 sq in	528 lbs	616 lbs	704 lbs	
	3-GAC-867-1.0-*		1	7 1/4	2 3/8								
	3-GAC-867-1.5-*		1 1/2	8 3/4	2 7/8								
	3-GAC-867-2.0-*		2	10 1/4	3 3/8								
	3-GAC-867-2.5-*		2 1/2	11 3/4	3 7/8								
	3-GAC-867-3.0-*		3	13 1/4	4 3/8								
2 1/4 Triple Piston	3-GAC-1117-0.5-*		1/2	5 3/4	1 7/8	2 1/2	2 1/4	11.17 sq in	3.67 sq in	670 lbs	781 lbs	893 lbs	
	3-GAC-1117-1.0-*		1	7 1/4	2 3/8								
	3-GAC-1117-1.5-*		1 1/2	8 3/4	2 7/8								
	3-GAC-1117-2.0-*		2	10 1/4	3 3/8								
	3-GAC-1117-2.5-*		2 1/2	11 3/4	3 7/8								
	3-GAC-1117-3.0-*		3	13 1/4	4 3/8								
2 1/2 Triple Piston	3-GAC-1397-0.5-*		1/2	5 3/4	1 7/8	2 3/4	2	14.11 sq in	4.60 sq in	846 lbs	987 lbs	1,128 lbs	
	3-GAC-1397-1.0-*		1	7 1/4	2 3/8								
	3-GAC-1397-1.5-*		1 1/2	8 3/4	2 7/8								
	3-GAC-1397-2.0-*		2	10 1/4	3 3/8								
	3-GAC-1397-2.5-*		2 1/2	11 3/4	3 7/8								
	3-GAC-1397-3.0-*		3	13 1/4	4 3/8								
2 3/4 Triple Piston	3-GAC-1700-0.5-*		1/2	5 3/4	1 7/8	3	1 7/8	17.20 sq in	5.63 sq in	1,032 lbs	1,204 lbs	1,376 lbs	
	3-GAC-1700-1.0-*		1	7 1/4	2 3/8								
	3-GAC-1700-1.5-*		1 1/2	8 3/4	2 7/8								
	3-GAC-1700-2.0-*		2	10 1/4	3 3/8								
	3-GAC-1700-2.5-*		2 1/2	11 3/4	3 7/8								
	3-GAC-1700-3.0-*		3	13 1/4	4 3/8								

\*NOTE Add piston rod end series number to model no when ordering, such as "1", or "7", etc



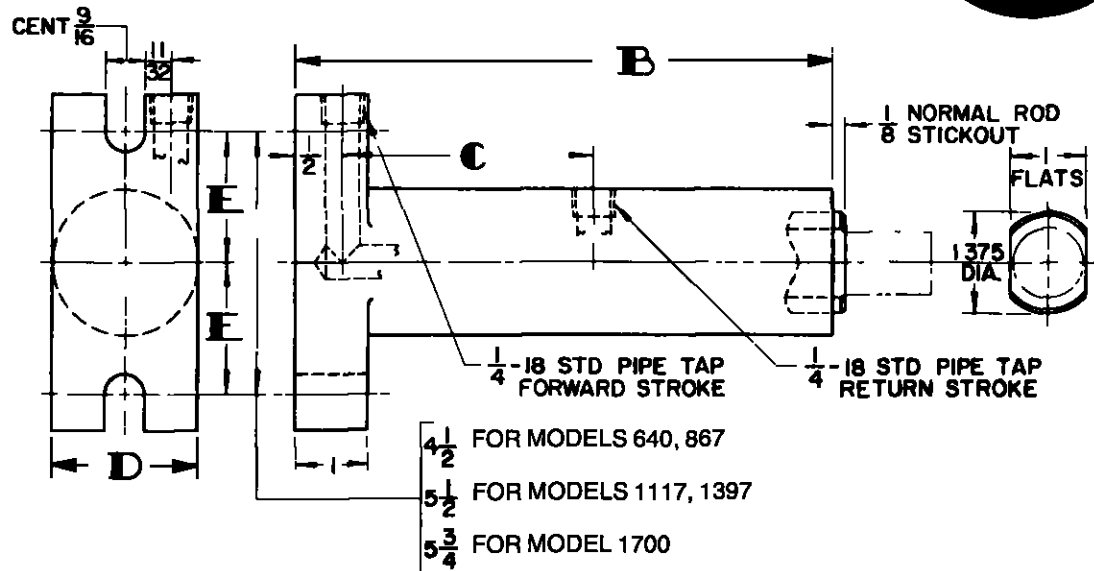




For each additional 1/2" of stroke longer than shown, add 1 1/2" to dimension B

EXAMPLE OF CODE					TABULATED DIMENSIONS				PISTON AREA		FORCE AT LINE PRESSURE PSI		
mfg style	mfg std	nom sq in area	strk in 1/2 incr	rod end ser	B	C	D		FOR- WARD	RE- TURN	60	70	80
5 - GAC - 640 - 1.5 - P*				See Note*									
BORE	MODEL NO		STROKE										
1 3/4 Triple Piston	5-GAC-640-0.5-P-*		1/2	5 3/4	17/8	2			6.60 sq in	2.10 sq in	396 lbs	462 lbs	528 lbs
	5-GAC-640-1.0-P-*		1	7 1/4	2 3/8								
	5-GAC-640-1.5-P-*		1 1/2	8 3/4	2 7/8								
	5-GAC-640-2.0-P-*		2	10 1/4	3 3/8								
	5-GAC-640-2.5-P-*		2 1/2	11 3/4	3 7/8								
2 Triple Piston	5-GAC-867-0.5-P-*		1/2	5 3/4	17/8	2 1/4			8.81 sq in	2.84 sq in	528 lbs	616 lbs	704 lbs
	5-GAC-867-1.0-P-*		1	7 1/4	2 3/8								
	5-GAC-867-1.5-P-*		1 1/2	8 3/4	2 7/8								
	5-GAC-867-2.0-P-*		2	10 1/4	3 3/8								
	5-GAC-867-2.5-P-*		2 1/2	11 3/4	3 7/8								
2 1/4 Triple Piston	5-GAC-1117-0.5-P-*		1/2	5 3/4	17/8	2 1/2			11.17 sq in	3.67 sq in	670 lbs	781 lbs	893 lbs
	5-GAC-1117-1.0-P-*		1	7 1/4	2 3/8								
	5-GAC-1117-1.5-P-*		1 1/2	8 3/4	2 7/8								
	5-GAC-1117-2.0-P-*		2	10 1/4	3 3/8								
	5-GAC-1117-2.5-P-*		2 1/2	11 3/4	3 7/8								
2 1/2 Triple Piston	5-GAC-1397-0.5-P-*		1/2	5 3/4	17/8	2 3/4			14.11 sq in	4.60 sq in	846 lbs	987 lbs	1,128 lbs
	5-GAC-1397-1.0-P-*		1	7 1/4	2 3/8								
	5-GAC-1397-1.5-P-*		1 1/2	8 3/4	2 7/8								
	5-GAC-1397-2.0-P-*		2	10 1/4	3 3/8								
	5-GAC-1397-2.5-P-*		2 1/2	11 3/4	3 7/8								
2 3/4 Triple Piston	5-GAC-1700-0.5-P-*		1/2	5 3/4	17/8	3			17.20 sq in	5.63 sq in	1,032 lbs	1,204 lbs	1,376 lbs
	5-GAC-1700-1.0-P-*		1	7 1/4	2 3/8								
	5-GAC-1700-1.5-P-*		1 1/2	8 3/4	2 7/8								
	5-GAC-1700-2.0-P-*		2	10 1/4	3 3/8								
	5-GAC-1700-2.5-P-*		2 1/2	11 3/4	3 7/8								
3 Triple Piston	5-GAC-2100-0.5-P-*		1/2	5 3/4	17/8	3 1/4			20.45 sq in	6.76 sq in	1,227 lbs	1,431 lbs	1,636 lbs

\*NOTE Add piston rod end series number to model no. when ordering, such as "1", or "7", etc

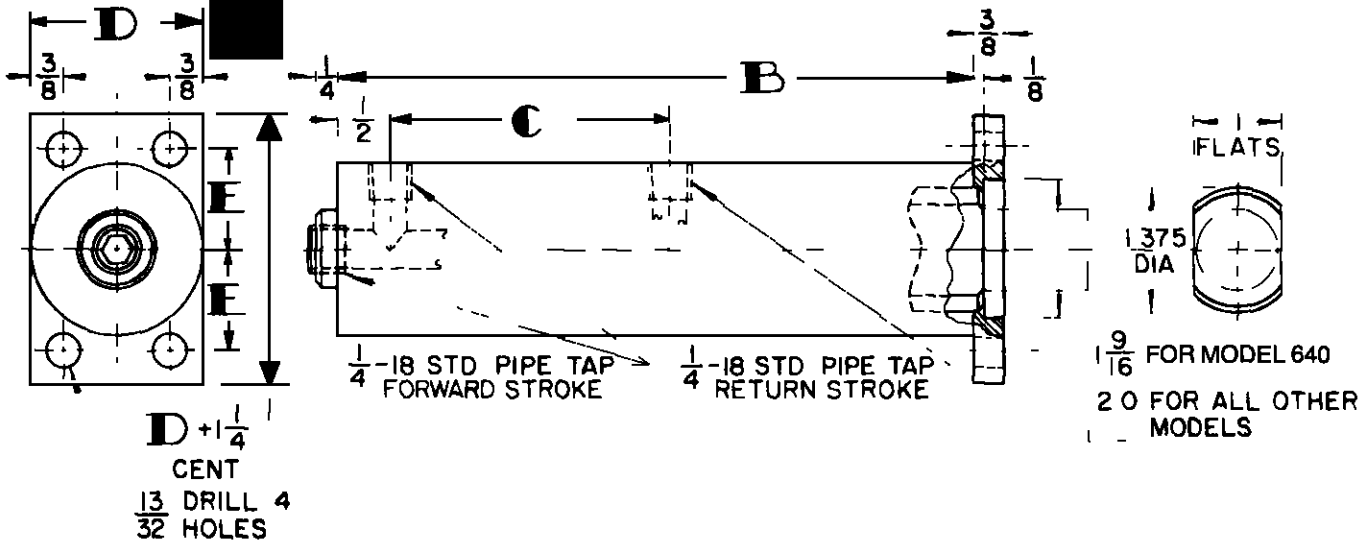


For each additional 1/2" of stroke longer than shown, add 1 1/2" to dimension B

EXAMPLE OF CODE					TABULATED DIMENSIONS				PISTON AREA		FORCE AT LINE PRESSURE PSI		
mtng style	mfg std	nom sq in area	strk in 1/2 incr	rod end ser	B	C	D	E	FORWARD	RE-TURN	60	70	80
6	GAC	640	1.5	See Note*									
BORE	MODEL NO		STROKE										
1 3/4 Triple Piston	6-GAC-640-0.5-*		1/2	5 3/4	17/8	2	1 3/4	6.60 sq in	2.10 sq in	396 lbs	462 lbs	528 lbs	
	6-GAC-640-1.0-*		1	7 1/4	2 3/8								
	6-GAC-640-1.5-*		1 1/2	8 3/4	2 7/8								
	6-GAC-640-2.0-*		2	10 1/4	3 3/8								
	6-GAC-640-2.5-*		2 1/2	11 3/4	3 7/8								
	6-GAC-640-3.0-*		3	13 1/4	4 3/8								
2 Triple Piston	6-GAC-867-0.5-*		1/2	5 3/4	17/8	2 1/4	1 3/4	8.81 sq in	2.84 sq in	528 lbs	616 lbs	704 lbs	
	6-GAC-867-1.0-*		1	7 1/4	2 3/8								
	6-GAC-867-1.5-*		1 1/2	8 3/4	2 7/8								
	6-GAC-867-2.0-*		2	10 1/4	3 3/8								
	6-GAC-867-2.5-*		2 1/2	11 3/4	3 7/8								
	6-GAC-867-3.0-*		3	13 1/4	4 3/8								
2 1/4 Triple Piston	6-GAC-1117-0.5-*		1/2	5 3/4	17/8	2 1/2	2	11.17 sq in	3.67 sq in	670 lbs	781 lbs	893 lbs	
	6-GAC-1117-1.0-*		1	7 1/4	2 3/8								
	6-GAC-1117-1.5-*		1 1/2	8 3/4	2 7/8								
	6-GAC-1117-2.0-*		2	10 1/4	3 3/8								
	6-GAC-1117-2.5-*		2 1/2	11 3/4	3 7/8								
	6-GAC-1117-3.0-*		3	13 1/4	4 3/8								
2 1/2 Triple Piston	6-GAC-1397-0.5-*		1/2	5 3/4	17/8	2 3/4	2	14.11 sq in	4.60 sq in	846 lbs	987 lbs	1,128 lbs	
	6-GAC-1397-1.0-*		1	7 1/4	2 3/8								
	6-GAC-1397-1.5-*		1 1/2	8 3/4	2 7/8								
	6-GAC-1397-2.0-*		2	10 1/4	3 3/8								
	6-GAC-1397-2.5-*		2 1/2	11 3/4	3 7/8								
	6-GAC-1397-3.0-*		3	13 1/4	4 3/8								
2 3/4 Triple Piston	6-GAC-1700-0.5-*		1/2	5 3/4	17/8	3	2 3/16	17.20 sq in	5.63 sq in	1,032 lbs	1,204 lbs	1,376 lbs	
	6-GAC-1700-1.0-*		1	7 1/4	2 3/8								
	6-GAC-1700-1.5-*		1 1/2	8 3/4	2 7/8								
	6-GAC-1700-2.0-*		2	10 1/4	3 3/8								
	6-GAC-1700-2.5-*		2 1/2	11 3/4	3 7/8								
	6-GAC-1700-3.0-*		3	13 1/4	4 3/8								

\*NOTE Add piston rod end series number to model no when ordering, such as "1", or "7", etc

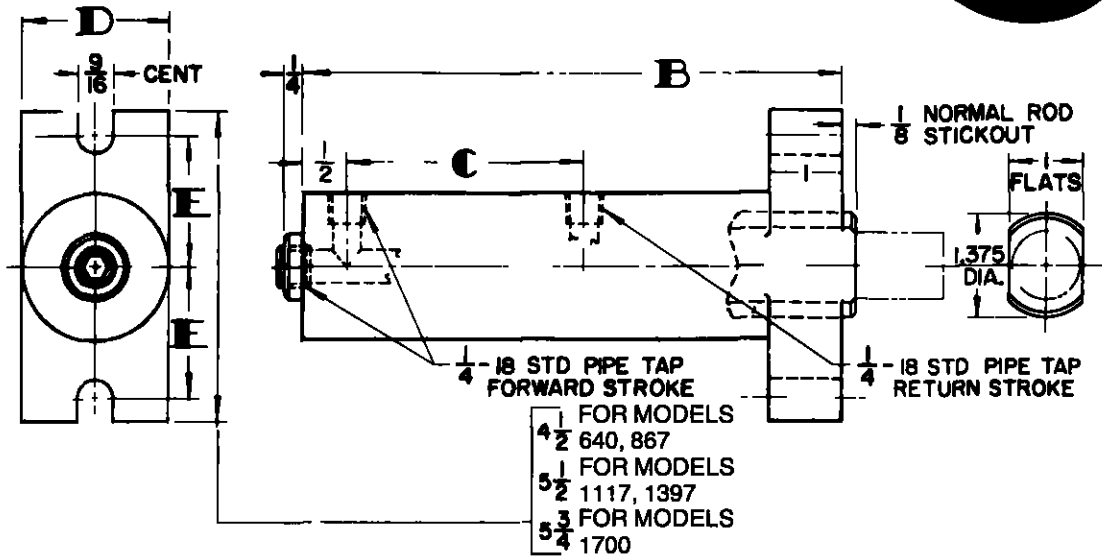
**GROSSEL TOOL COMPANY**



For each additional 1/2" of stroke longer than shown, add 1 1/2" to dimension B

EXAMPLE OF CODE					TABULATED DIMENSIONS				PISTON AREA		FORCE AT LINE PRESSURE PSI		
mtng style	mtng std	nom sq in area	strk in 1/2 incr	rod end ser	B	C	D	E	FOR- WARD	RE- TURN	60	70	80
8C - GAC - 640 - 1.5 - See Note*				BORE									
1 3/4 Triple Piston	8C-GAC-640-0.5*		1/2	5 3/4	17/8	2	1 1/4	6.60 sq in	2.10 sq in	396 lbs	462 lbs	528 lbs	
	8C-GAC-640-1.0*		1	7 1/4	2 3/8								
	8C-GAC-640-1.5*		1 1/2	8 3/4	2 7/8								
	8C-GAC-640-2.0*		2	10 1/4	3 3/8								
	8C-GAC-640-2.5*		2 1/2	11 3/4	3 7/8								
2 Triple Piston	8C-GAC-640-3.0*		3	13 1/4	4 3/8	2 1/4	1 3/8	8.81 sq in	2.84 sq in	528 lbs	616 lbs	704 lbs	
	8C-GAC-867-0.5*		1/2	5 3/4	17/8								
	8C-GAC-867-1.0*		1	7 1/4	2 3/8								
	8C-GAC-867-1.5*		1 1/2	8 3/4	2 7/8								
	8C-GAC-867-2.0*		2	10 1/4	3 3/8								
2 1/4 Triple Piston	8C-GAC-867-2.5*		2 1/2	11 3/4	3 7/8	2 1/2	1 1/2	11.17 sq in	3.67 sq in	670 lbs	781 lbs	893 lbs	
	8C-GAC-867-3.0*		3	13 1/4	4 3/8								
	8C-GAC-1117-0.5*		1/2	5 3/4	17/8								
	8C-GAC-1117-1.0*		1	7 1/4	2 3/8								
	8C-GAC-1117-1.5*		1 1/2	8 3/4	2 7/8								
2 1/2 Triple Piston	8C-GAC-1117-2.0*		2	10 1/4	3 3/8	2 3/4	1 5/8	14.11 sq in	4.60 sq in	846 lbs	987 lbs	1,128 lbs	
	8C-GAC-1117-2.5*		2 1/2	11 3/4	3 7/8								
	8C-GAC-1117-3.0*		3	13 1/4	4 3/8								
	8C-GAC-1397-0.5*		1/2	5 3/4	17/8								
	8C-GAC-1397-1.0*		1	7 1/4	2 3/8								
2 3/4 Triple Piston	8C-GAC-1397-1.5*		1 1/2	8 3/4	2 7/8	3	1 3/4	17.20 sq in	5.63 sq in	1,032 lbs	1,204 lbs	1,376 lbs	
	8C-GAC-1397-2.0*		2	10 1/4	3 3/8								
	8C-GAC-1397-2.5*		2 1/2	11 3/4	3 7/8								
	8C-GAC-1700-0.5*		1/2	5 3/4	17/8								
	8C-GAC-1700-1.0*		1	7 1/4	2 3/8								
8C-GAC-1700-1.5*		1 1/2	8 3/4	2 7/8									
8C-GAC-1700-2.0*		2	10 1/4	3 3/8									
8C-GAC-1700-2.5*		2 1/2	11 3/4	3 7/8									
8C-GAC-1700-3.0*		3	13 1/4	4 3/8									

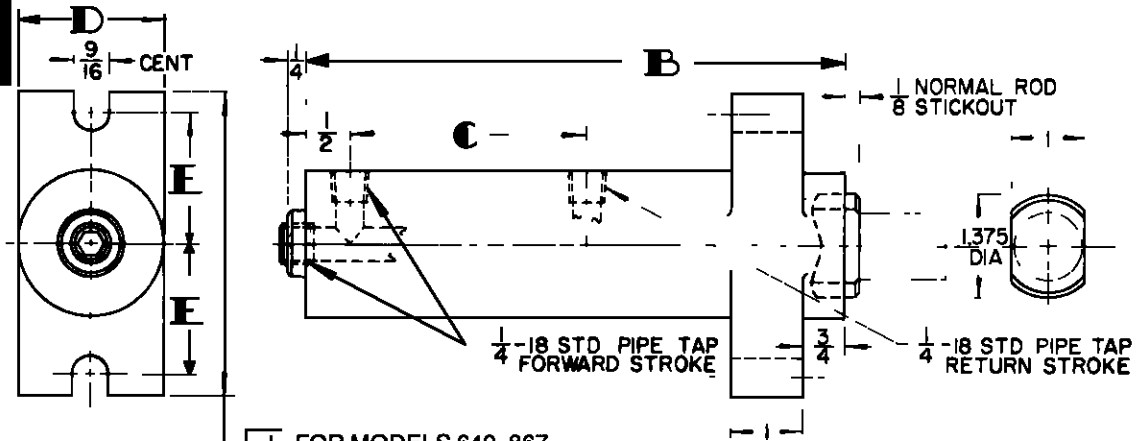
\*NOTE Add piston rod end series number to model no. when ordering, such as "1", or "7", etc



For each additional  $\frac{1}{2}$ " of stroke longer than shown, add  $1\frac{1}{2}$ " to dimension B

EXAMPLE OF CODE					TABULATED DIMENSIONS				PISTON AREA		FORCE AT LINE PRESSURE PSI		
mtng style	mfg std	nom sq in area	strk in $\frac{1}{2}$ incr	rod end ser	B	C	D	E	FOR- WARD	RE- TURN	60	70	80
10 — GAC — 640 — 1.5 — See Note*				BORE									
1 $\frac{3}{4}$ Triple Piston	10-GAC-640-0.5-*		$\frac{1}{2}$	$5\frac{3}{4}$	$17\frac{1}{8}$	2	$13\frac{3}{4}$	6.60 sq in	2.10 sq in	396 lbs	462 lbs	528 lbs	
	10-GAC-640-1.0-*		1	$7\frac{1}{4}$	$23\frac{3}{8}$								
	10-GAC-640-1.5-*		$1\frac{1}{2}$	$8\frac{3}{4}$	$27\frac{1}{8}$								
	10-GAC-640-2.0-*		2	$10\frac{1}{4}$	$33\frac{3}{8}$								
	10-GAC-640-2.5-*		$2\frac{1}{2}$	$11\frac{3}{4}$	$37\frac{1}{8}$								
2 Triple Piston	10-GAC-867-0.5-*		$\frac{1}{2}$	$5\frac{3}{4}$	$17\frac{1}{8}$	$2\frac{1}{4}$	$13\frac{3}{4}$	8.81 sq in	2.84 sq in	528 lbs	616 lbs	704 lbs	
	10-GAC-867-1.0-*		1	$7\frac{1}{4}$	$23\frac{3}{8}$								
	10-GAC-867-1.5-*		$1\frac{1}{2}$	$8\frac{3}{4}$	$27\frac{1}{8}$								
	10-GAC-867-2.0-*		2	$10\frac{1}{4}$	$33\frac{3}{8}$								
	10-GAC-867-2.5-*		$2\frac{1}{2}$	$11\frac{3}{4}$	$37\frac{1}{8}$								
2 $\frac{1}{4}$ Triple Piston	10-GAC-1117-0.5-*		$\frac{1}{2}$	$5\frac{3}{4}$	$17\frac{1}{8}$	$2\frac{1}{2}$	2	11.17 sq in	3.67 sq in	670 lbs	781 lbs	893 lbs	
	10-GAC-1117-1.0-*		1	$7\frac{1}{4}$	$23\frac{3}{8}$								
	10-GAC-1117-1.5-*		$1\frac{1}{2}$	$8\frac{3}{4}$	$27\frac{1}{8}$								
	10-GAC-1117-2.0-*		2	$10\frac{1}{4}$	$33\frac{3}{8}$								
	10-GAC-1117-2.5-*		$2\frac{1}{2}$	$11\frac{3}{4}$	$37\frac{1}{8}$								
2 $\frac{1}{2}$ Triple Piston	10-GAC-1397-0.5-*		$\frac{1}{2}$	$5\frac{3}{4}$	$17\frac{1}{8}$	$2\frac{3}{4}$	2	14.11 sq in	4.60 sq in	846 lbs	987 lbs	1,128 lbs	
	10-GAC-1397-1.0-*		1	$7\frac{1}{4}$	$23\frac{3}{8}$								
	10-GAC-1397-1.5-*		$1\frac{1}{2}$	$8\frac{3}{4}$	$27\frac{1}{8}$								
	10-GAC-1397-2.0-*		2	$10\frac{1}{4}$	$33\frac{3}{8}$								
	10-GAC-1397-2.5-*		$2\frac{1}{2}$	$11\frac{3}{4}$	$37\frac{1}{8}$								
2 $\frac{3}{4}$ Triple Piston	10-GAC-1700-0.5-*		$\frac{1}{2}$	$5\frac{3}{4}$	$17\frac{1}{8}$	3	$2\frac{3}{16}$	17.20 sq in	5.63 sq in	1,032 lbs	1,204 lbs	1,376 lbs	
	10-GAC-1700-1.0-*		1	$7\frac{1}{4}$	$23\frac{3}{8}$								
	10-GAC-1700-1.5-*		$1\frac{1}{2}$	$8\frac{3}{4}$	$27\frac{1}{8}$								
	10-GAC-1700-2.0-*		2	$10\frac{1}{4}$	$33\frac{3}{8}$								
	10-GAC-1700-2.5-*		$2\frac{1}{2}$	$11\frac{3}{4}$	$37\frac{1}{8}$								
10-GAC-1700-3.0-*		3	$13\frac{1}{4}$	$43\frac{3}{8}$									

\*NOTE Add piston rod end series number to model no. when ordering, such as "1", or "7", etc

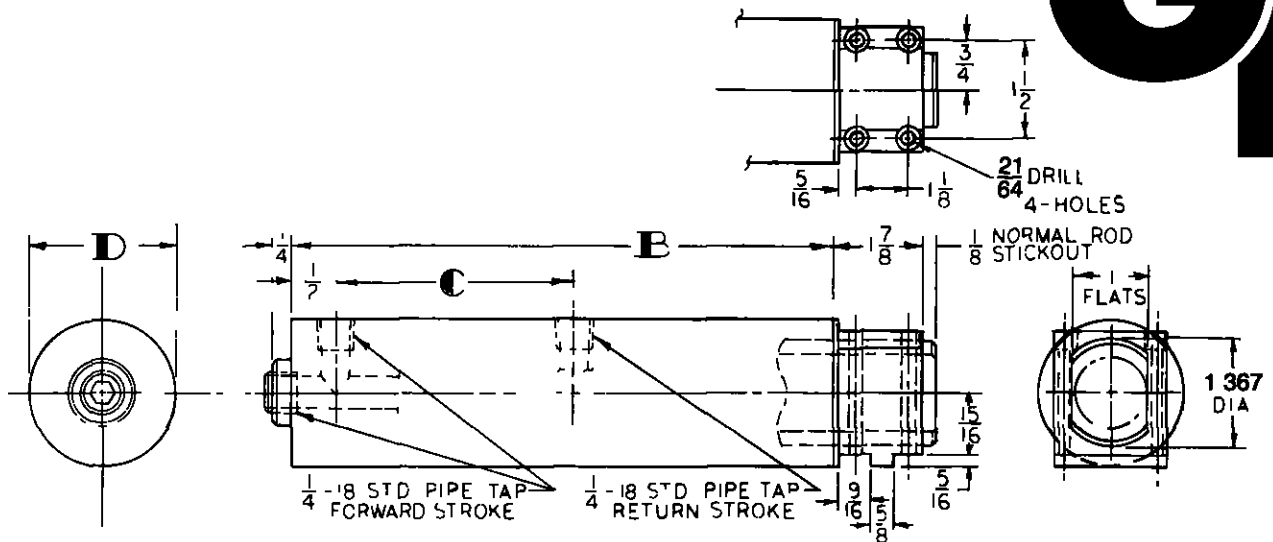


- 4 1/2 FOR MODELS 640, 867
- 5 1/2 FOR MODELS 1117, 1397
- 5 3/4 FOR MODEL 1700

For each additional 1/2" of stroke longer than shown, add 1 1/2" to dimension B

EXAMPLE OF CODE					TABULATED DIMENSIONS				PISTON AREA		FORCE AT LINE PRESSURE PSI		
mntg style	mfg std	nom sq in area	strk in 1/2 incr	rod end ser	B	C	D	E	FOR- WARD	RE- TURN	60	70	80
10 3/4	GAC	640	1.5	See Note*									
BORE	MODEL NO		STROKE										
1 3/4 Triple Piston	10 3/4-GAC-640-0.5-*		1/2	5 3/4	17/8	2	1 3/4	6.60 sq in	2.10 sq in	396 lbs	462 lbs	528 lbs	
	10 3/4-GAC-640-1.0-*		1	7 1/4	2 3/8								
	10 3/4-GAC-640-1.5-*		1 1/2	8 3/4	2 7/8								
	10 3/4-GAC-640-2.0-*		2	10 1/4	3 3/8								
	10 3/4-GAC-640-2.5-*		2 1/2	11 3/4	3 7/8								
2 Triple Piston	10 3/4-GAC-867-0.5-*		1/2	5 3/4	17/8	2 1/4	1 3/4	8.81 sq in	2.84 sq in	528 lbs	616 lbs	704 lbs	
	10 3/4-GAC-867-1.0-*		1	7 1/4	2 3/8								
	10 3/4-GAC-867-1.5-*		1 1/2	8 3/4	2 7/8								
	10 3/4-GAC-867-2.0-*		2	10 1/4	3 3/8								
	10 3/4-GAC-867-2.5-*		2 1/2	11 3/4	3 7/8								
2 1/4 Triple Piston	10 3/4-GAC-1117-0.5-*		1/2	5 3/4	17/8	2 1/2	2	11.17 sq in	3.67 sq in	670 lbs	781 lbs	893 lbs	
	10 3/4-GAC-1117-1.0-*		1	7 1/4	2 3/8								
	10 3/4-GAC-1117-1.5-*		1 1/2	8 3/4	2 7/8								
	10 3/4-GAC-1117-2.0-*		2	10 1/4	3 3/8								
	10 3/4-GAC-1117-2.5-*		2 1/2	11 3/4	3 7/8								
2 1/2 Triple Piston	10 3/4-GAC-1397-0.5-*		1/2	5 3/4	17/8	2 3/4	2	14.11 sq in	4.60 sq in	846 lbs	987 lbs	1,128 lbs	
	10 3/4-GAC-1397-1.0-*		1	7 1/4	2 3/8								
	10 3/4-GAC-1397-1.5-*		1 1/2	8 3/4	2 7/8								
	10 3/4-GAC-1397-2.0-*		2	10 1/4	3 3/8								
	10 3/4-GAC-1397-2.5-*		2 1/2	11 3/4	3 7/8								
2 3/4 Triple Piston	10 3/4-GAC-1700-0.5-*		1/2	5 3/4	17/8	3	2 3/16	17.20 sq in	5.63 sq in	1,032 lbs	1,204 lbs	1,376 lbs	
	10 3/4-GAC-1700-1.0-*		1	7 1/4	2 3/8								
	10 3/4-GAC-1700-1.5-*		1 1/2	8 3/4	2 7/8								
	10 3/4-GAC-1700-2.0-*		2	10 1/4	3 3/8								
	10 3/4-GAC-1700-2.5-*		2 1/2	11 3/4	3 7/8								
10 3/4-GAC-1700-3.0-*		3	13 1/4	4 3/8									

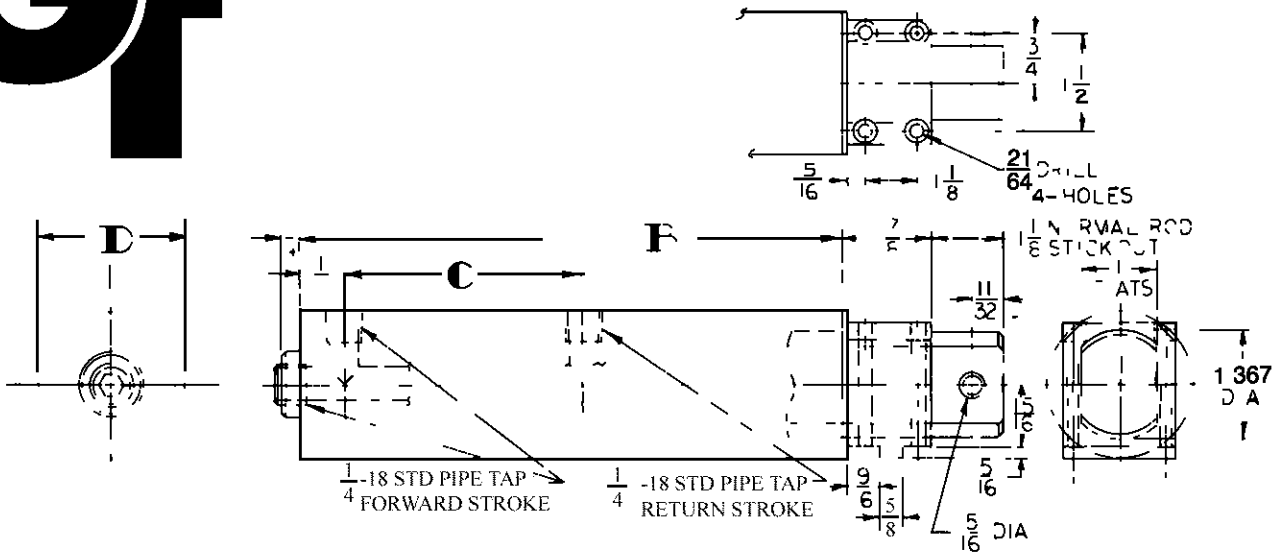
\*NOTE Add piston rod end series number to model no. when ordering, such as "1", or "7", etc



For each additional 1/2" of stroke longer than shown, add 1 1/2" to dimension B

EXAMPLE OF CODE					TABULATED DIMENSIONS				PISTON AREA		FORCE AT LINE PRESSURE PSI		
mntg style	mfg std	nom sq in area	strk in 1/2 Incr	rod end ser	B	C	D		FORWARD	RE-TURN	60	70	80
13HI	GAC	640	1.5	See Note*									
BORE		MODEL NO		STROKE									
1 3/4 Triple Piston	13HI-GAC-640-0.5-*		1/2	5 3/4	17/8	2			6.60 sq in	2.10 sq in	396 lbs	462 lbs	528 lbs
	13HI-GAC-640-1.0-*		1	7 1/4	2 3/8								
	13HI-GAC-640-1.5-*		1 1/2	8 3/4	2 7/8								
	13HI-GAC-640-2.0-*		2	10 1/4	3 3/8								
	13HI-GAC-640-2.5-*		2 1/2	11 3/4	3 7/8								
2 Triple Piston	13HI-GAC-640-3.0-*		3	13 1/4	4 3/8	2 1/4			8.81 sq in	2.84 sq in	528 lbs	616 lbs	704 lbs
	13HI-GAC-867-0.5-*		1/2	5 3/4	17/8								
	13HI-GAC-867-1.0-*		1	7 1/4	2 3/8								
	13HI-GAC-867-1.5-*		1 1/2	8 3/4	2 7/8								
	13HI-GAC-867-2.0-*		2	10 1/4	3 3/8								
2 1/4 Triple Piston	13HI-GAC-867-2.5-*		2 1/2	11 3/4	3 7/8	2 1/2			11.17 sq in	3.67 sq in	670 lbs	781 lbs	893 lbs
	13HI-GAC-867-3.0-*		3	13 1/4	4 3/8								
	13HI-GAC-1117-0.5-*		1/2	5 3/4	17/8								
	13HI-GAC-1117-1.0-*		1	7 1/4	2 3/8								
	13HI-GAC-1117-1.5-*		1 1/2	8 3/4	2 7/8								
2 1/2 Triple Piston	13HI-GAC-1117-2.0-*		2	10 1/4	3 3/8	2 3/4			14.11 sq in	4.60 sq in	846 lbs	987 lbs	1,128 lbs
	13HI-GAC-1117-2.5-*		2 1/2	11 3/4	3 7/8								
	13HI-GAC-1117-3.0-*		3	13 1/4	4 3/8								
	13HI-GAC-1397-0.5-*		1/2	5 3/4	17/8								
	13HI-GAC-1397-1.0-*		1	7 1/4	2 3/8								
2 3/4 Triple Piston	13HI-GAC-1397-1.5-*		1 1/2	8 3/4	2 7/8	3			17.20 sq in	5.63 sq in	1,032 lbs	1,204 lbs	1,376 lbs
	13HI-GAC-1397-2.0-*		2	10 1/4	3 3/8								
	13HI-GAC-1397-2.5-*		2 1/2	11 3/4	3 7/8								
	13HI-GAC-1397-3.0-*		3	13 1/4	4 3/8								
	13HI-GAC-1700-0.5-*		1/2	5 3/4	17/8								
3 Triple Piston	13HI-GAC-1700-1.0-*		1	7 1/4	2 3/8	3 1/4			20.45 sq in	6.76 sq in	1,227 lbs	1,431 lbs	1,636 lbs
	13HI-GAC-1700-1.5-*		1 1/2	8 3/4	2 7/8								
	13HI-GAC-1700-2.0-*		2	10 1/4	3 3/8								
	13HI-GAC-1700-2.5-*		2 1/2	11 3/4	3 7/8								
	13HI-GAC-1700-3.0-*		3	13 1/4	4 3/8								
13HI-GAC-2100-0.5-*		1/2	5 3/4	17/8									

\*NOTE Add piston rod end series number to model no. when ordering, such as "1", or "7", etc



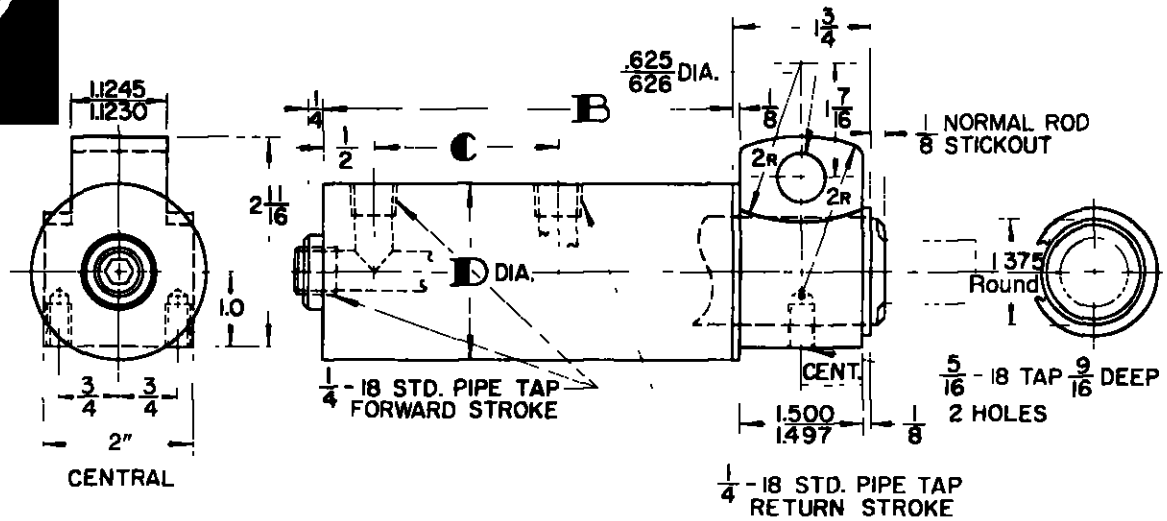
For each additional 1/2" of stroke longer than shown, add 1 1/2" to dimension B

EXAMPLE OF CODE					TABULATED DIMENSIONS			PISTON AREA		FORCE AT LINE PRESSURE PSI		
mtng style	mfg std	nom sq in area	strk in 1/2 incr	rod end ser	B	C	D	FORWARD	RE-TURN	80	70	80
13HI — GAC — 640 — 1.5 — P*				See Note*								
BORE		MODEL NO		STROKE								
1 3/4 Triple Piston	13HI-GAC-640-0.5-P*		1/2	5 3/4	17/8	2	6.60 sq in	2.10 sq in	396 lbs	462 lbs	528 lbs	
	13HI-GAC-640-1.0-P*		1	7 1/4	2 3/8							
	13HI-GAC-640-1.5-P*		1 1/2	8 3/4	2 7/8							
	13HI-GAC-640-2.0-P*		2	10 1/4	3 3/8							
	13HI-GAC-640-2.5-P*		2 1/2	11 3/4	3 7/8							
2 Triple Piston	13HI-GAC-867-0.5-P*		1/2	5 3/4	17/8	2 1/4	8.81 sq in	2.84 sq in	528 lbs	616 lbs	704 lbs	
	13HI-GAC-867-1.0-P*		1	7 1/4	2 3/8							
	13HI-GAC-867-1.5-P*		1 1/2	8 3/4	2 7/8							
	13HI-GAC-867-2.0-P*		2	10 1/4	3 3/8							
	13HI-GAC-867-2.5-P*		2 1/2	11 3/4	3 7/8							
2 1/4 Triple Piston	13HI-GAC-1117-0.5-P*		1/2	5 3/4	17/8	2 1/2	11.17 sq in	3.67 sq in	670 lbs	781 lbs	893 lbs	
	13HI-GAC-1117-1.0-P*		1	7 1/4	2 3/8							
	13HI-GAC-1117-1.5-P*		1 1/2	8 3/4	2 7/8							
	13HI-GAC-1117-2.0-P*		2	10 1/4	3 3/8							
	13HI-GAC-1117-2.5-P*		2 1/2	11 3/4	3 7/8							
2 1/2 Triple Piston	13HI-GAC-1397-0.5-P*		1/2	5 3/4	17/8	2 3/4	14.11 sq in	4.60 sq in	846 lbs	987 lbs	1,128 lbs	
	13HI-GAC-1397-1.0-P*		1	7 1/4	2 3/8							
	13HI-GAC-1397-1.5-P*		1 1/2	8 3/4	2 7/8							
	13HI-GAC-1397-2.0-P*		2	10 1/4	3 3/8							
	13HI-GAC-1397-2.5-P*		2 1/2	11 3/4	3 7/8							
2 3/4 Triple Piston	13HI-GAC-1700-0.5-P*		1/2	5 3/4	17/8	3	17.20 sq in	5.63 sq in	1,032 lbs	1,204 lbs	1,376 lbs	
	13HI-GAC-1700-1.0-P*		1	7 1/4	2 3/8							
	13HI-GAC-1700-1.5-P*		1 1/2	8 3/4	2 7/8							
	13HI-GAC-1700-2.0-P*		2	10 1/4	3 3/8							
	13HI-GAC-1700-2.5-P*		2 1/2	11 3/4	3 7/8							
3 Triple Piston	13HI-GAC-2100-0.5-P*		1/2	5 3/4	17/8	3 1/4	20.45 sq in	6.76 sq in	1,227 lbs	1,431 lbs	1,636 lbs	

\*NOTE Add piston rod end series number to model no. when ordering, such as "1", or "7", etc







For each additional 1/2" of stroke longer than shown, add 1 1/2" to dimension B.

EXAMPLE OF CODE					TABULATED DIMENSIONS				PISTON AREA		FORCE AT LINE PRESSURE PSI		
mtng. style	mfg. std.	nom. sq. in. area	strk. in 1/2 incr.	rod end ser.	B	C	D		FOR- WARD	RE- TURN	60	70	80
20B - GAC - 640 - 1.5 - See Note*				BORE									
1 3/4 Triple Piston	20B-GAC-640-0.5-*		1/2	5 3/4	1 7/8	2			6.60 sq. in.	2.10 sq. in.	396 lbs.	462 lbs.	528 lbs.
	20B-GAC-640-1.0-*		1	7 1/4	2 3/8								
	20B-GAC-640-1.5-*		1 1/2	8 3/4	2 7/8								
	20B-GAC-640-2.0-*		2	10 1/4	3 3/8								
	20B-GAC-640-2.5-*		2 1/2	11 3/4	3 7/8								
2 Triple Piston	20B-GAC-640-3.0-*		3	13 1/4	4 3/8	2 1/4			8.81 sq. in.	2.84 sq. in.	528 lbs.	616 lbs.	704 lbs.
	20B-GAC-867-0.5-*		1/2	5 3/4	1 7/8								
	20B-GAC-867-1.0-*		1	7 1/4	2 3/8								
	20B-GAC-867-1.5-*		1 1/2	8 3/4	2 7/8								
	20B-GAC-867-2.0-*		2	10 1/4	3 3/8								
2 1/4 Triple Piston	20B-GAC-867-2.5-*		2 1/2	11 3/4	3 7/8	2 1/2			11.17 sq. in.	3.67 sq. in.	670 lbs.	781 lbs.	893 lbs.
	20B-GAC-867-3.0-*		3	13 1/4	4 3/8								
	20B-GAC-1117-0.5-*		1/2	5 3/4	1 7/8								
	20B-GAC-1117-1.0-*		1	7 1/4	2 3/8								
	20B-GAC-1117-1.5-*		1 1/2	8 3/4	2 7/8								
2 1/2 Triple Piston	20B-GAC-1117-2.0-*		2	10 1/4	3 3/8	2 3/4			14.11 sq. in.	4.60 sq. in.	846 lbs.	987 lbs.	1,128 lbs.
	20B-GAC-1117-2.5-*		2 1/2	11 3/4	3 7/8								
	20B-GAC-1117-3.0-*		3	13 1/4	4 3/8								
	20B-GAC-1397-0.5-*		1/2	5 3/4	1 7/8								
	20B-GAC-1397-1.0-*		1	7 1/4	2 3/8								
2 3/4 Triple Piston	20B-GAC-1397-1.5-*		1 1/2	8 3/4	2 7/8	3			17.20 sq. in.	5.63 sq. in.	1,032 lbs.	1,204 lbs.	1,376 lbs.
	20B-GAC-1397-2.0-*		2	10 1/4	3 3/8								
	20B-GAC-1397-2.5-*		2 1/2	11 3/4	3 7/8								
	20B-GAC-1397-3.0-*		3	13 1/4	4 3/8								
	20B-GAC-1700-0.5-*		1/2	5 3/4	1 7/8								
3 Triple Piston	20B-GAC-1700-1.0-*		1	7 1/4	2 3/8	3 1/4			20.45 sq. in.	6.76 sq. in.	1,227 lbs.	1,431 lbs.	1,636 lbs.
	20B-GAC-1700-1.5-*		1 1/2	8 3/4	2 7/8								
	20B-GAC-1700-2.0-*		2	10 1/4	3 3/8								
	20B-GAC-1700-2.5-*		2 1/2	11 3/4	3 7/8								
	20B-GAC-1700-3.0-*		3	13 1/4	4 3/8								
	20B-GAC-2100-0.5-*		1/2	5 3/4	1 7/8								

\*NOTE: Add piston rod end series number to model no. when ordering, such as "1", or "7", etc.